

BURNHAM®

Commercial Boilers

LEGEND CONNECTIONS

- A = 4" FLANGED SUPPLY (300#)
- B = 1-1/2" RETURN
- C = 3" x 4" HANDHOLE
- D = 1" WATER COLUMN
- E = 3/4" AQUASTAT
- F = 2" BOTTOM BLOWDOWN
- G = 2" SURFACE BLOWOFF
- H = 2" AUXILIARY CONNECTION
- J = 1-1/2" SAFETY VALVE (2)
- K = 12" x 16" MANHOLE
- L = 16" NOMINAL FLUE DIAMETER

RATINGS AND DATA

Shell Diameter : 66"
 Gross Output - BHP : 125
 Gross Output - MBH : 4184
 Gross Output - Lbs/Hr : 4312
 Net Rating - MBH : 3248
 Net Rating - Sq. Ft. : 13533
 Safety Valve - Lbs/Hr. : 4882

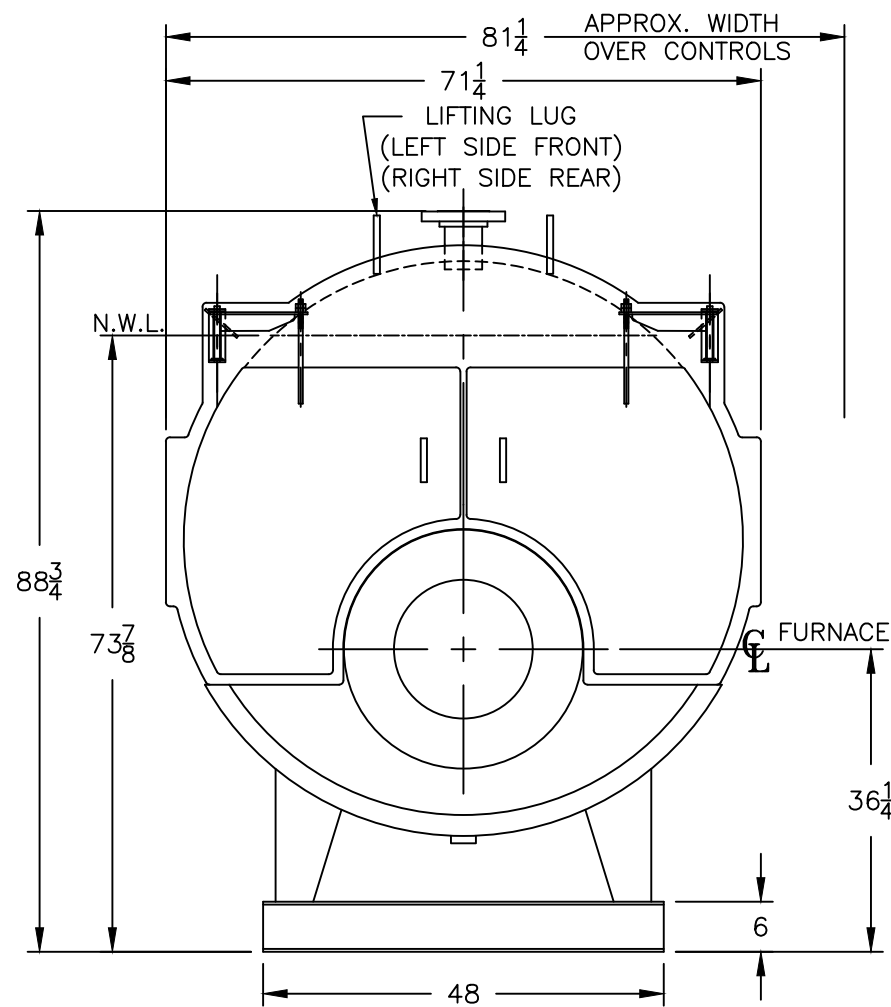
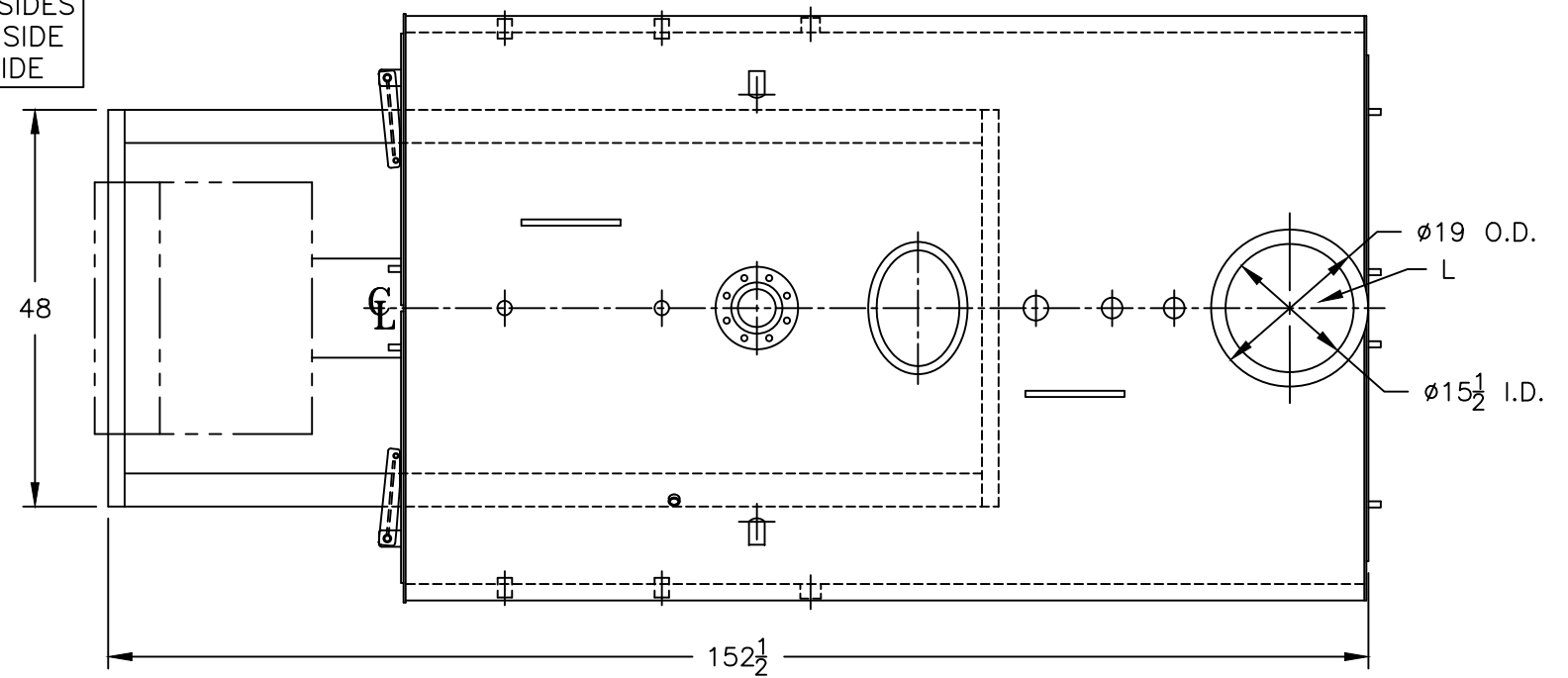
Heating Surface - Sq. Ft.
 Fireside - 625
 Firetubes
 Number - 182
 Diameter - 2" O.D.

Firing Rate
 1000 BTU Gas (MBH) - 5230
 140000 BTU/Gal Oil (GPH) - 35.7
 150000 BTU/Gal Oil (GPH) - 33.3

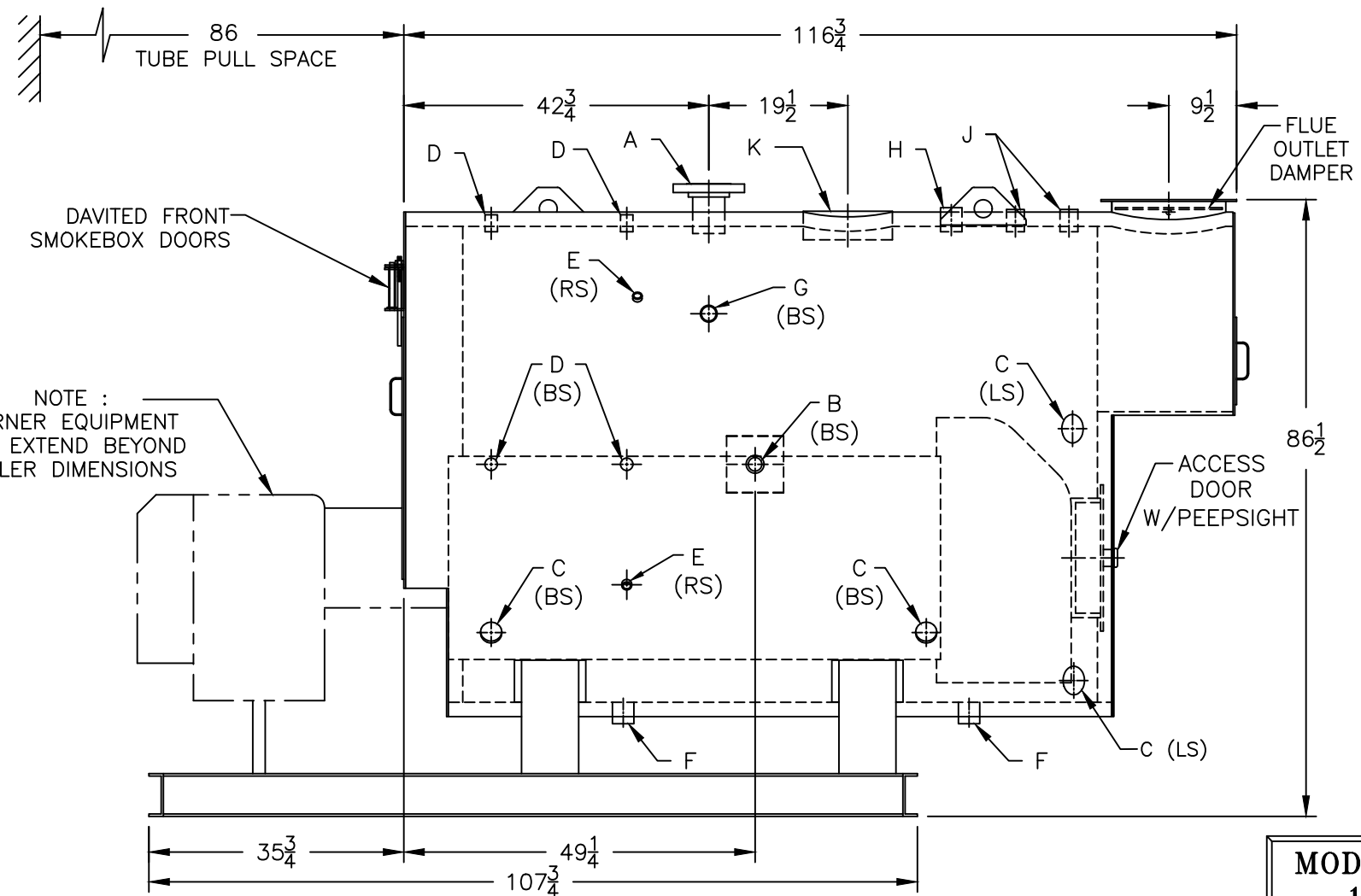
Water Content
 Pounds - 5807
 Gallons (U.S.) - 697
 Approximate Weight/LBS.
 Dry - 9500
 Wet - 15307

LEGEND

- BS = BOTH SIDES
- RS = RIGHT SIDE
- LS = LEFT SIDE



PROJECT: STANDARD BOILER



NOTE :
 BURNER EQUIPMENT
 MAY EXTEND BEYOND
 BOILER DIMENSIONS

MODEL 3P-125
125 BHP
150 PSI STEAM

SPECIFICATIONS SUBJECT TO CHANGE WITHOUT NOTICE ALL CONNECTIONS ARE THREADED UNLESS OTHERWISE SPECIFIED

THIS DOCUMENT CONTAINS CONFIDENTIAL INFORMATION WHICH IS THE PROPERTY OF BURNHAM COMMERCIAL. THIS DOCUMENT MAY NOT BE REPRODUCED, TRANSFERRED OR USED, OR ITS CONTENTS DISCLOSED, WITHOUT THE WRITTEN PERMISSION OF THE OWNER.