

BURNHAM®

Commercial Boilers

LEGEND CONNECTIONS

- A = 4" FLANGED SUPPLY (300#)
- B = 1-1/2" RETURN
- C = 3" x 4" HANDHOLE
- D = 1" WATER COLUMN
- E = 3/4" AQUASTAT
- F = 2" BOTTOM BLOWDOWN
- G = 2" SURFACE BLOWOFF
- H = 2" AUXILIARY CONNECTION
- J = 2" SAFETY VALVE
- 1-1/4" SAFETY VALVE
- K = 12" x 16" MANHOLE
- L = 16" NOMINAL FLUE DIAMETER

RATINGS AND DATA

Shell Diameter : 66"
 Gross Output - BHP : 150
 Gross Output - MBH : 5021
 Gross Output - Lbs/Hr : 5175
 Net Rating - MBH : 3898
 Net Rating - Sq. Ft. : 16242
 Safety Valve - Lbs/Hr. : 5858

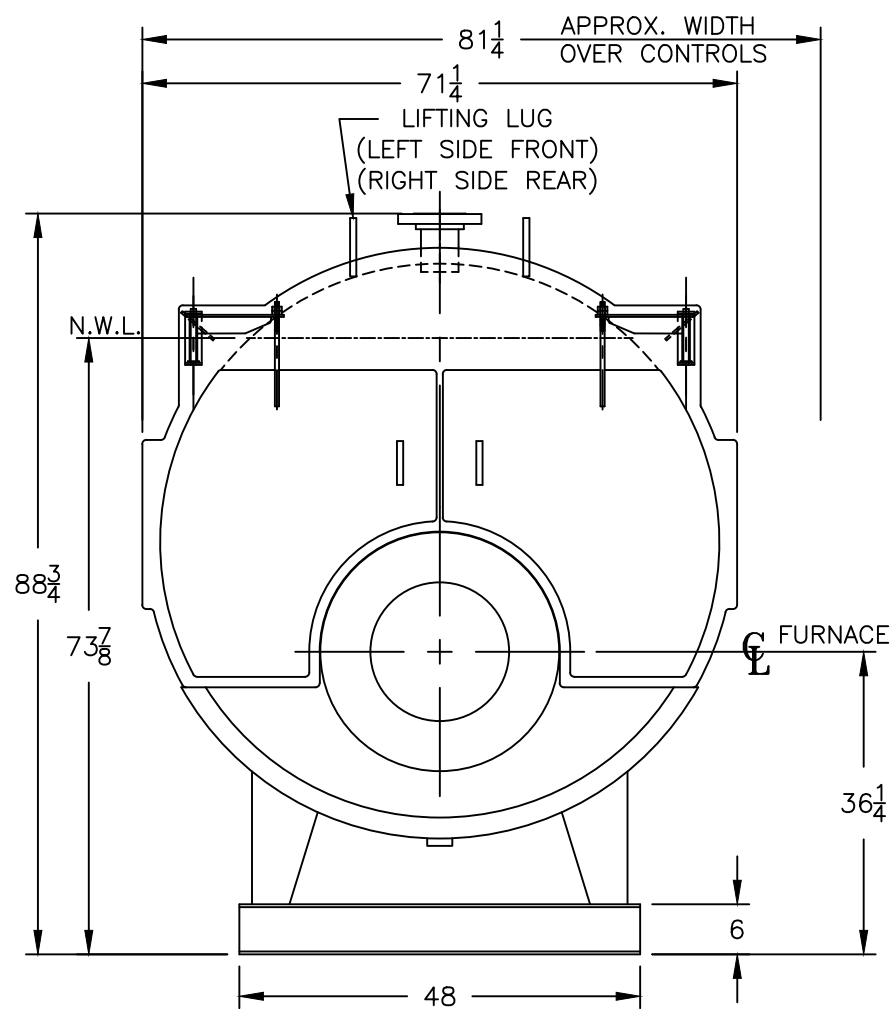
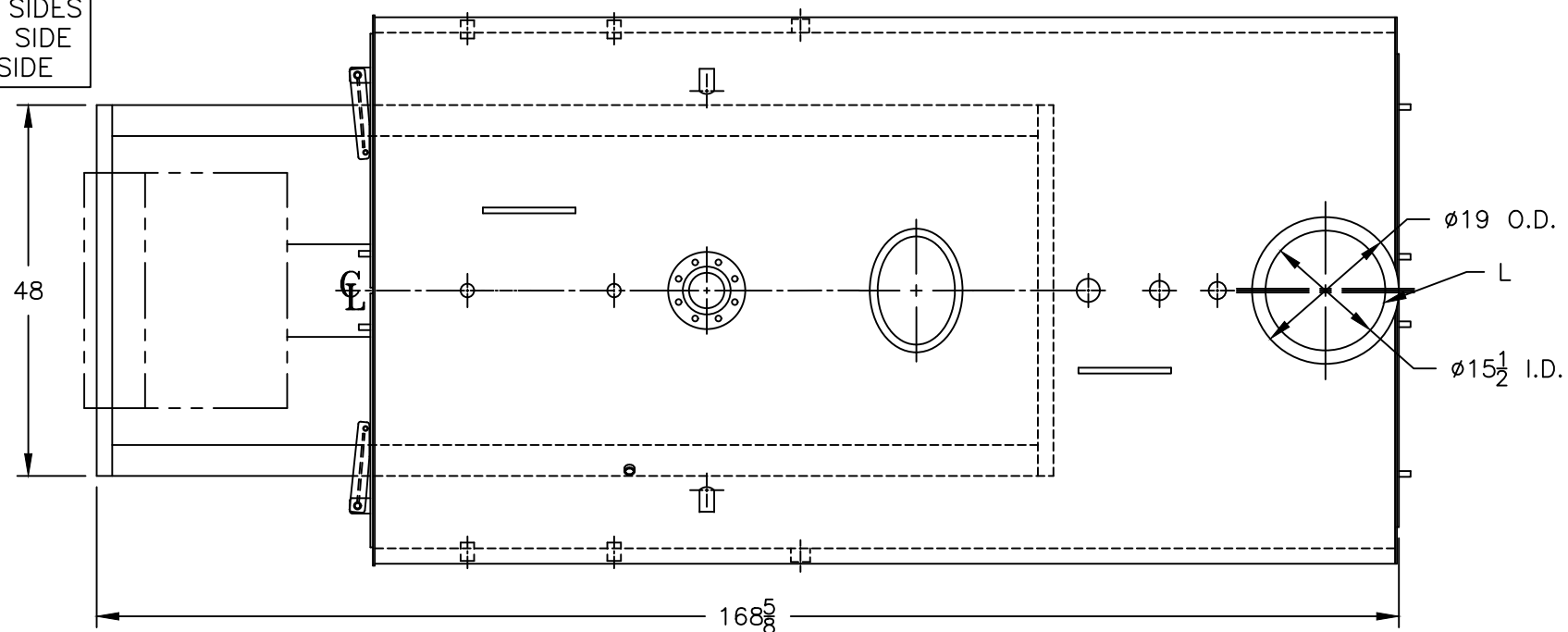
Heating Surface - Sq. Ft.
 Fireside - 750
 Firetubes
 Number - 182
 Diameter - 2" O.D.

Firing Rate
 1000 BTU Gas (MBH) - 6277
 140000 BTU/Gal Oil (GPH) - 43.1
 150000 BTU/Gal Oil (GPH) - 40.2

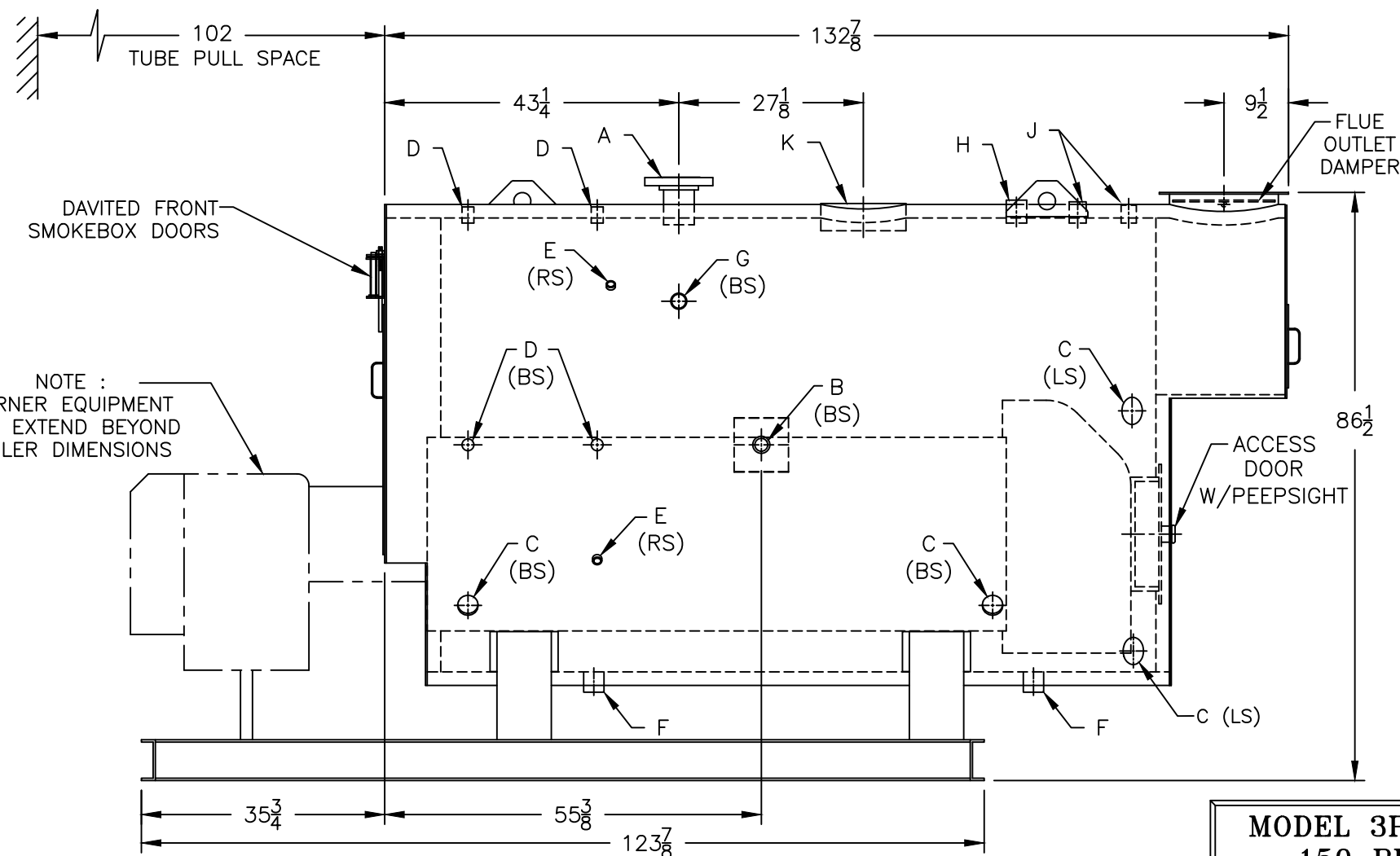
Water Content
 Pounds - 6943
 Gallons (U.S.) - 833
 Approximate Weight/LBS.
 Dry - 10600
 Wet - 17543

LEGEND

- BS = BOTH SIDES
- RS = RIGHT SIDE
- LS = LEFT SIDE



PROJECT: STANDARD BOILER



NOTE :
 BURNER EQUIPMENT
 MAY EXTEND BEYOND
 BOILER DIMENSIONS

MODEL 3P-150
150 BHP
150 PSI STEAM