

PROJECT: STANDARD BOILER

BURNHAM®
Commercial Boilers

RATINGS AND DATA

Shell Diameter : 66"
Gross Output - BHP : 200
Gross Output - MBH : 6695
Gross Output - Lbs/Hr : 6900
Net Rating - MBH : 5198
Net Rating - Sq. Ft. : 21658
Safety Valve - Lbs/Hr. : 7810

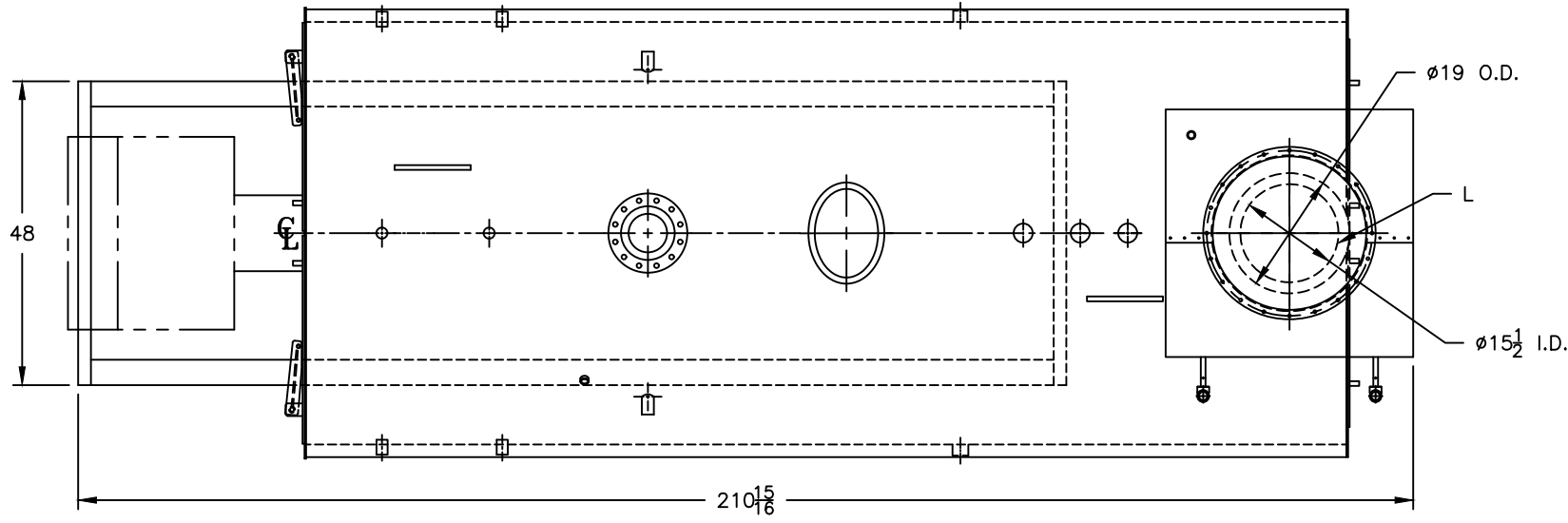
LEGEND CONNECTIONS

- A = 6" FLANGED SUPPLY (300#)
- B = 1-1/2" RETURN
- C = 3" x 4" HANDHOLE
- D = 1" WATER COLUMN
- E = 3/4" AQUASTAT
- F = 2" BOTTOM BLOWDOWN
- G = 2" SURFACE BLOWOFF
- H = 2" AUXILIARY CONNECTION
- J = 2" SAFETY VALVE (2)
- K = 12" x 16" MANHOLE
- L = 16" NOMINAL FLUE DIAMETER

Heating Surface - Sq. Ft.
Fireside - 1000
Firetubes
Number - 182
Diameter - 2" O.D.

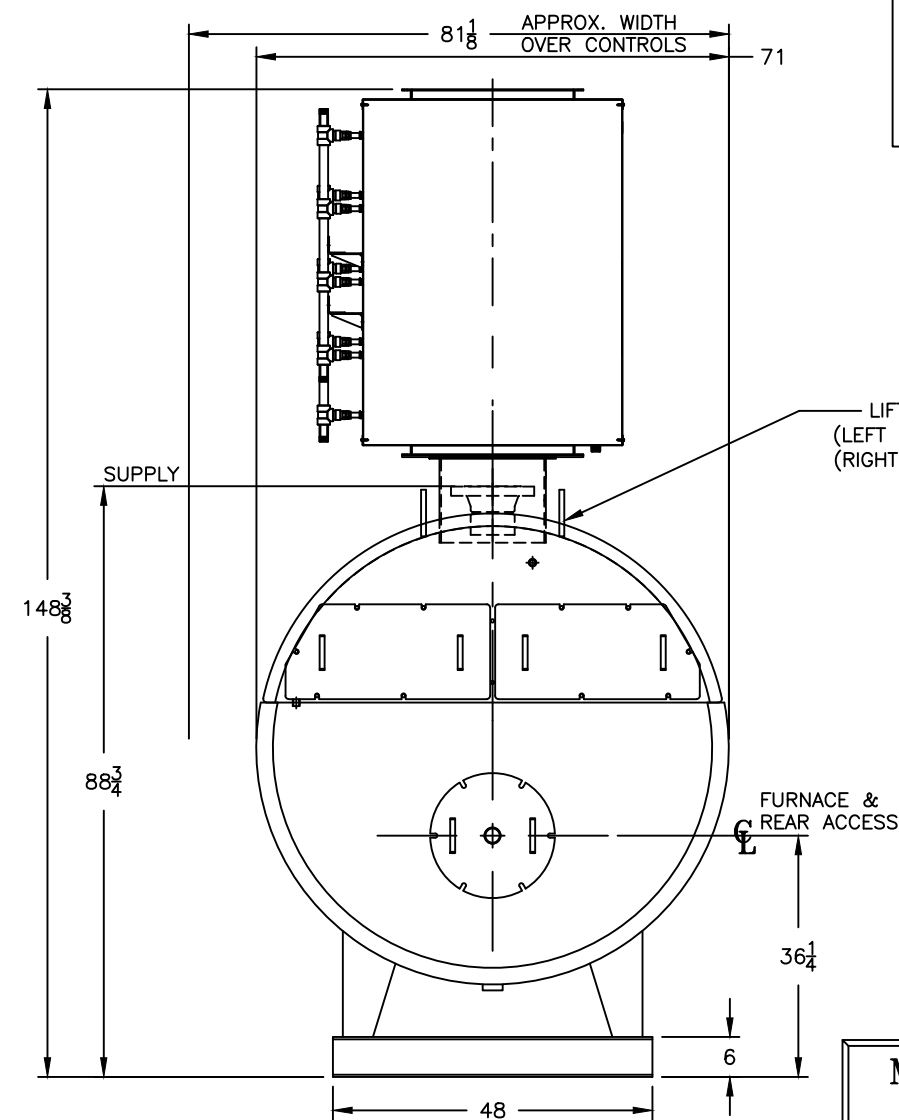
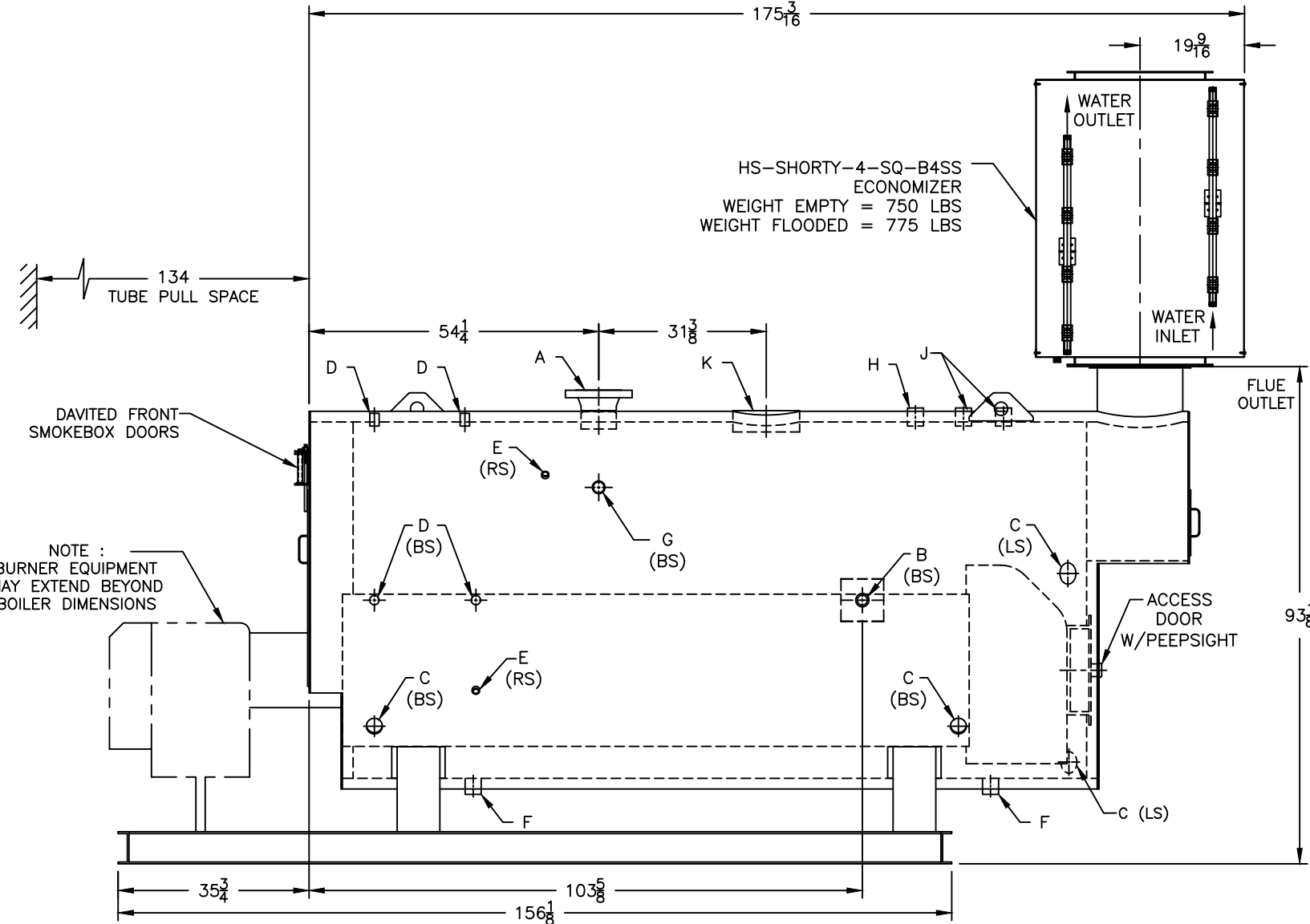
Firing Rate
1000 BTU/Gal Gas (MBH) - 8369
140000 BTU/Gal Oil (GPH) - 57.6
150000 BTU/Gal Oil (GPH) - 53.8

Water Content
Pounds - 9225
Gallons (U.S.) - 1108
Approximate Weight/LBS.
(Includes Economizer)
Dry - 14285
Wet - 23510



LEGEND

- BS = BOTH SIDES
- RS = RIGHT SIDE
- LS = LEFT SIDE



MODEL 3P-200
200 BHP
150 PSI STEAM