

BURNHAM®

Commercial Boilers

RATINGS AND DATA

Shell Diameter : 66"
 Gross Output - BHP : 200
 Gross Output - MBH : 6695
 Gross Output - Lbs/Hr : 6900
 Net Rating - MBH : 5198
 Net Rating - Sq. Ft. : 21658
 Safety Valve - Lbs/Hr. : 7810

Heating Surface - Sq. Ft.
 Fireside - 1000
 Firetubes
 Number - 182
 Diameter - 2" O.D.

Firing Rate
 1000 BTU Gas (MBH) - 8369
 140000 BTU/Gal Oil (GPH) - 57.6
 150000 BTU/Gal Oil (GPH) - 53.8

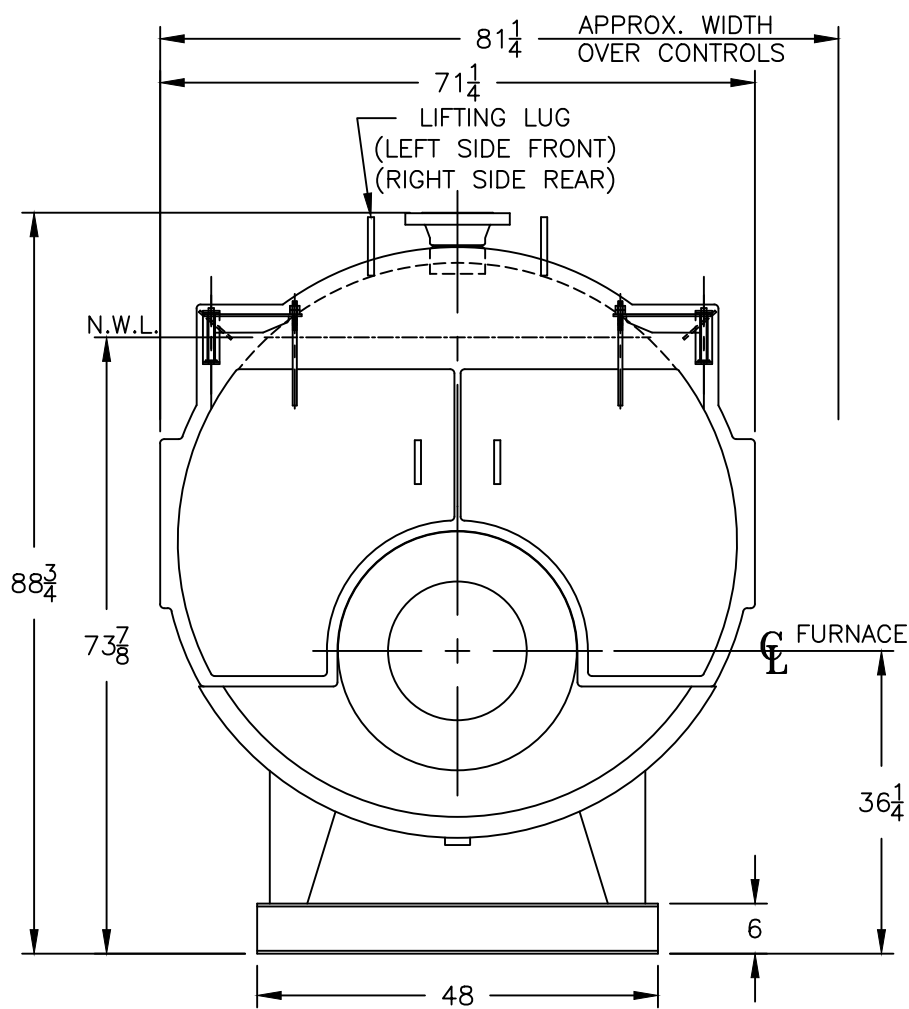
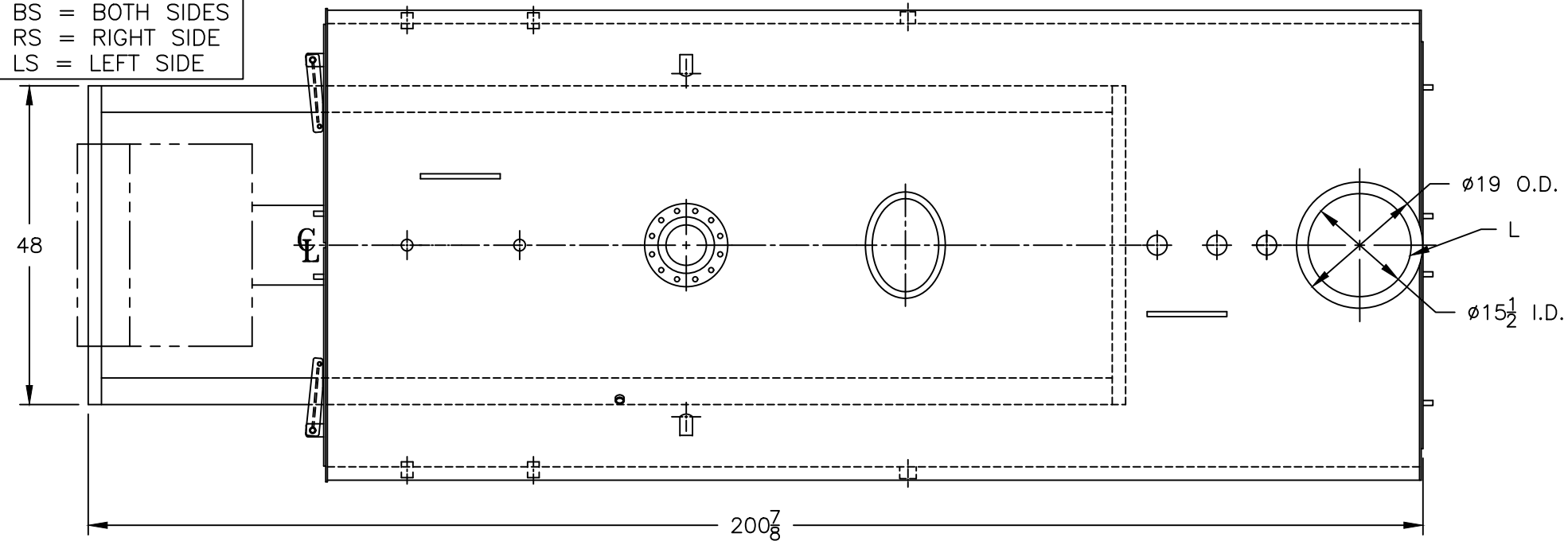
Water Content
 Pounds - 9215
 Gallons (U.S.) - 1106
 Approximate Weight/LBS.
 Dry - 13300
 Wet - 22515

LEGEND CONNECTIONS

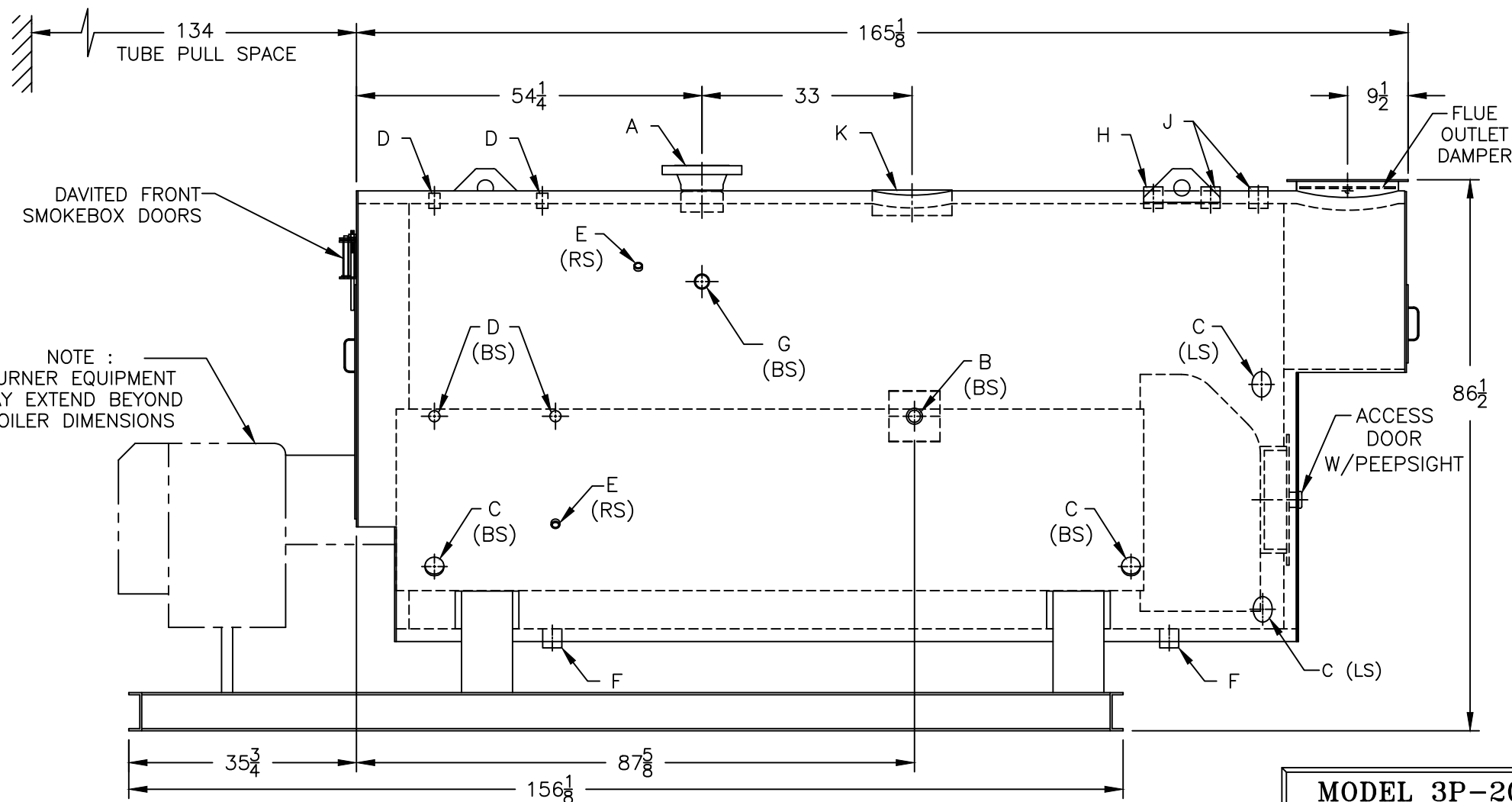
- A = 6" FLANGED SUPPLY (300#)
- B = 1-1/2" RETURN
- C = 3" x 4" HANDHOLE
- D = 1" WATER COLUMN
- E = 3/4" AQUASTAT
- F = 2" BOTTOM BLOWDOWN
- G = 2" SURFACE BLOWOFF
- H = 2" AUXILIARY CONNECTION
- J = 2" SAFETY VALVE (2)
- K = 12" x 16" MANHOLE
- L = 16" NOMINAL FLUE DIAMETER

LEGEND

- BS = BOTH SIDES
- RS = RIGHT SIDE
- LS = LEFT SIDE



PROJECT: STANDARD BOILER



NOTE :
 BURNER EQUIPMENT
 MAY EXTEND BEYOND
 BOILER DIMENSIONS

MODEL 3P-200
200 BHP
150 PSI STEAM

SPECIFICATIONS SUBJECT TO CHANGE WITHOUT NOTICE ALL CONNECTIONS ARE THREADED UNLESS OTHERWISE SPECIFIED

THIS DOCUMENT CONTAINS CONFIDENTIAL INFORMATION WHICH IS THE PROPERTY OF BURNHAM COMMERCIAL. THIS DOCUMENT MAY NOT BE REPRODUCED, TRANSFERRED OR USED, OR ITS CONTENTS DISCLOSED, WITHOUT THE WRITTEN PERMISSION OF THE OWNER.