

BURNHAM®

Commercial Boilers

LEGEND CONNECTIONS

- A = 6" FLANGED SUPPLY (300#)
- B = 2" RETURN
- C = 3" x 4" HANDHOLE
- D = 1" WATER COLUMN
- E = 3/4" AQUASTAT
- F = 2" BOTTOM BLOWDOWN
- G = 2" SURFACE BLOWOFF
- H = 2" AUXILIARY CONNECTION
- J = 1-1/2" SAFETY VALVE (2)
- K = 12" x 16" MANHOLE
- L = 20" NOMINAL FLUE DIAMETER

RATINGS AND DATA

Shell Diameter : 78"
 Gross Output - BHP : 250
 Gross Output - MBH : 8369
 Gross Output - Lbs/Hr : 8625
 Net Rating - MBH : 6498
 Net Rating - Sq. Ft. : 27075
 Safety Valve - Lbs/Hr. : 9763

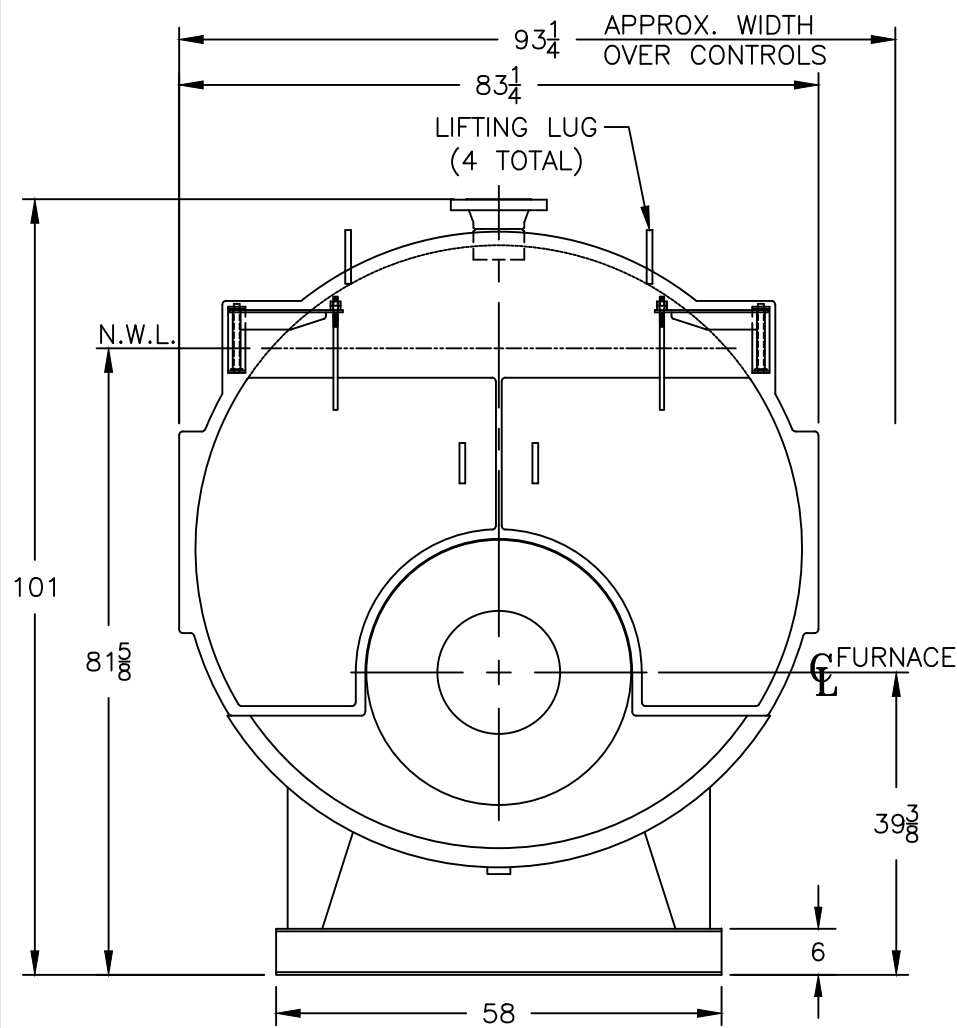
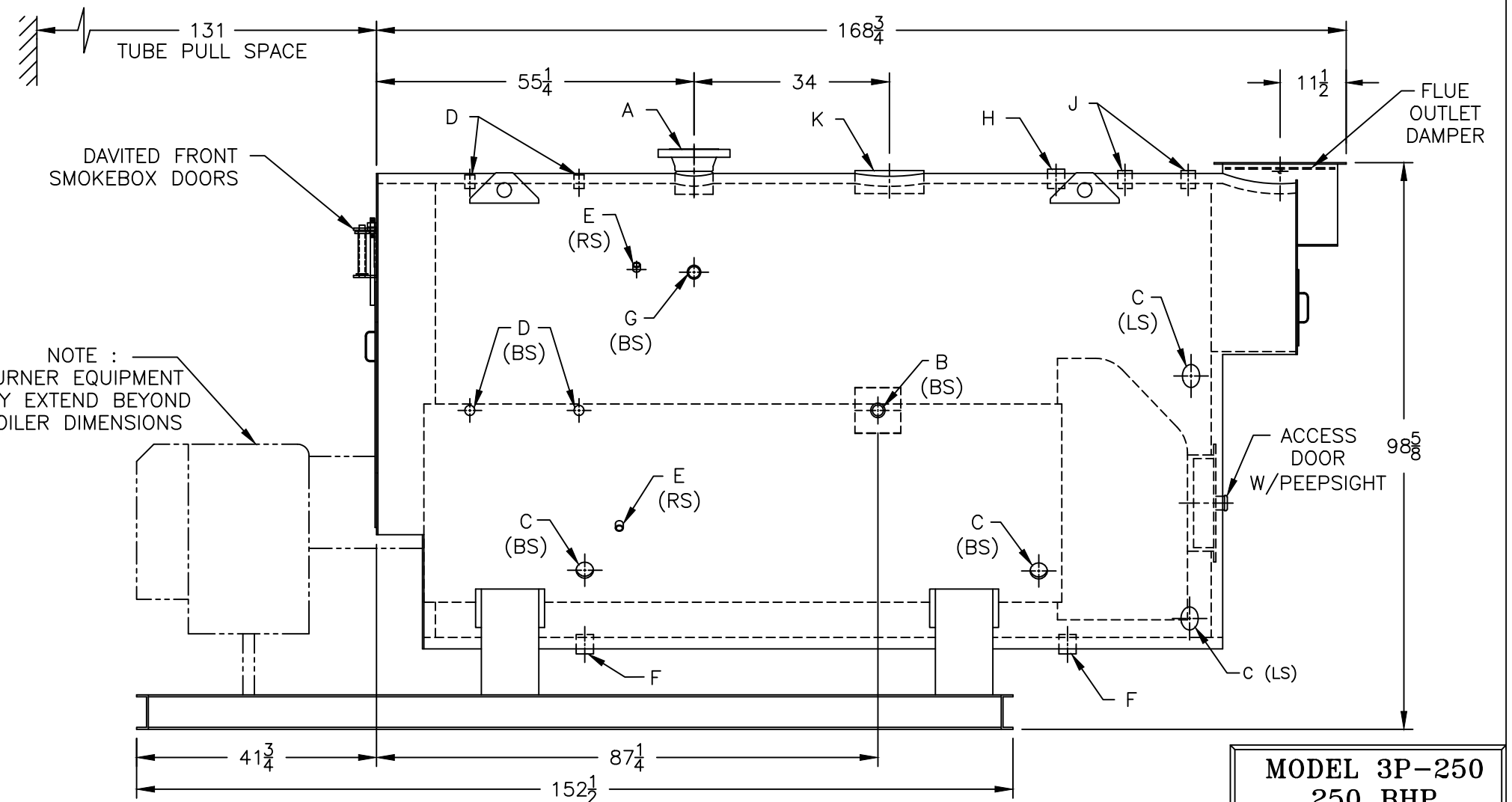
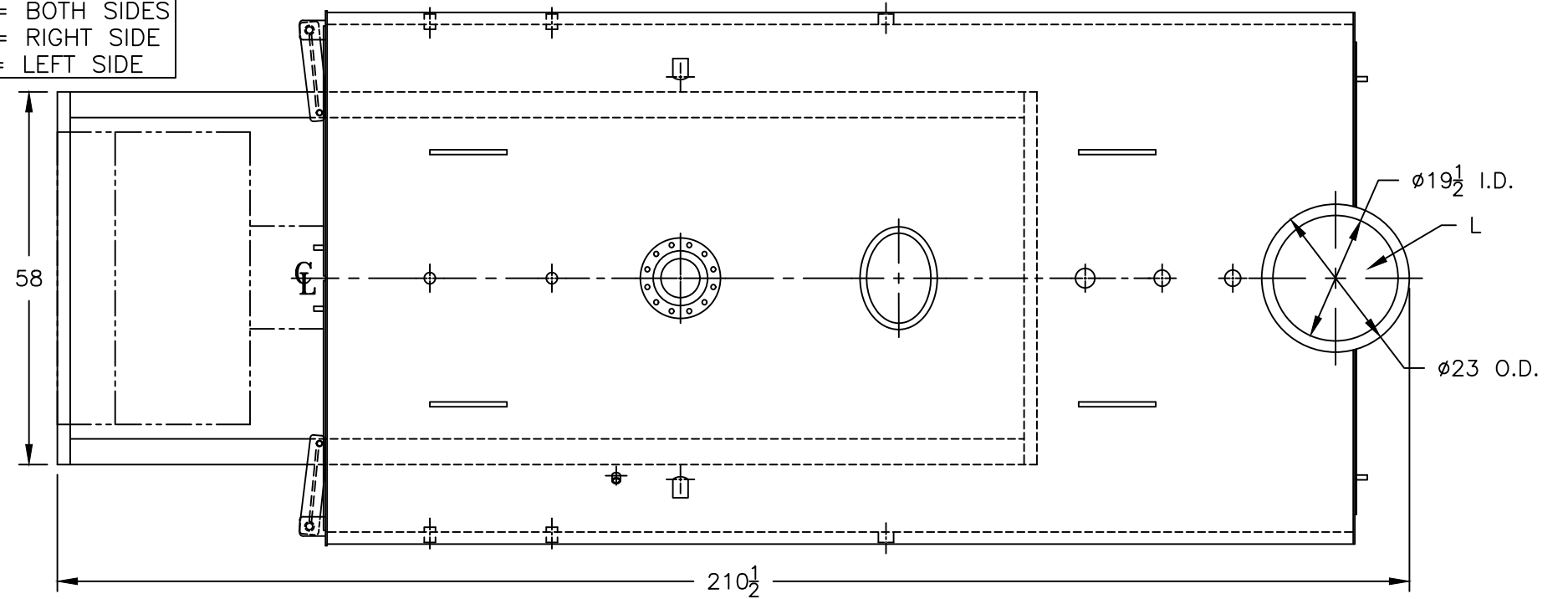
Heating Surface - Sq. Ft.
 Fireside - 1250
 Firetubes
 Number - 186
 Diameter - 2.5" O.D.

Firing Rate
 1000 BTU Gas (MBH) - 10461
 140000 BTU/Gal Oil (GPH) - 71.7
 150000 BTU/Gal Oil (GPH) - 66.9

Water Content
 Pounds - 11128
 Gallons (U.S.) - 1336
 Approximate Weight/LBS.
 Dry - 18600
 Wet - 29728

LEGEND

- BS = BOTH SIDES
- RS = RIGHT SIDE
- LS = LEFT SIDE



PROJECT: STANDARD BOILER

MODEL 3P-250
250 BHP
150 PSI STEAM

SPECIFICATIONS SUBJECT TO CHANGE WITHOUT NOTICE ALL CONNECTIONS ARE THREADED UNLESS OTHERWISE SPECIFIED

THIS DOCUMENT CONTAINS CONFIDENTIAL INFORMATION WHICH IS THE PROPERTY OF BURNHAM COMMERCIAL. THIS DOCUMENT MAY NOT BE REPRODUCED, TRANSFERRED OR USED, OR ITS CONTENTS DISCLOSED, WITHOUT THE WRITTEN PERMISSION OF THE OWNER.