

BURNHAM®

Commercial Boilers

LEGEND CONNECTIONS

- A = 8" FLANGED SUPPLY (300#)
- B = 2-1/2" RETURN
- C = 3" x 4" HANDHOLE
- D = 1" WATER COLUMN
- E = 3/4" AQUASTAT
- F = 2" BOTTOM BLOWDOWN
- G = 2" SURFACE BLOWOFF
- H = 2" AUXILIARY CONNECTION
- J = 2" SAFETY VALVE
- 1-1/2" SAFETY VALVE
- K = 12" x 16" MANHOLE
- L = 24" NOMINAL FLUE DIAMETER

RATINGS AND DATA

Shell Diameter : 90"
 Gross Output - BHP : 350
 Gross Output - MBH : 11716
 Gross Output - Lbs/Hr : 12075
 Net Rating - MBH : 9096
 Net Rating - Sq. Ft. : 37900
 Safety Valve - Lbs/Hr. : 13668

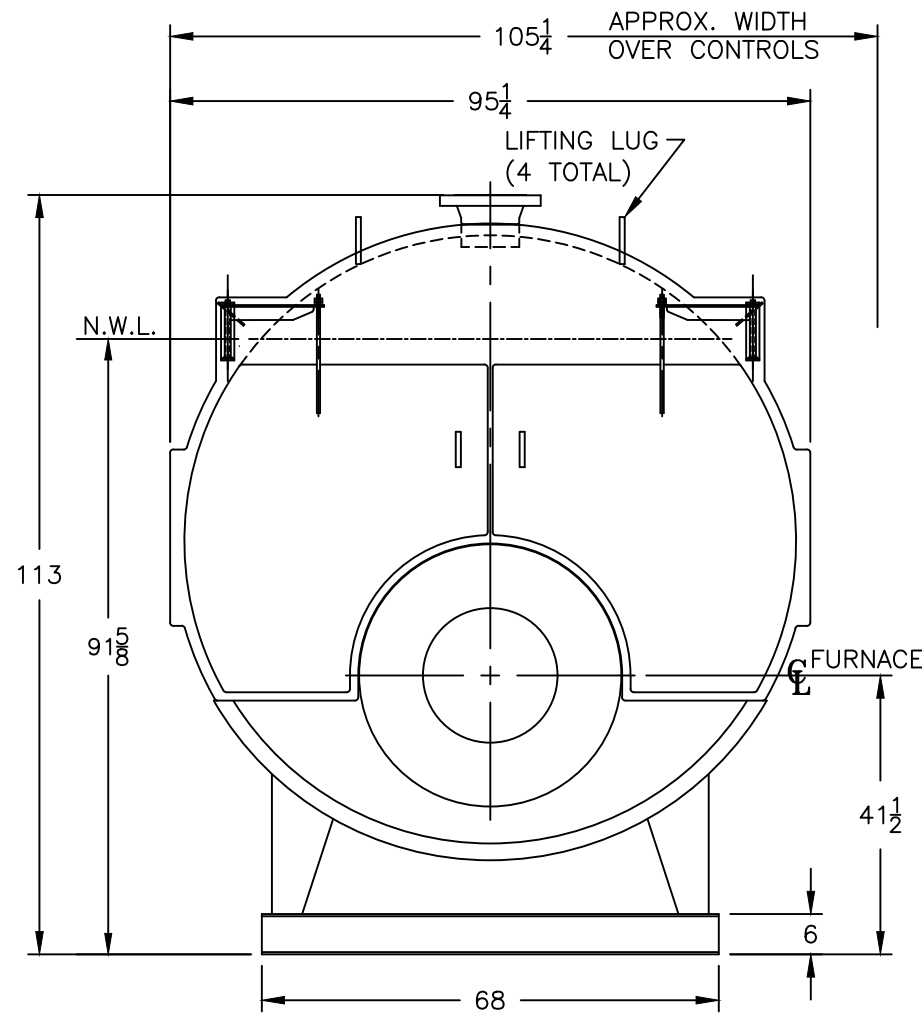
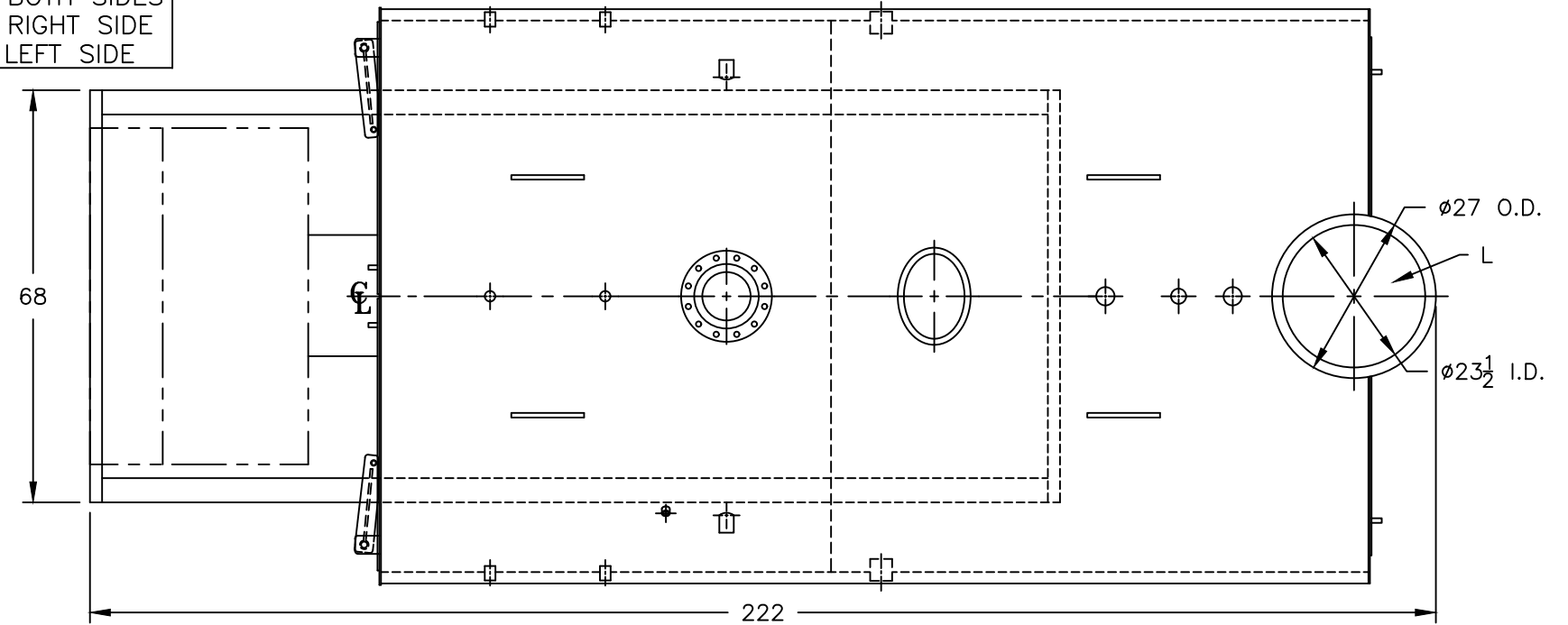
Heating Surface - Sq. Ft.
 Fireside - 1750
 Firetubes
 Number - 268
 Diameter - 2.5" O.D.

Firing Rate
 1000 BTU Gas (MBH) - 14645
 140000 BTU/Gal Oil (GPH) - 100.1
 150000 BTU/Gal Oil (GPH) - 93.4

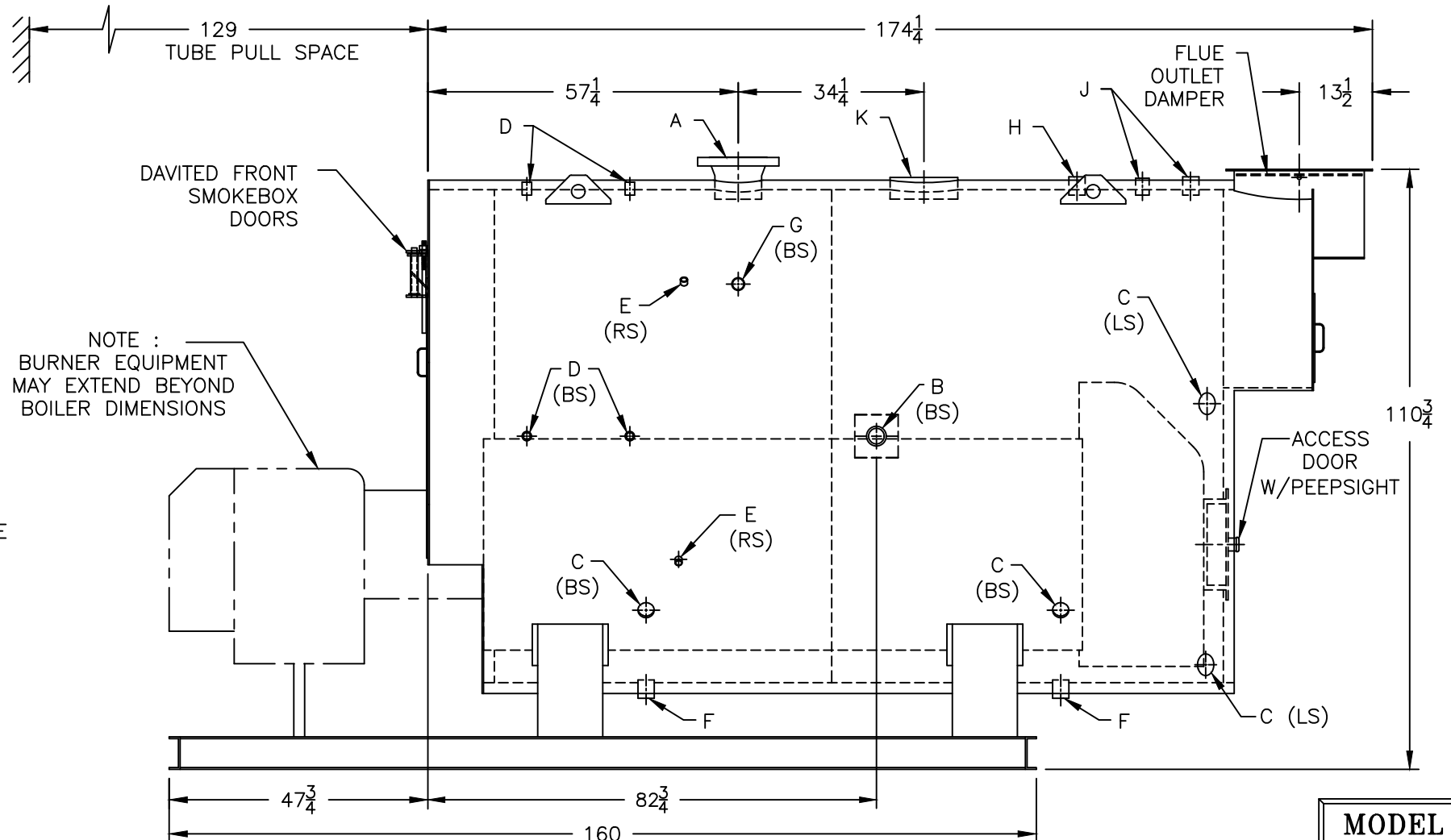
Water Content
 Pounds - 14457
 Gallons (U.S.) - 1735
 Approximate Weight/LBS.
 Dry - 23700
 Wet - 38157

LEGEND

- BS = BOTH SIDES
- RS = RIGHT SIDE
- LS = LEFT SIDE



PROJECT: STANDARD BOILER



NOTE :
 BURNER EQUIPMENT
 MAY EXTEND BEYOND
 BOILER DIMENSIONS

MODEL 3P-350
350 BHP
150 PSI STEAM