

BURNHAM®

Commercial Boilers

LEGEND CONNECTIONS

- A = 8" FLANGED SUPPLY (300#)
- B = 2-1/2" RETURN
- C = 3" x 4" HANDHOLE
- D = 1" WATER COLUMN
- E = 3/4" AQUASTAT
- F = 2" BOTTOM BLOWDOWN
- G = 2" SURFACE BLOWOFF
- H = 2" AUXILIARY CONNECTION
- J = 2" SAFETY VALVE
- 1-1/2" SAFETY VALVE
- K = 12" x 16" MANHOLE
- L = 24" NOMINAL FLUE DIAMETER

RATINGS AND DATA

Shell Diameter : 90"
 Gross Output - BHP : 400
 Gross Output - MBH : 13390
 Gross Output - Lbs/Hr : 13800
 Net Rating - MBH : 10396
 Net Rating - Sq. Ft. : 43317
 Safety Valve - Lbs/Hr. : 15621

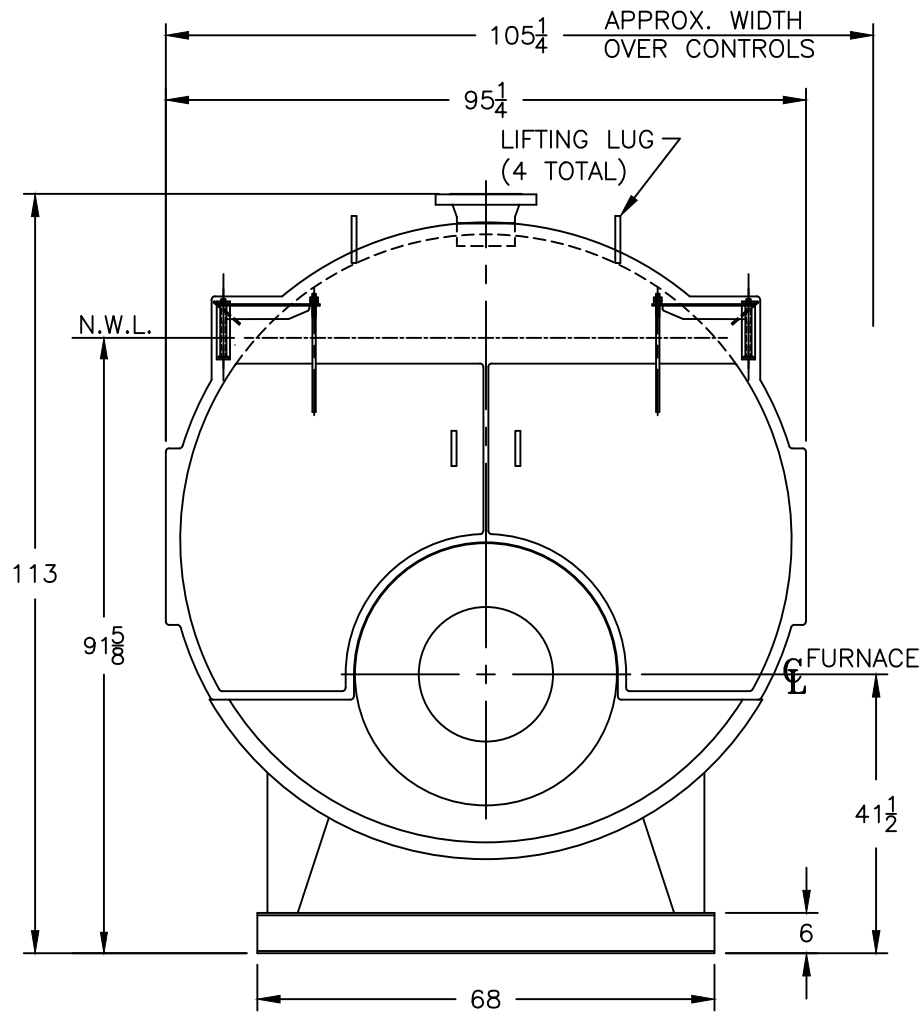
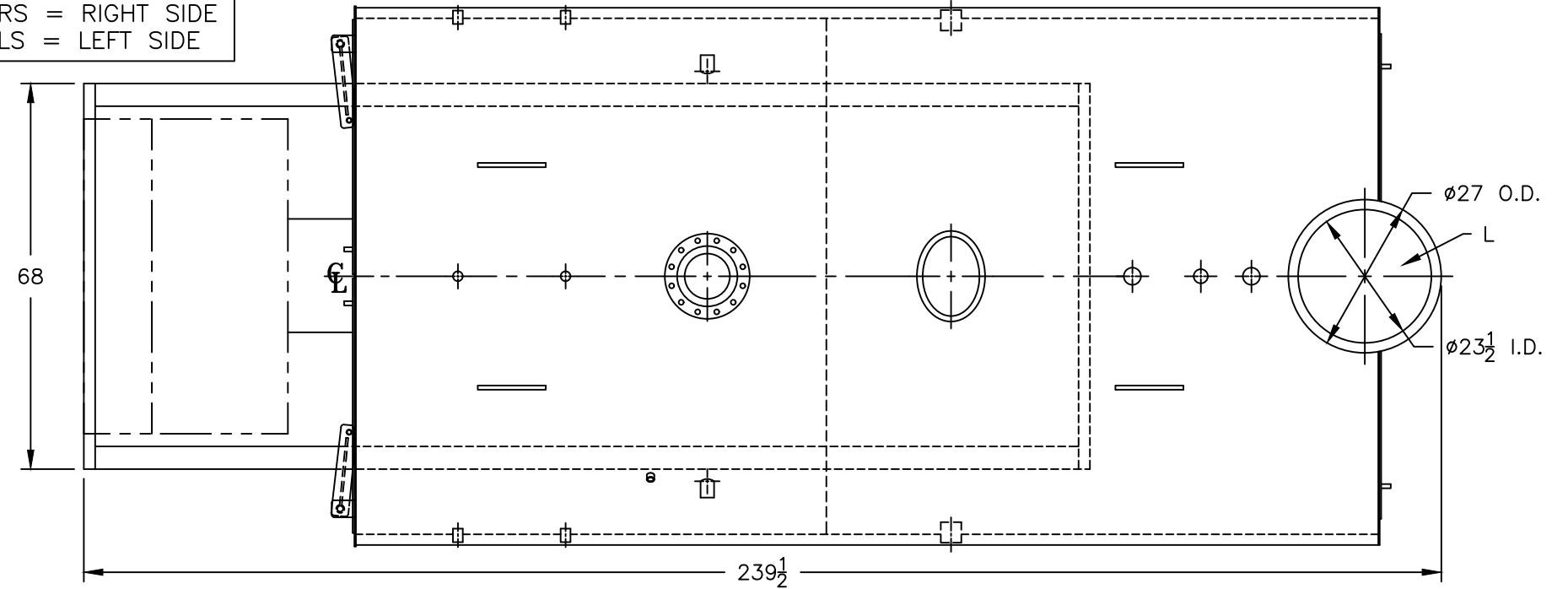
Heating Surface - Sq. Ft.
 Fireside - 2000
 Firetubes
 Number - 268
 Diameter - 2.5" O.D.

Firing Rate
 1000 BTU Gas (MBH) - 16738
 140000 BTU/Gal Oil (GPH) - 114.8
 150000 BTU/Gal Oil (GPH) - 107.1

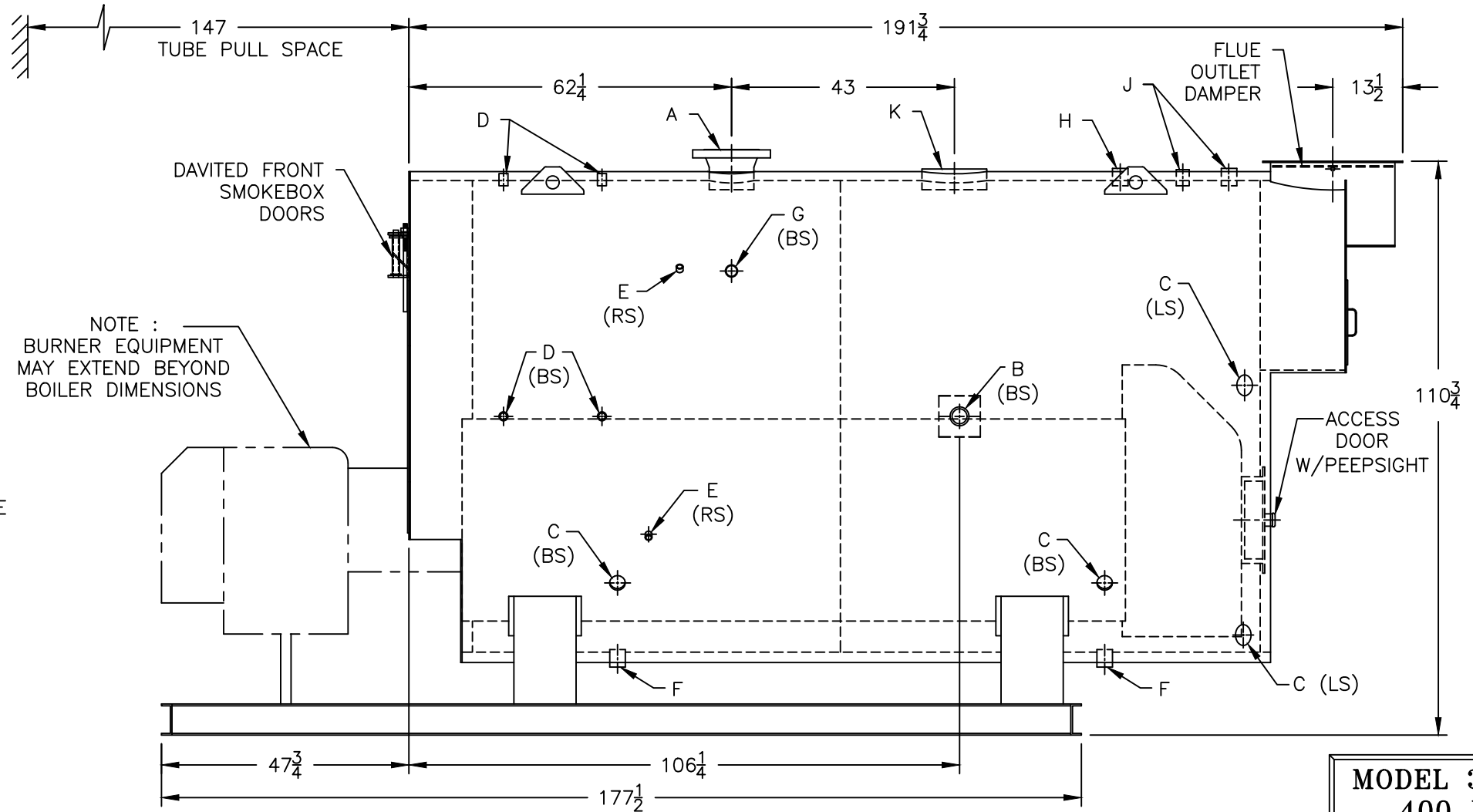
Water Content
 Pounds - 16453
 Gallons (U.S.) - 1975
 Approximate Weight/LBS.
 Dry - 25696
 Wet - 42149

LEGEND

- BS = BOTH SIDES
- RS = RIGHT SIDE
- LS = LEFT SIDE



PROJECT: STANDARD BOILER



NOTE :
 BURNER EQUIPMENT
 MAY EXTEND BEYOND
 BOILER DIMENSIONS

MODEL 3P-400
400 BHP
150 PSI STEAM

SPECIFICATIONS SUBJECT TO CHANGE WITHOUT NOTICE ALL CONNECTIONS ARE THREADED UNLESS OTHERWISE SPECIFIED

THIS DOCUMENT CONTAINS CONFIDENTIAL INFORMATION WHICH IS THE PROPERTY OF BURNHAM COMMERCIAL. THIS DOCUMENT MAY NOT BE REPRODUCED, TRANSFERRED OR USED, OR ITS CONTENTS DISCLOSED, WITHOUT THE WRITTEN PERMISSION OF THE OWNER.