

PROJECT: STANDARD BOILER

LEGEND

BS = BOTH SIDES
RS = RIGHT SIDE
LS = LEFT SIDE

BURNHAM[®]
Commercial Boilers

RATINGS AND DATA

Shell Diameter : 102"
Gross Output - BHP : 600
Gross Output - MBH : 20085
Gross Output - Lbs/Hr : 20700
Net Rating - MBH : 15594
Net Rating - Sq. Ft. : 64975
Safety Valve - Lbs/Hr. : 24000

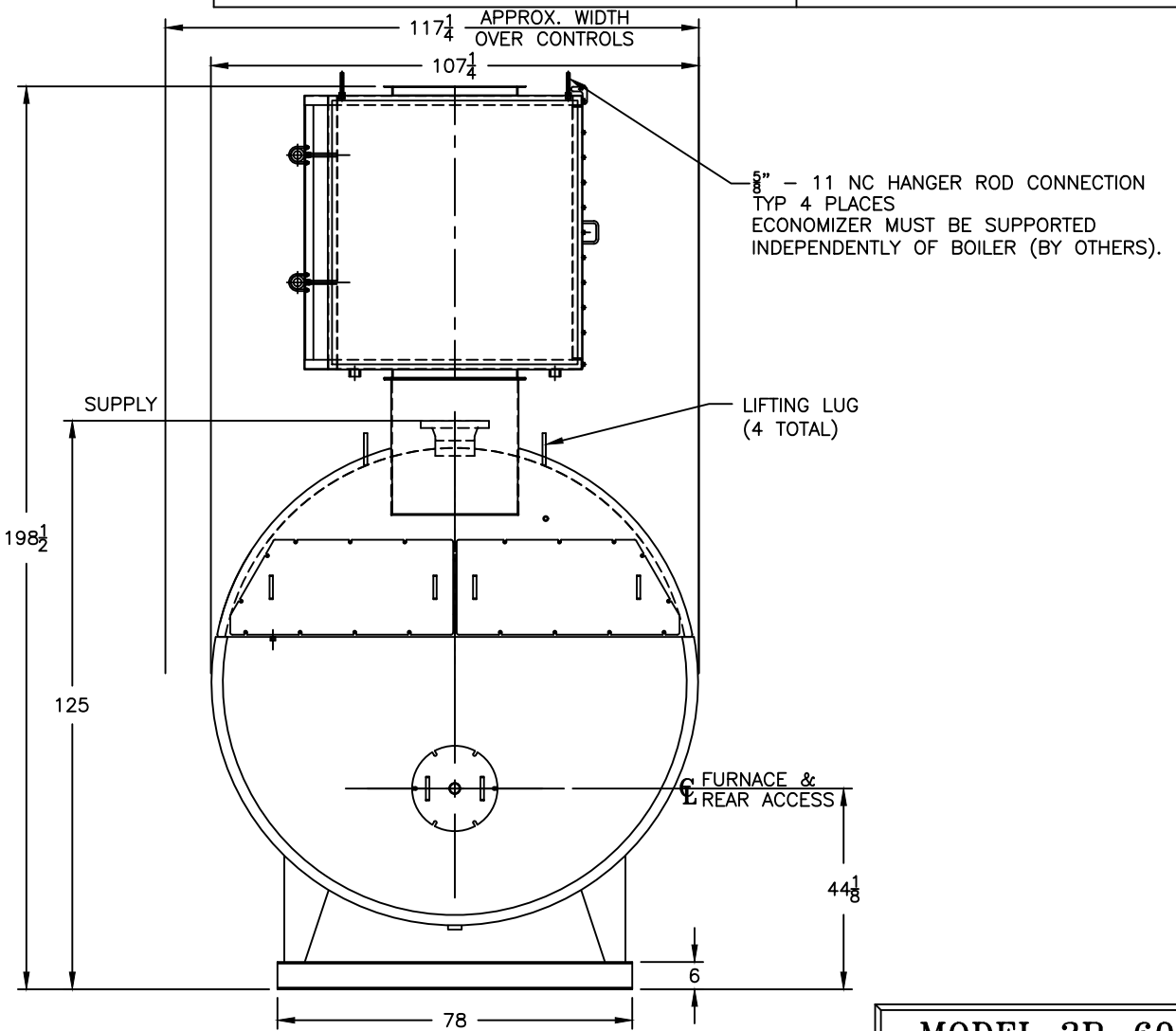
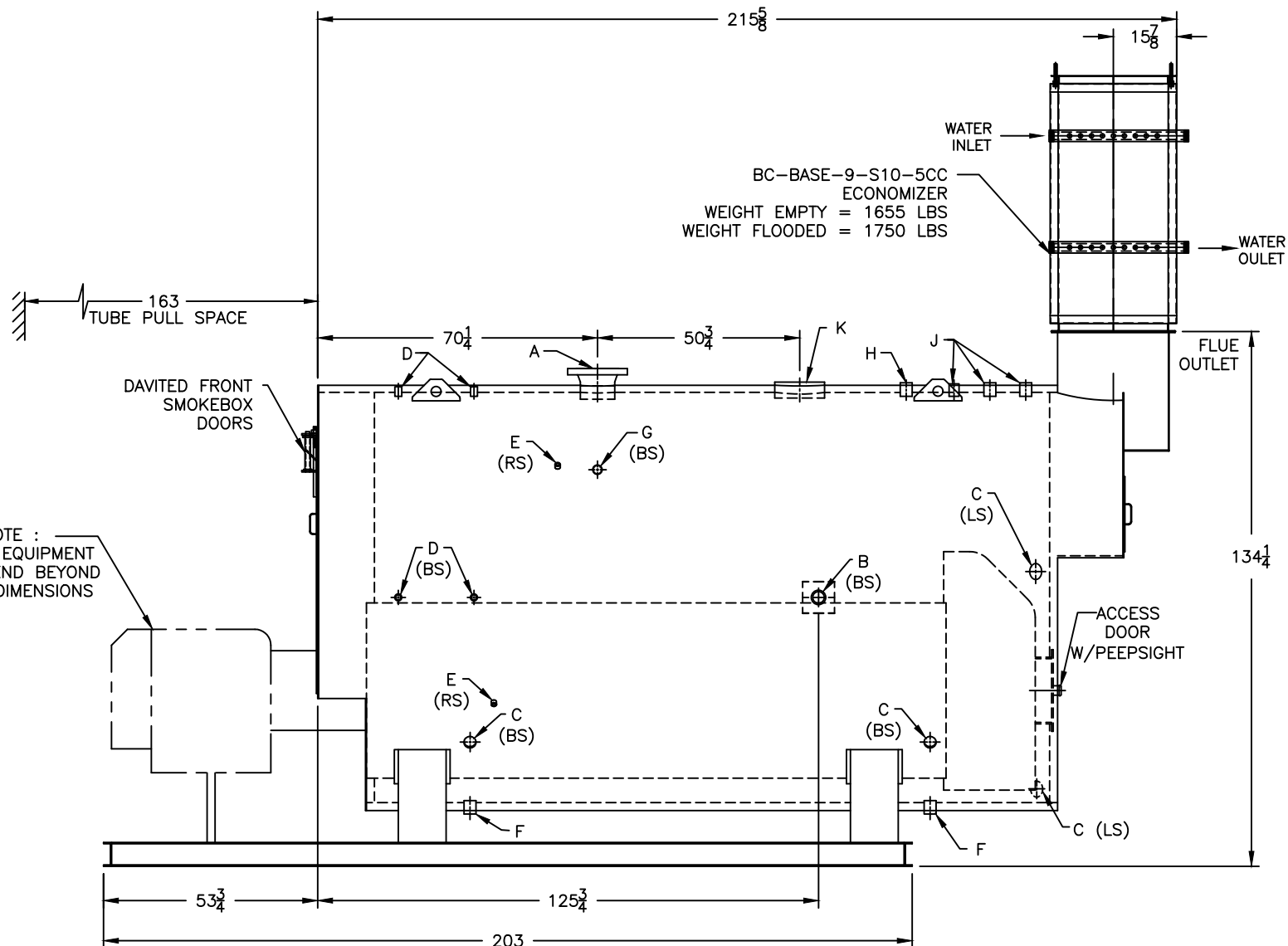
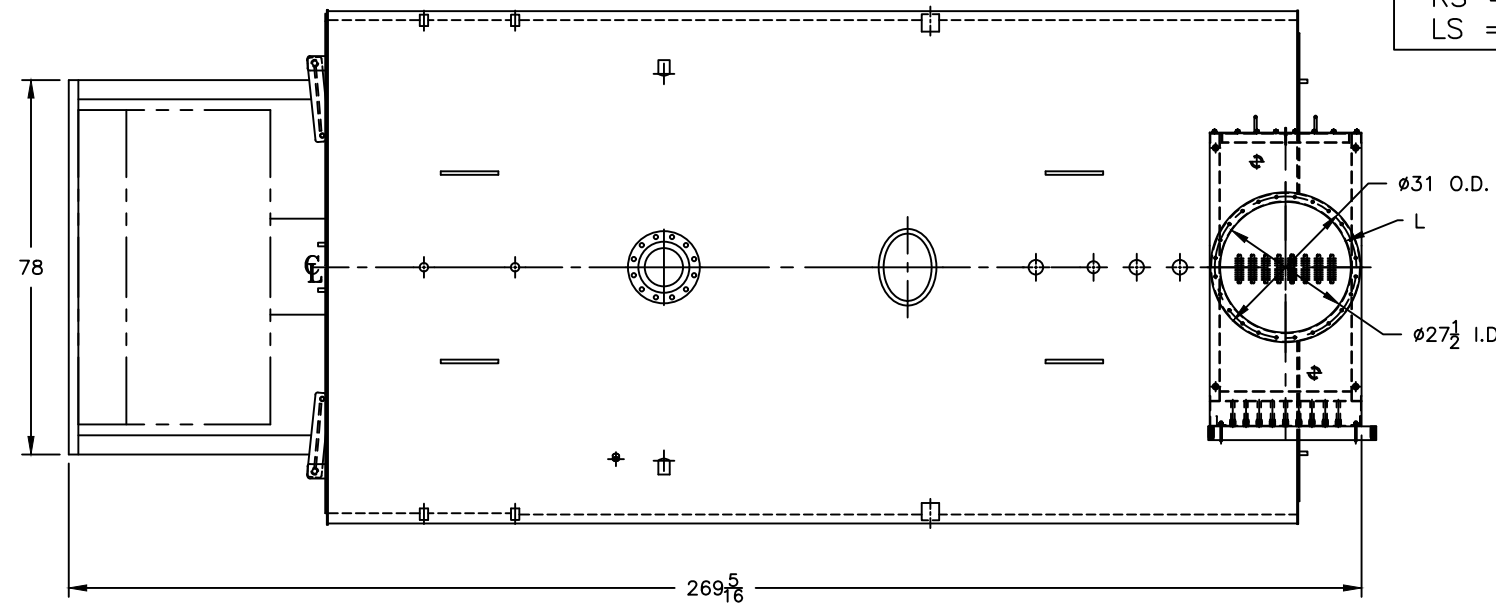
LEGEND CONNECTIONS

A = 8" FLANGED SUPPLY (300#)
B = 2-1/2" RETURN
C = 3" x 4" HANDHOLE
D = 1" WATER COLUMN
E = 3/4" AQUASTAT
F = 2" BOTTOM BLOWDOWN
G = 2" SURFACE BLOWOFF
H = 2" AUXILIARY CONNECTION
J = 2" SAFETY VALVE (2)
 1-1/2" SAFETY VALVE (1)
K = 12" x 16" MANHOLE
L = 28" NOMINAL FLUE DIAMETER

Heating Surface - Sq. Ft.
Fireside - 3000
Firetubes
Number - 362
Diameter - 2.5" O.D.

Firing Rate
1000 BTU/Gal Gas (MBH) - 25106
140000 BTU/Gal Oil (GPH) - 172.6
150000 BTU/Gal Oil (GPH) - 161.1

Water Content
Pounds - 24142
Gallons (U.S.) - 2899
Approximate Weight/LBS.
(Includes Economizer)
Dry - 37077
Wet - 61219



NOTE :
BURNER EQUIPMENT
MAY EXTEND BEYOND
BOILER DIMENSIONS

MODEL 3P-600
600 BHP
150 PSI STEAM