

BURNHAM®

Commercial Boilers

LEGEND CONNECTIONS

- A = 8" FLANGED SUPPLY (300#)
- B = 2-1/2" RETURN
- C = 3" x 4" HANDHOLE
- D = 1" WATER COLUMN
- E = 3/4" AQUASTAT
- F = 2" BOTTOM BLOWDOWN
- G = 2" SURFACE BLOWOFF
- H = 2" AUXILIARY CONNECTION
- J = 2" SAFETY VALVE (2)
1-1/2" SAFETY VALVE (1)
- K = 12" x 16" MANHOLE
- L = 28" NOMINAL FLUE DIAMETER

RATINGS AND DATA

Shell Diameter : 102"
 Gross Output - BHP : 600
 Gross Output - MBH : 20085
 Gross Output - Lbs/Hr : 20700
 Net Rating - MBH : 15594
 Net Rating - Sq. Ft. : 64975
 Safety Valve - Lbs/Hr. : 24000

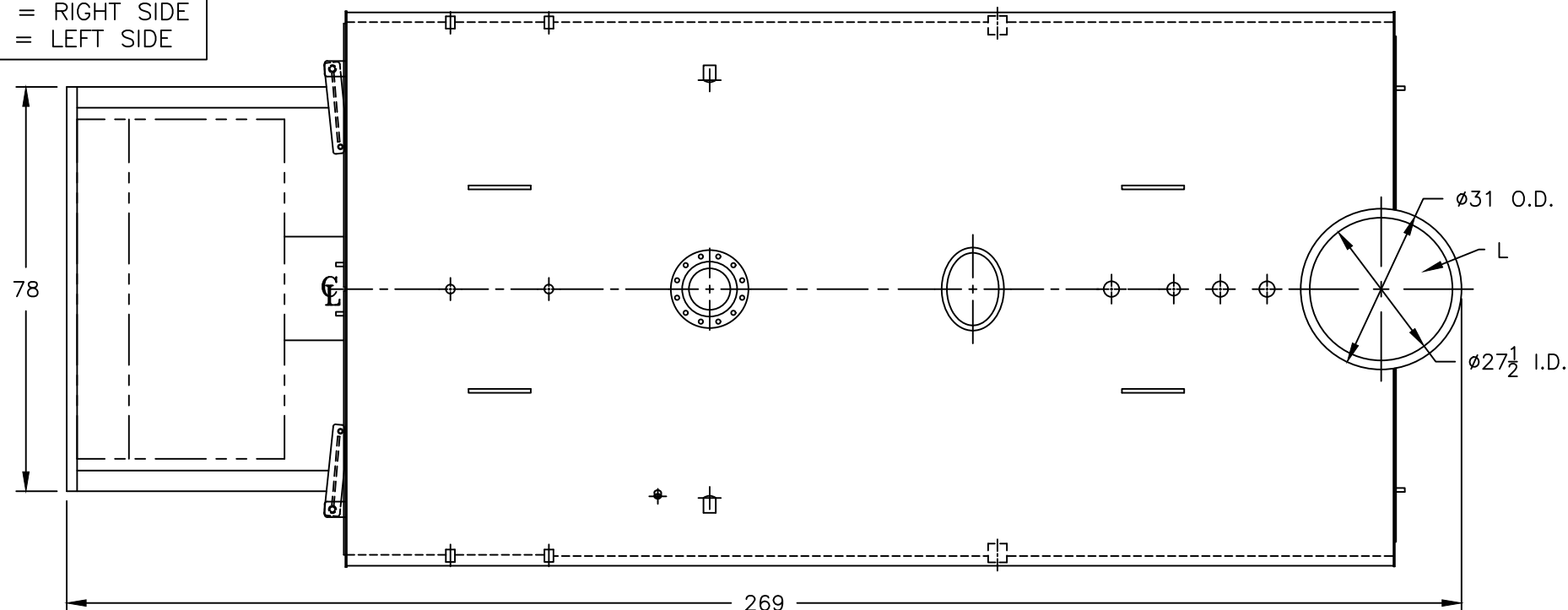
Heating Surface - Sq. Ft.
 Fireside - 3000
 Firetubes
 Number - 362
 Diameter - 2.5" O.D.

Firing Rate
 1000 BTU Gas (MBH) - 25106
 140000 BTU/Gal Oil (GPH) - 172.6
 150000 BTU/Gal Oil (GPH) - 161.1

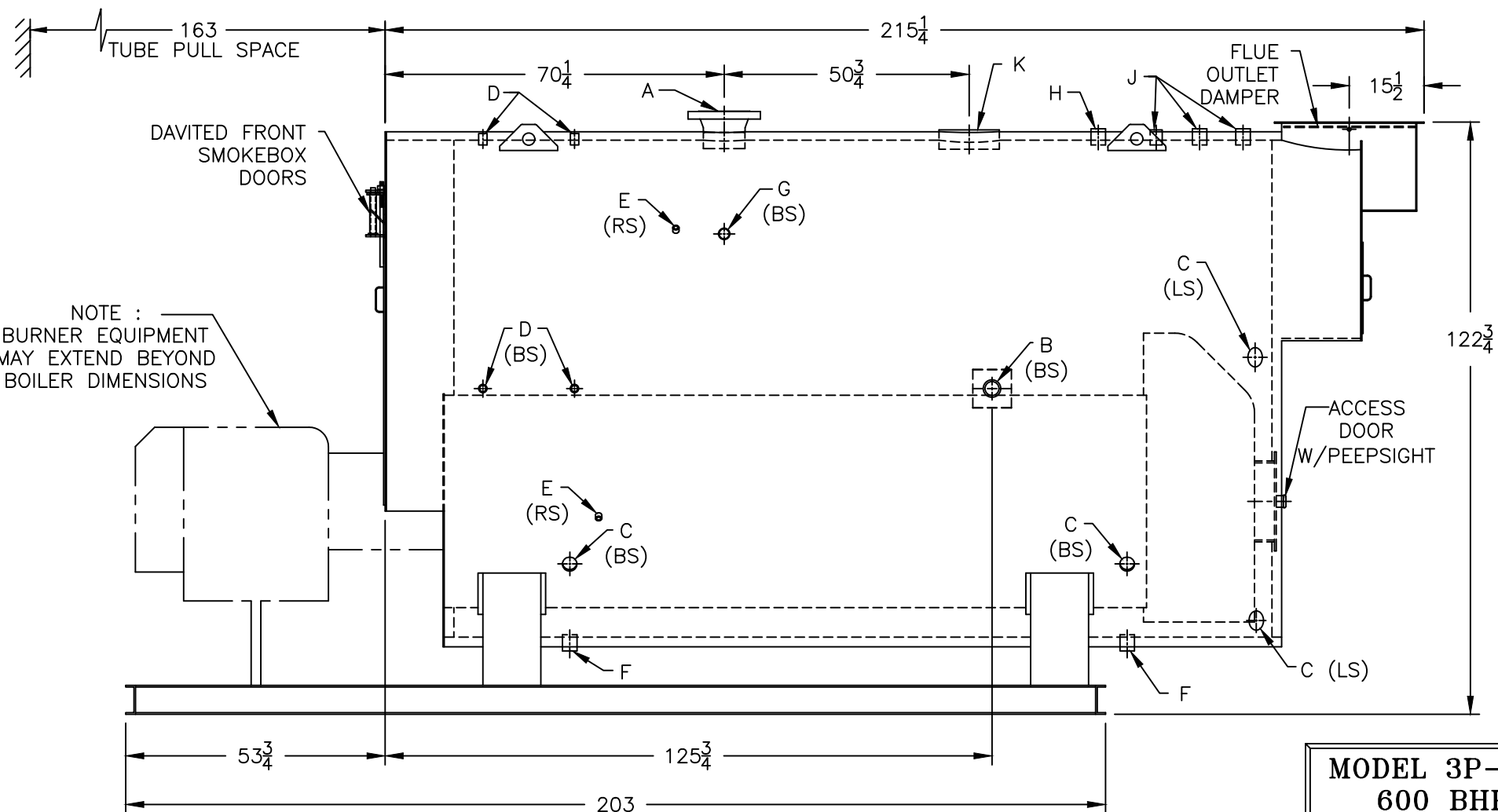
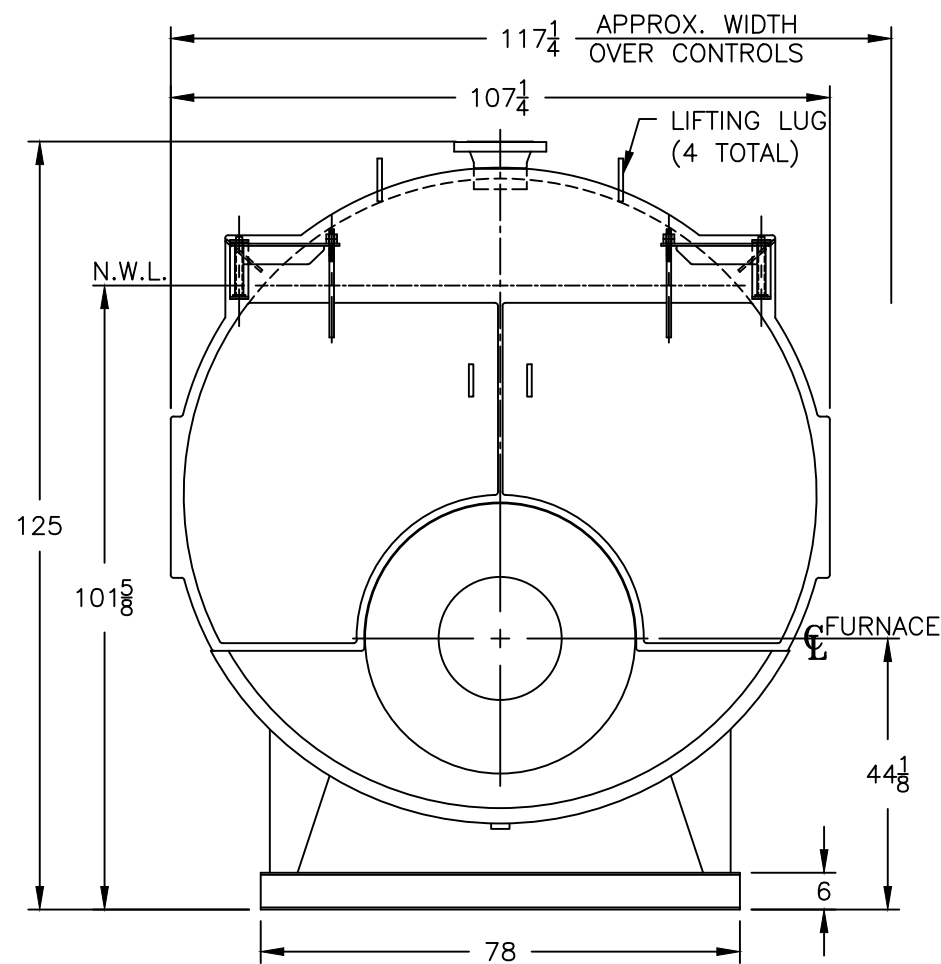
Water Content
 Pounds - 24047
 Gallons (U.S.) - 2887
 Approximate Weight/LBS.
 Dry - 35422
 Wet - 59469

LEGEND

- BS = BOTH SIDES
- RS = RIGHT SIDE
- LS = LEFT SIDE



PROJECT: STANDARD BOILER



MODEL 3P-600
600 BHP
150 PSI STEAM

SPECIFICATIONS SUBJECT TO CHANGE WITHOUT NOTICE ALL CONNECTIONS ARE THREADED UNLESS OTHERWISE SPECIFIED

THIS DOCUMENT CONTAINS CONFIDENTIAL INFORMATION WHICH IS THE PROPERTY OF BURNHAM COMMERCIAL. THIS DOCUMENT MAY NOT BE REPRODUCED, TRANSFERRED OR USED, OR ITS CONTENTS DISCLOSED, WITHOUT THE WRITTEN PERMISSION OF THE OWNER.