

# BURNHAM®

## Commercial Boilers

### LEGEND CONNECTIONS

- A = 3" SUPPLY
- B = 1-1/4" RETURN
- C = 3" x 4" HANDHOLE
- D = 1" WATER COLUMN
- E = 3/4" AQUASTAT
- F = 1-1/2" BOTTOM BLOWDOWN
- G = 1-1/2" SURFACE BLOWOFF
- H = 2" AUXILIARY CONNECTION
- J = 2" SAFETY VALVE
- K = 12" X 16" MANHOLE
- L = 12" NOMINAL FLUE DIAMETER

### RATINGS AND DATA

Shell Diameter : 54"  
 Gross Output - BHP : 70  
 Gross Output - MBH : 2343  
 Gross Output - Lbs/Hr : 2415  
 Net Rating - MBH : 1819  
 Net Rating - Sq. Ft. : 7580  
 Safety Valve - Lbs/Hr. : 2734

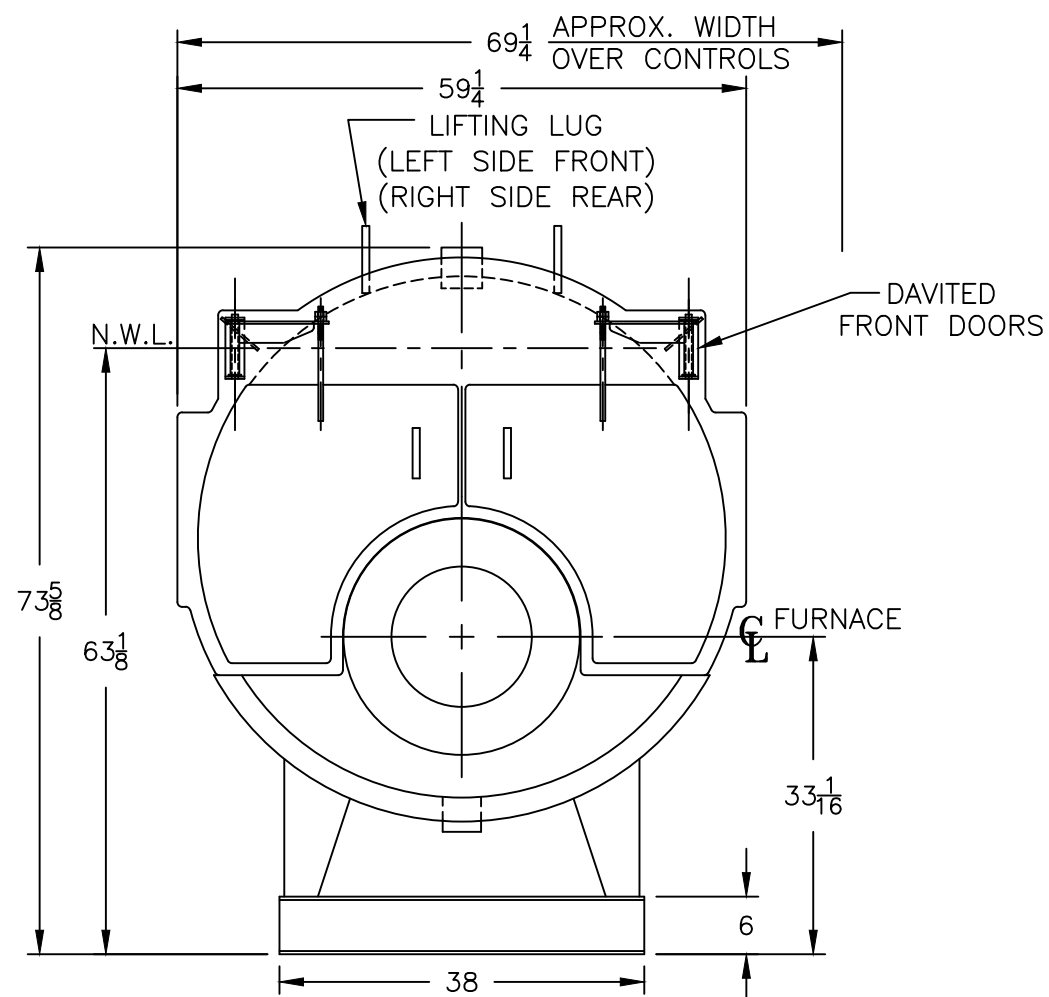
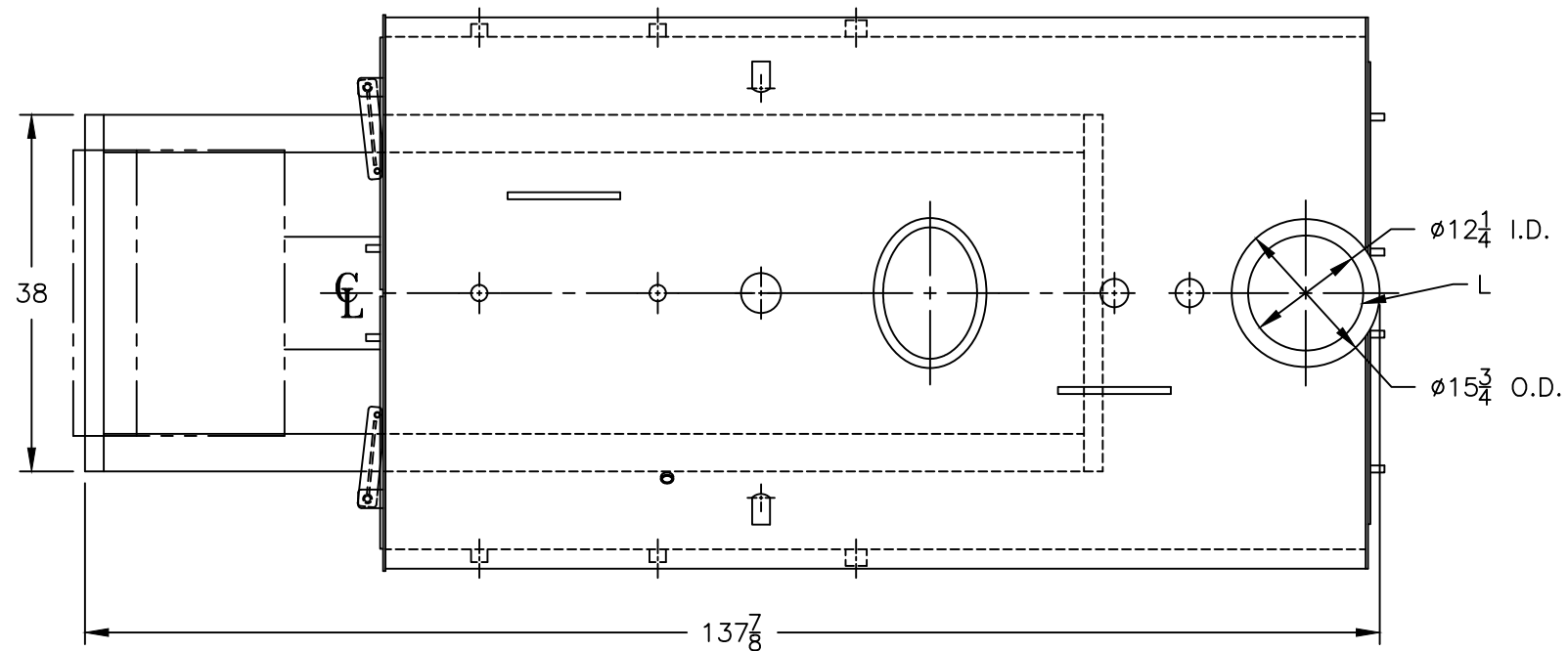
Heating Surface - Sq. Ft.  
 Fireside - 350  
 Firetubes  
 Number - 106  
 Diameter - 2" O.D.

Firing Rate  
 1000 BTU Gas (MBH) - 2929  
 140000 BTU/Gal Oil (GPH) - 20.1  
 150000 BTU/Gal Oil (GPH) - 18.8

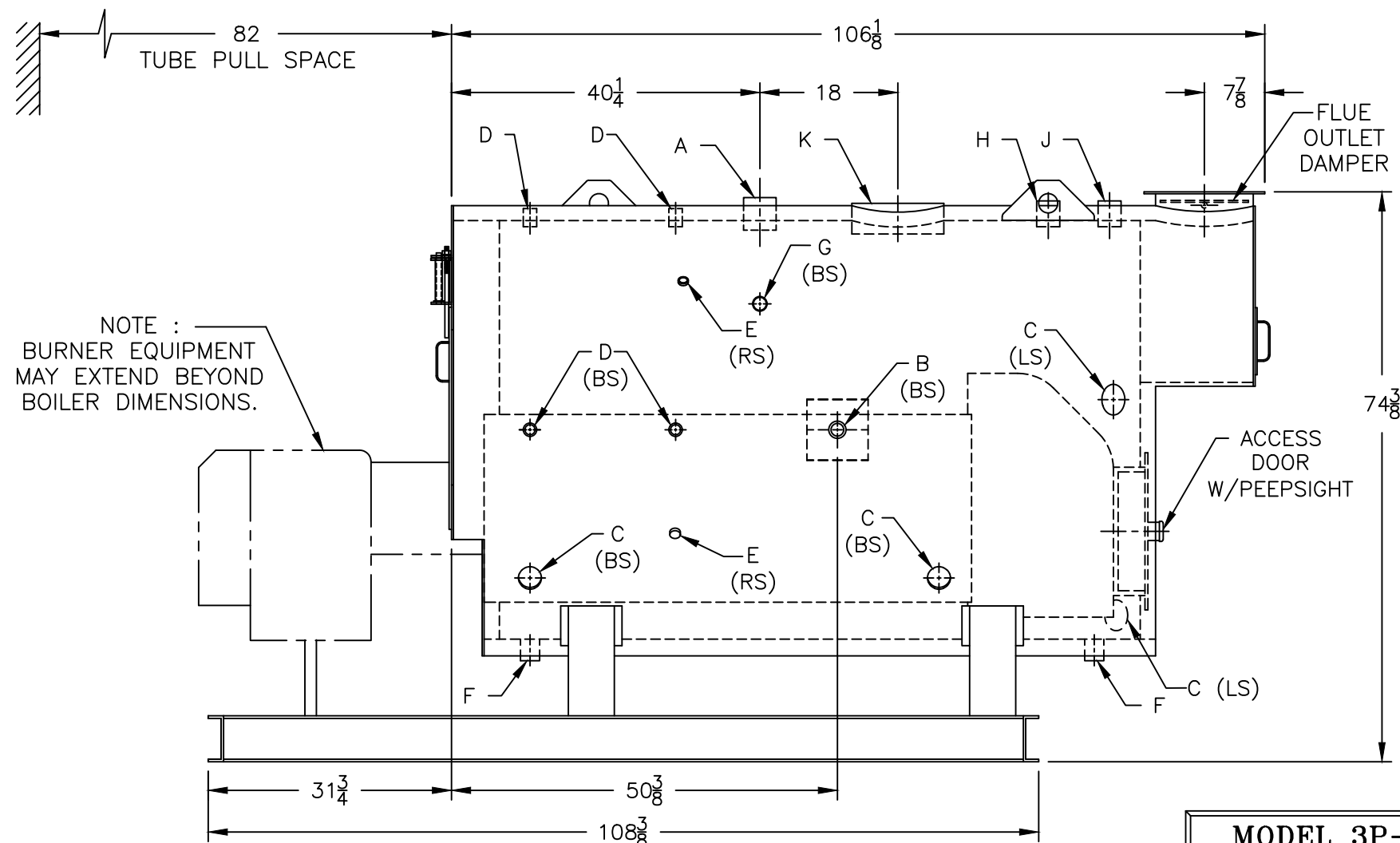
Water Content  
 Pounds - 3706  
 Gallons (U.S.) - 445  
 Approximate Weight/LBS.  
 Dry - 6200  
 Wet - 9906

### LEGEND

- BS = BOTH SIDES
- RS = RIGHT SIDE
- LS = LEFT SIDE



PROJECT: STANDARD BOILER



**MODEL 3P-70**  
**70 BHP**  
**150 PSI STEAM**