

# BURNHAM®

## Commercial Boilers

### LEGEND CONNECTIONS

- A = 10" FLANGED SUPPLY (300#)
- B = 2-1/2" RETURN
- C = 3" x 4" HANDHOLE
- D = 1" WATER COLUMN
- E = 3/4" AQUASTAT
- F = 2" BOTTOM BLOWDOWN
- G = 2" SURFACE BLOWOFF
- H = 2" AUXILIARY CONNECTION
- J = 3" SAFETY VALVE (2)  
2-1/2" SAFETY VALVE (2)
- K = 12" x 16" MANHOLE
- L = 34" NOMINAL FLUE DIAMETER

### RATINGS AND DATA

Shell Diameter : 108"  
 Gross Output - BHP : 800  
 Gross Output - MBH : 26780  
 Gross Output - Lbs/Hr : 27600  
 Net Rating - MBH : 20792  
 Net Rating - Sq. Ft. : 86633  
 Safety Valve - Lbs/Hr. : 31242

---

Heating Surface - Sq. Ft.  
 Fireside - 4000  
 Firetubes  
 Number - 338  
 Diameter - 2.5" O.D.

---

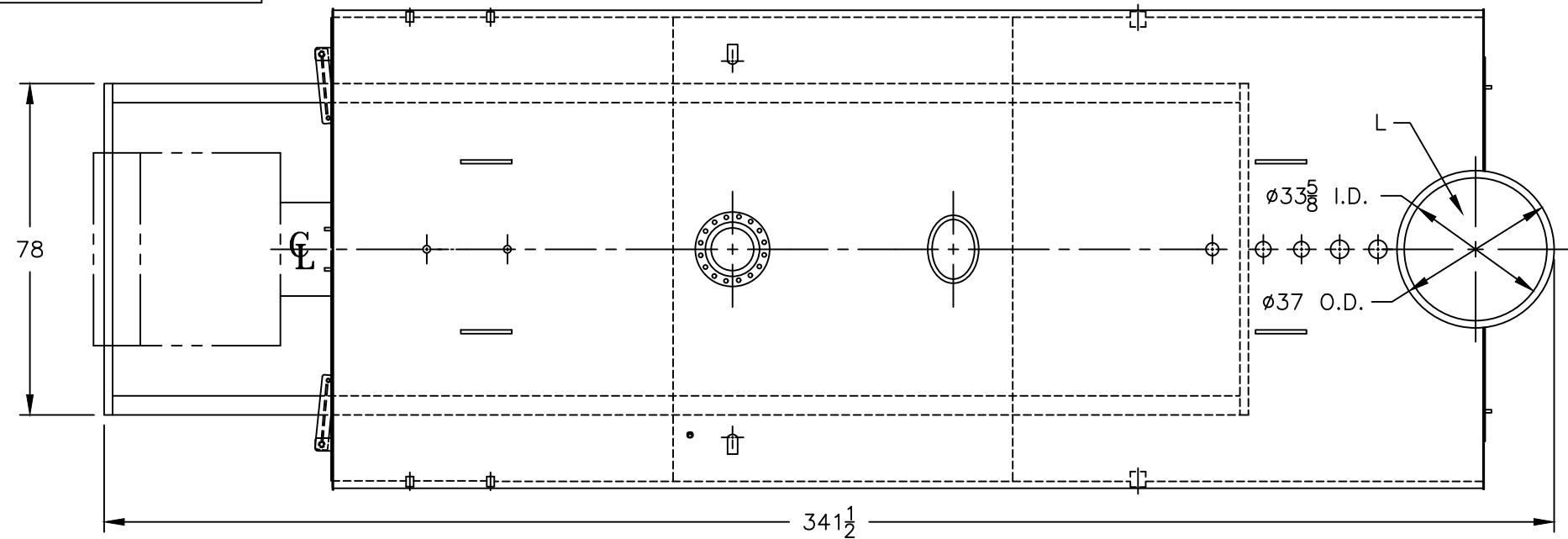
Firing Rate  
 1000 BTU Gas (MBH) - 33475  
 140000 BTU/Gal Oil (GPH) - 239.1  
 150000 BTU/Gal Oil (GPH) - 223.2

---

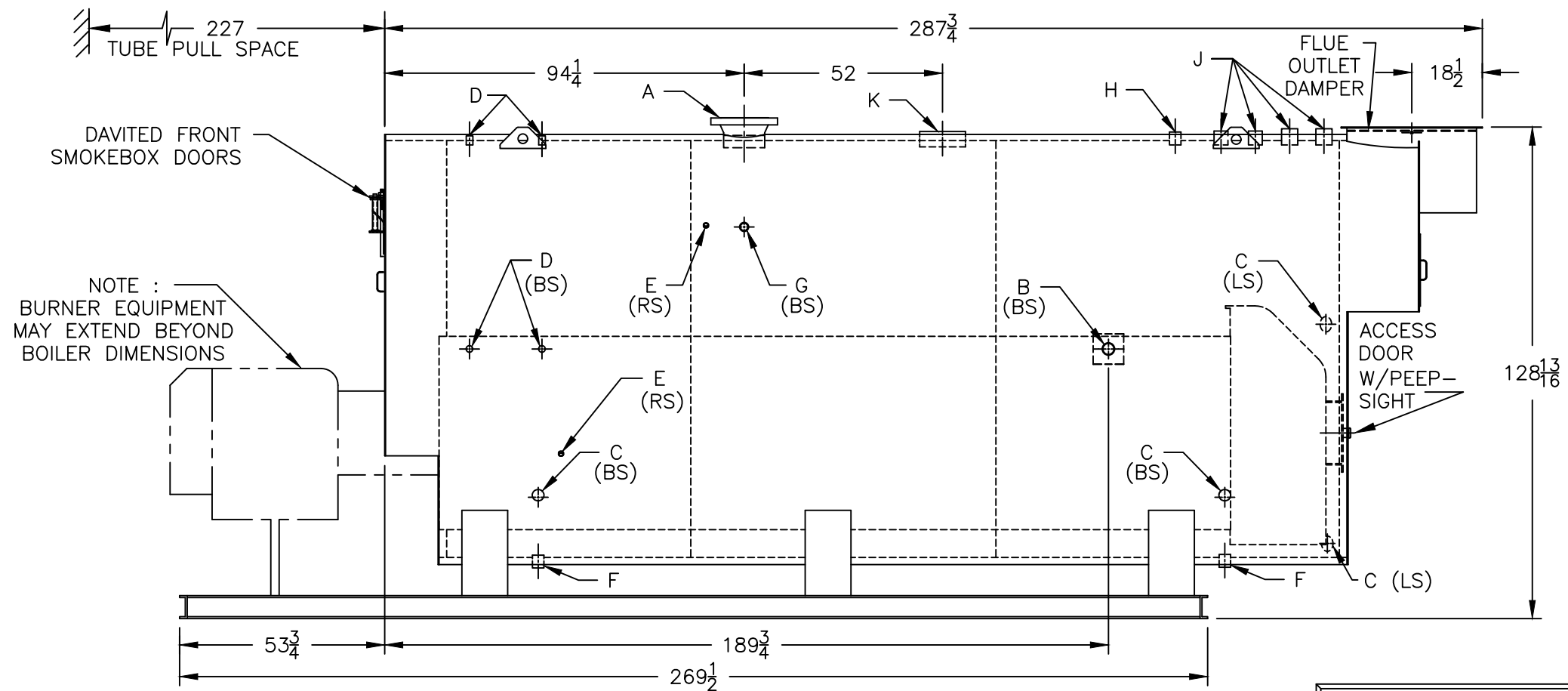
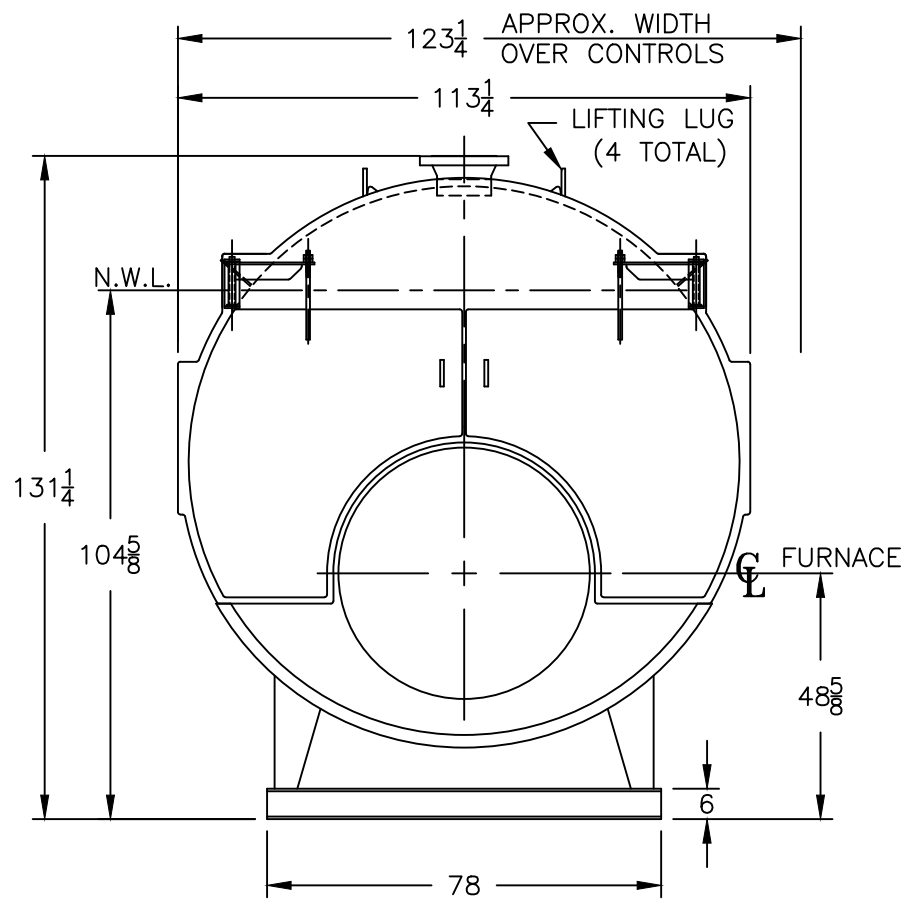
Water Content  
 Pounds - 34840  
 Gallons (U.S.) - 4182  
 Approximate Weight/LBS.  
 Dry - 52805  
 Wet - 87645

### LEGEND

- BS = BOTH SIDES
- RS = RIGHT SIDE
- LS = LEFT SIDE



### PROJECT: STANDARD BOILER



NOTE :  
 BURNER EQUIPMENT  
 MAY EXTEND BEYOND  
 BOILER DIMENSIONS

**MODEL 3P-800**  
**800 BHP**  
**150 PSI STEAM**