

BURNHAM®

Commercial Boilers

LEGEND CONNECTIONS

- A = 3" SUPPLY
- B = 1-1/4" RETURN
- C = 3" x 4" HANDHOLE
- D = 1" WATER COLUMN
- E = 3/4" AQUASTAT
- F = 1-1/2" BOTTOM BLOWDOWN
- G = 1-1/2" SURFACE BLOWOFF
- H = 2" AUXILIARY CONNECTION
- J = 2" SAFETY VALVE
- K = 12" X 16" MANHOLE
- L = 12" NOMINAL FLUE DIAMETER

RATINGS AND DATA

Shell Diameter : 54"
 Gross Output - BHP : 90
 Gross Output - MBH : 3013
 Gross Output - Lbs/Hr : 3105
 Net Rating - MBH : 2339
 Net Rating - Sq. Ft. : 9746
 Safety Valve - Lbs/Hr. : 3515

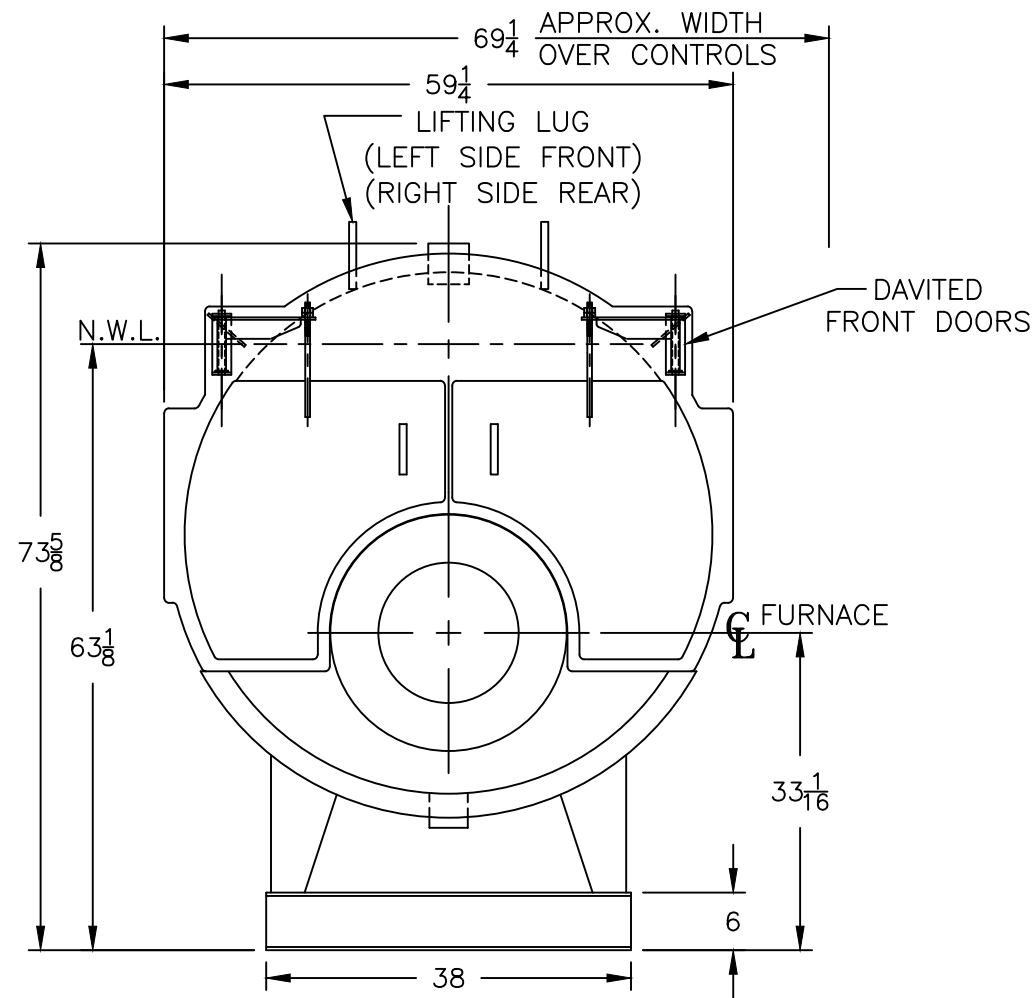
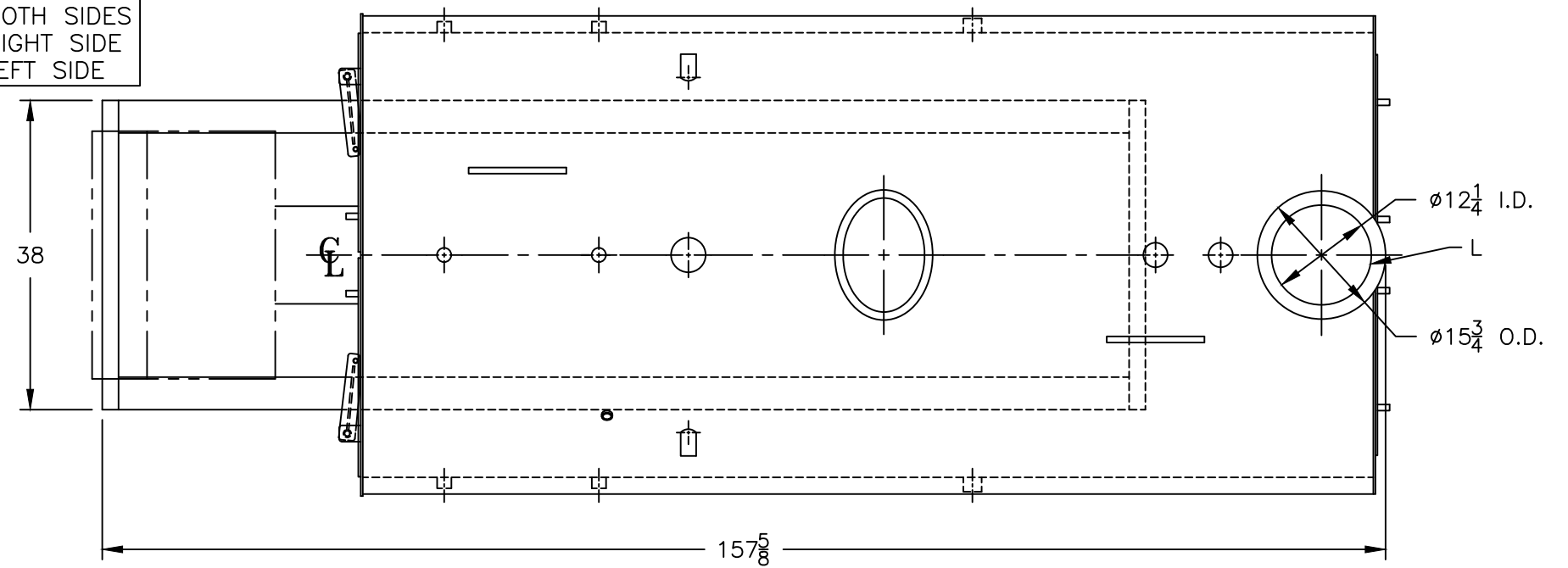
Heating Surface - Sq. Ft.
 Fireside - 450
 Firetubes
 Number - 106
 Diameter - 2" O.D.

Firing Rate
 1000 BTU Gas (MBH) - 3766
 140000 BTU/Gal Oil (GPH) - 25.9
 150000 BTU/Gal Oil (GPH) - 24.2

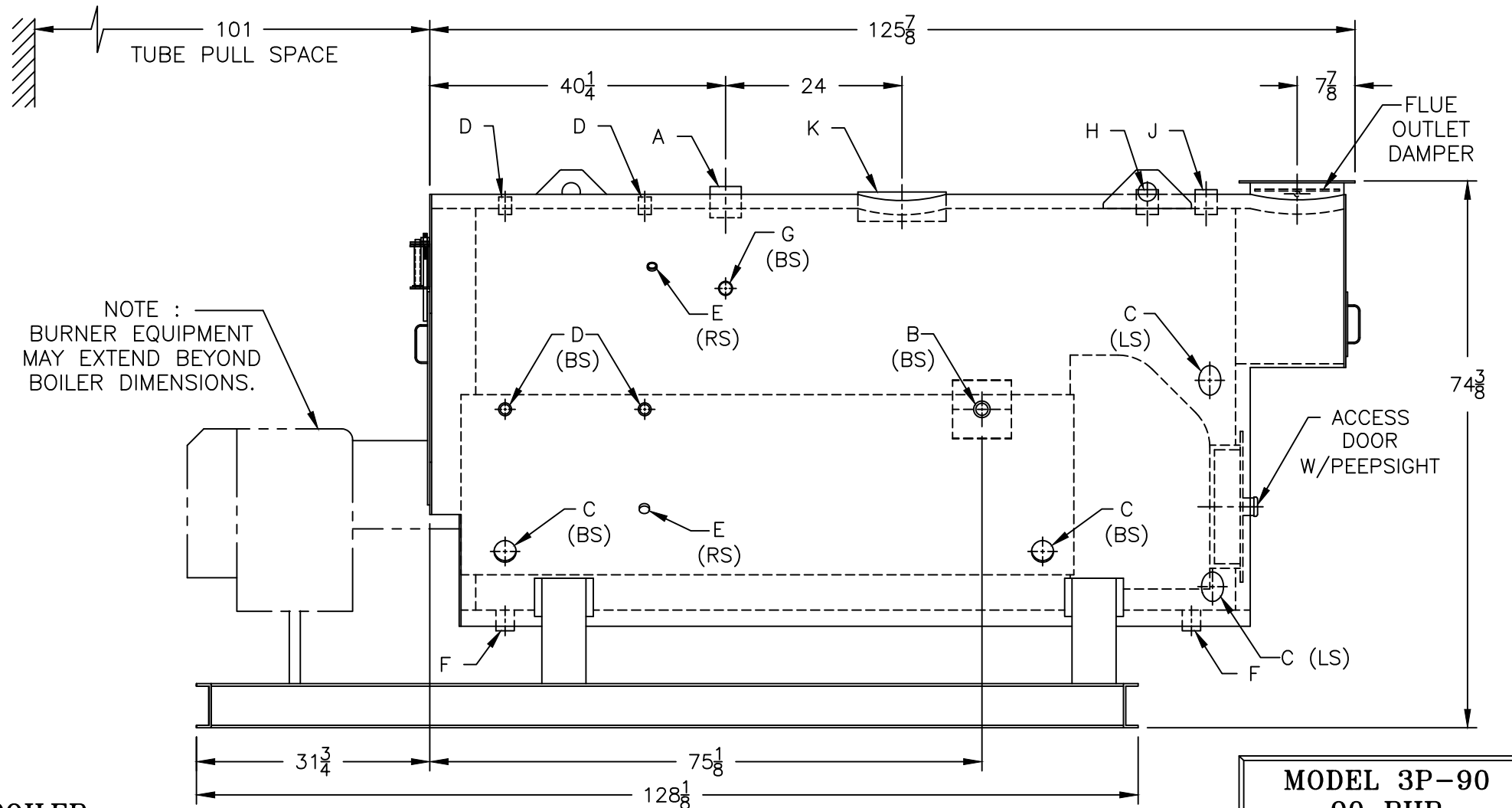
Water Content
 Pounds - 4637
 Gallons (U.S.) - 557
 Approximate Weight/LBS.
 Dry - 7200
 Wet - 11837

LEGEND

- BS = BOTH SIDES
- RS = RIGHT SIDE
- LS = LEFT SIDE



PROJECT: STANDARD BOILER



MODEL 3P-90
90 BHP
150 PSI STEAM