

BURNHAM®

Commercial Boilers

LEGEND CONNECTIONS

- A = 12" FLANGED SUPPLY (300#)
- B = 2-1/2" RETURN
- C = 3" x 4" HANDHOLE
- D = 1" WATER COLUMN
- E = 3/4" AQUASTAT
- F = 2" BOTTOM BLOWDOWN
- G = 2" SURFACE BLOWOFF
- H = 2" AUXILIARY CONNECTION
- J = 3" SAFETY VALVE (4)
- K = 12" x 16" MANHOLE
- L = 36" NOMINAL FLUE DIAMETER

RATINGS AND DATA

Shell Diameter : 114"
 Gross Output - BHP : 900
 Gross Output - MBH : 30128
 Gross Output - Lbs/Hr : 31050
 Net Rating - MBH : 23391
 Net Rating - Sq. Ft. : 97462
 Safety Valve - Lbs/Hr. : 35147

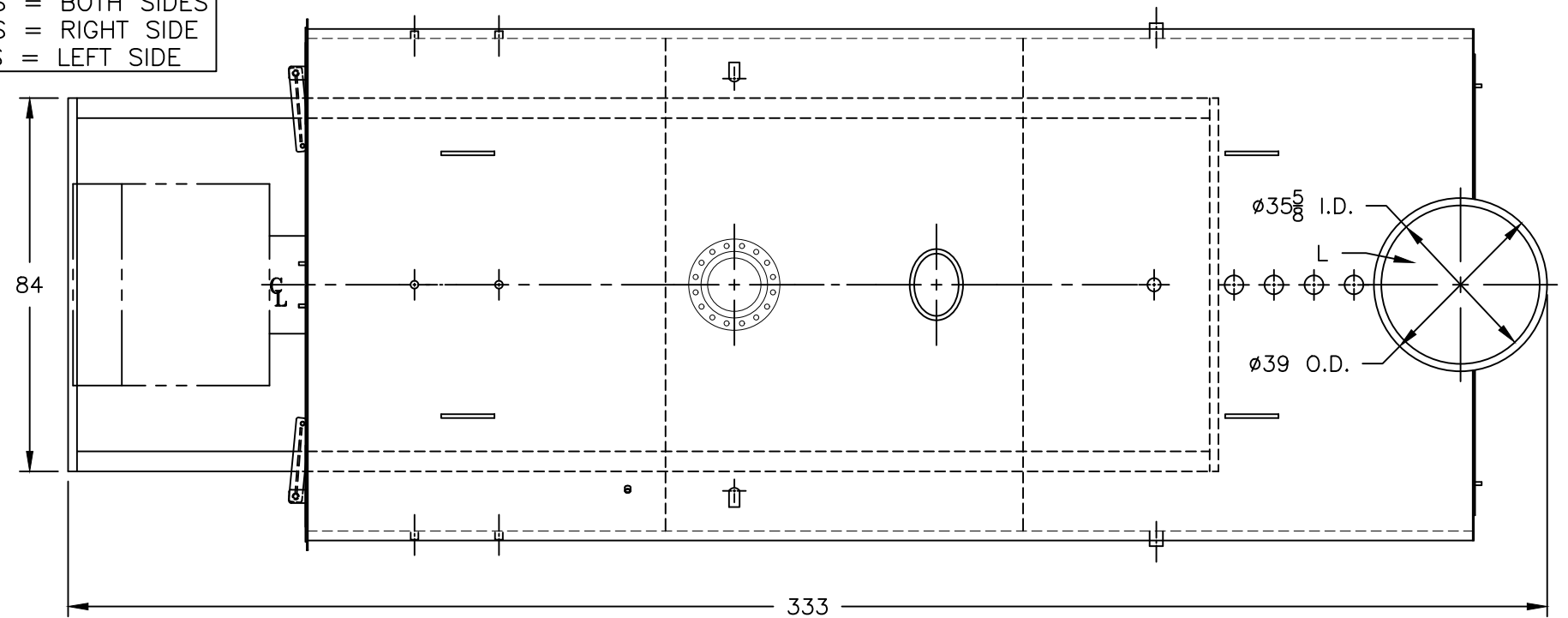
Heating Surface - Sq. Ft.
 Fireside - 4500
 Firetubes
 Number - 410
 Diameter - 2.5" O.D.

Firing Rate
 1000 BTU Gas (MBH) - 37659
 140000 BTU/Gal Oil (GPH) - 269.0
 150000 BTU/Gal Oil (GPH) - 251.1

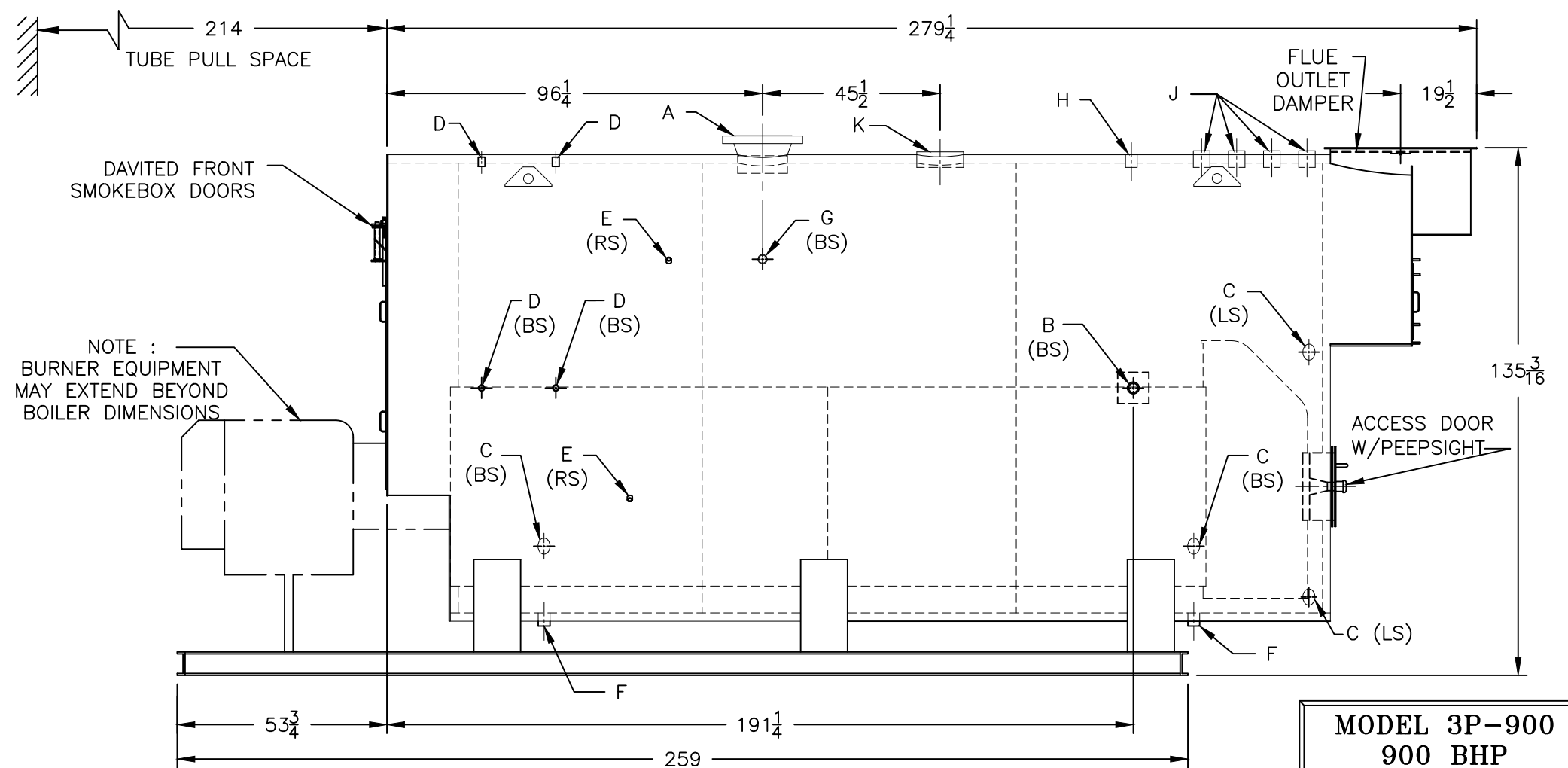
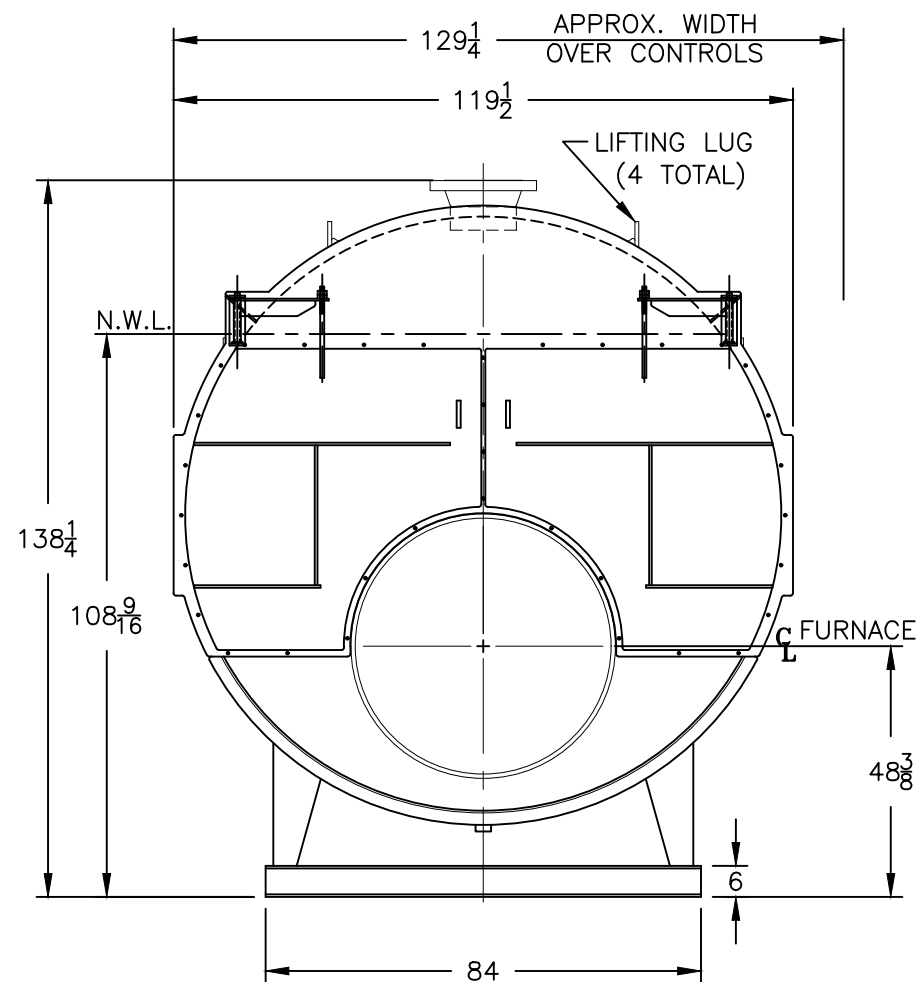
Water Content
 Pounds - 36410
 Gallons (U.S.) - 4371
 Approximate Weight/LBS.
 Dry - 56480
 Wet - 92890

LEGEND

- BS = BOTH SIDES
- RS = RIGHT SIDE
- LS = LEFT SIDE



PROJECT: STANDARD BOILER



MODEL 3P-900
900 BHP
150 PSI STEAM

SPECIFICATIONS SUBJECT TO CHANGE WITHOUT NOTICE ALL CONNECTIONS ARE THREADED UNLESS OTHERWISE SPECIFIED

THIS DOCUMENT CONTAINS CONFIDENTIAL INFORMATION WHICH IS THE PROPERTY OF BURNHAM COMMERCIAL. THIS DOCUMENT MAY NOT BE REPRODUCED, TRANSFERRED OR USED, OR ITS CONTENTS DISCLOSED, WITHOUT THE WRITTEN PERMISSION OF THE OWNER.