

BURNHAM®

Commercial Boilers

RATINGS AND DATA

Shell Diameter : 54"
 Gross Output - BHP : 105.5
 Gross Output - MBH : 3531
 Net Rating - MBH : 3071
 Relief Valve - MBH : 4000

Heating Surface - Sq. Ft.
 Fireside - 500

Firetubes
 Number - 106
 Diameter - 2" O.D.

Firing Rate
 1000 BTU Gas (MBH) - 4184
 140000 BTU/Gal Oil (GPH) - 28.9
 150000 BTU/Gal Oil (GPH) - 27.0

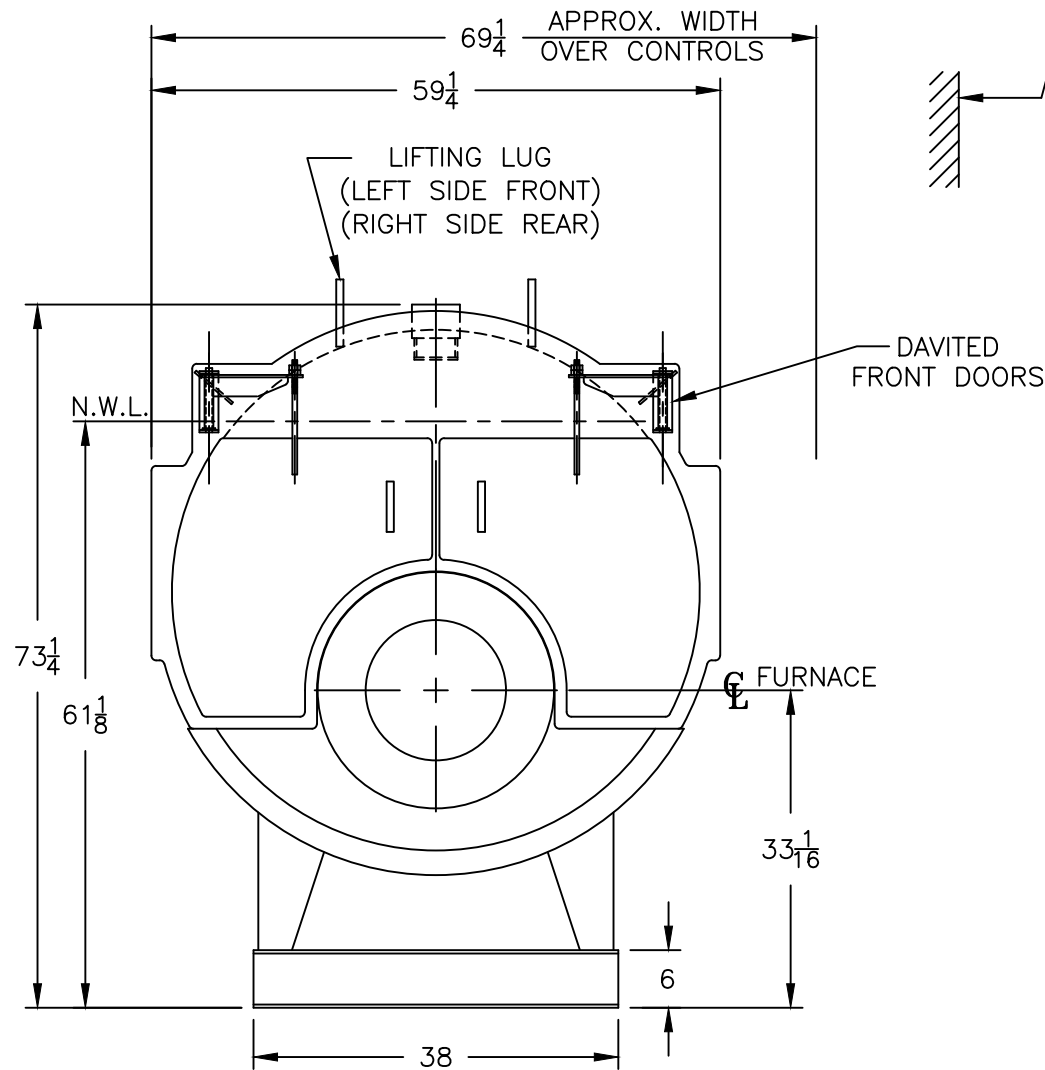
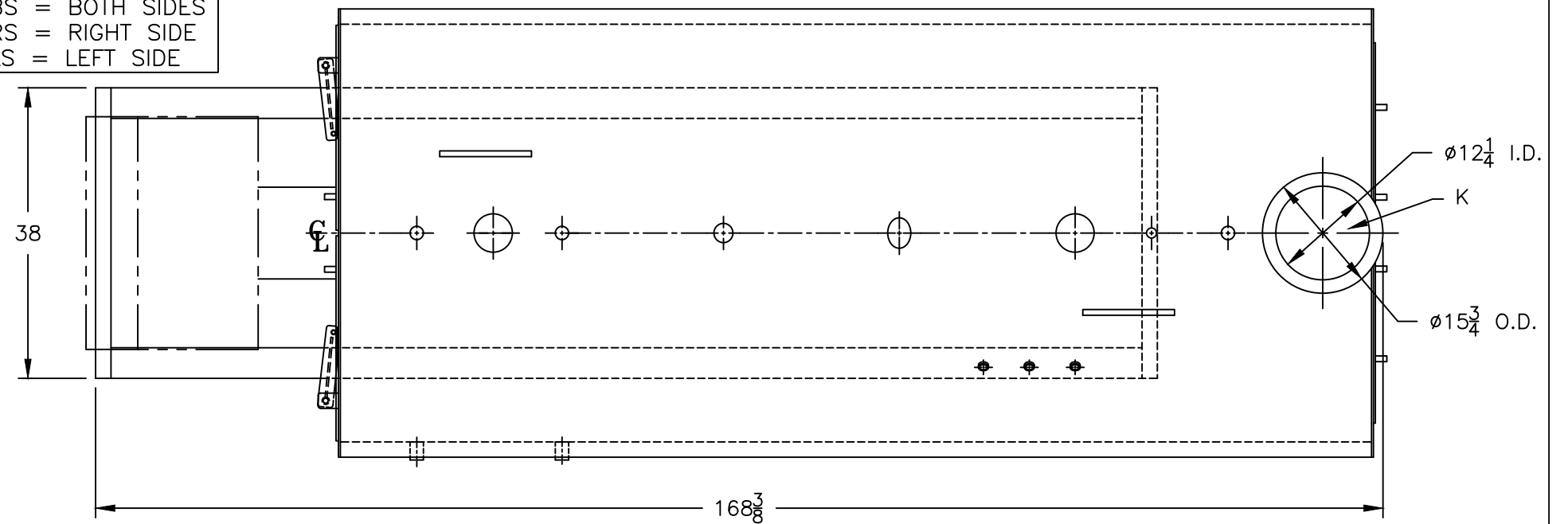
Water Content
 Pounds - 5860
 Gallons (U.S.) - 704
 Approximate Weight/LBS.
 Dry - 7800
 Wet - 13660

LEGEND CONNECTIONS

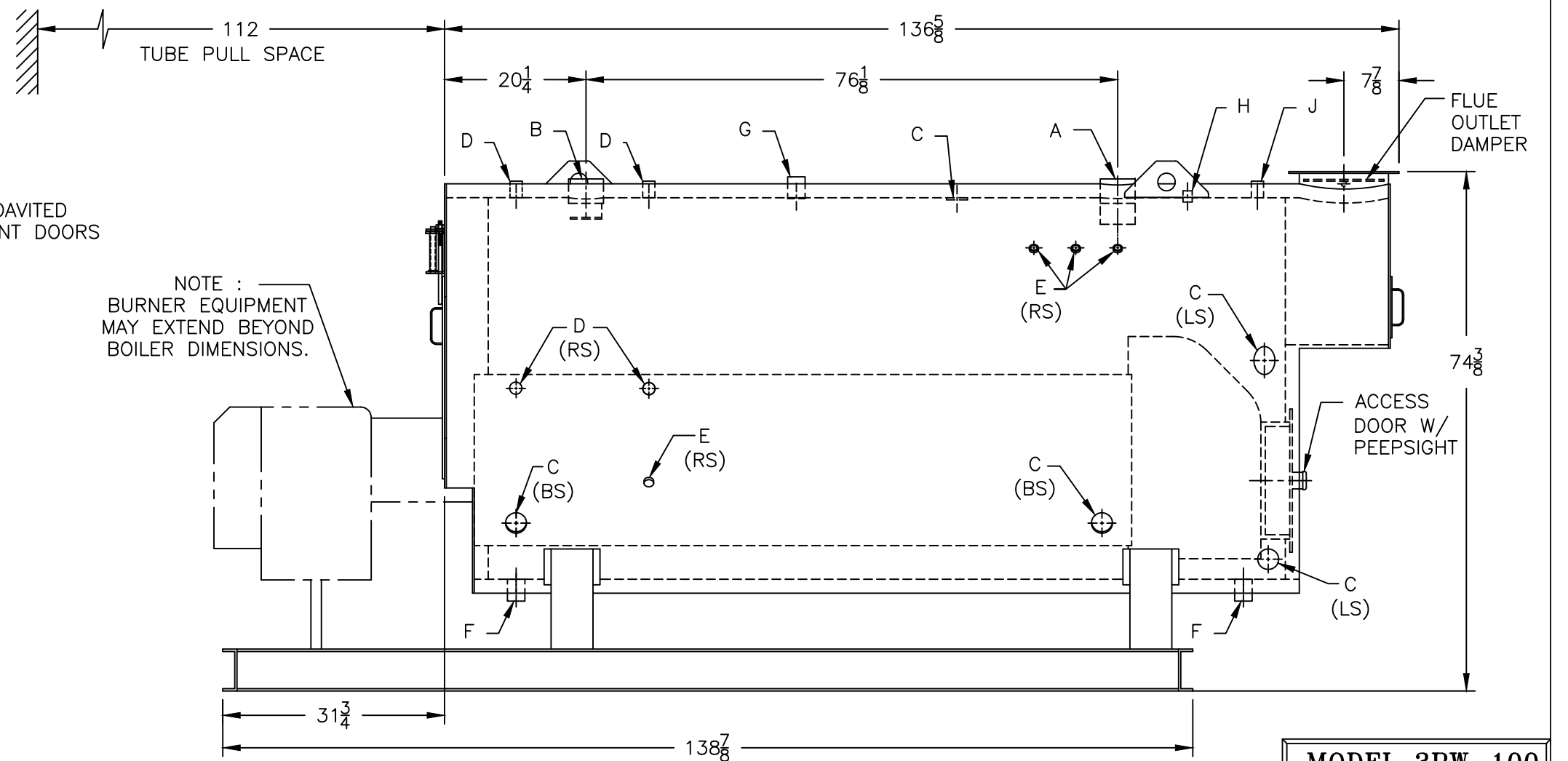
- A = 4" SUPPLY
- B = 4" RETURN
- C = 3" x 4" HANDHOLE
- D = 1" WATER COLUMN
- E = 3/4" AQUASTAT
- F = 1-1/2" BOTTOM BLOWDOWN
- G = 1-1/2" AUXILIARY CONNECTION
- H = 3/4" TEMPERATURE GAUGE
- J = 1 1/4" SAFETY/RELIEF VALVE
- K = 12" NOMINAL FLUE DIAMETER

LEGEND

- BS = BOTH SIDES
- RS = RIGHT SIDE
- LS = LEFT SIDE



NOTE :
 BURNER EQUIPMENT
 MAY EXTEND BEYOND
 BOILER DIMENSIONS.



PROJECT: STANDARD BOILER

MODEL 3PW-100
105.5 BHP
125 PSI WATER