

BURNHAM®

Commercial Boilers

RATINGS AND DATA

Shell Diameter : 66"
 Gross Output - BHP : 128
 Gross Output - MBH : 4283
 Net Rating - MBH : 3725
 Relief Valve - MBH : 5000

Heating Surface - Sq. Ft.
 Fireside - 625
 Firetubes
 Number - 182
 Diameter - 2" O.D.

Firing Rate
 1000 BTU Gas (MBH) - 5230
 140000 BTU/GAL (GPH) - 35.7
 150000 BTU/GAL (GPH) - 33.3

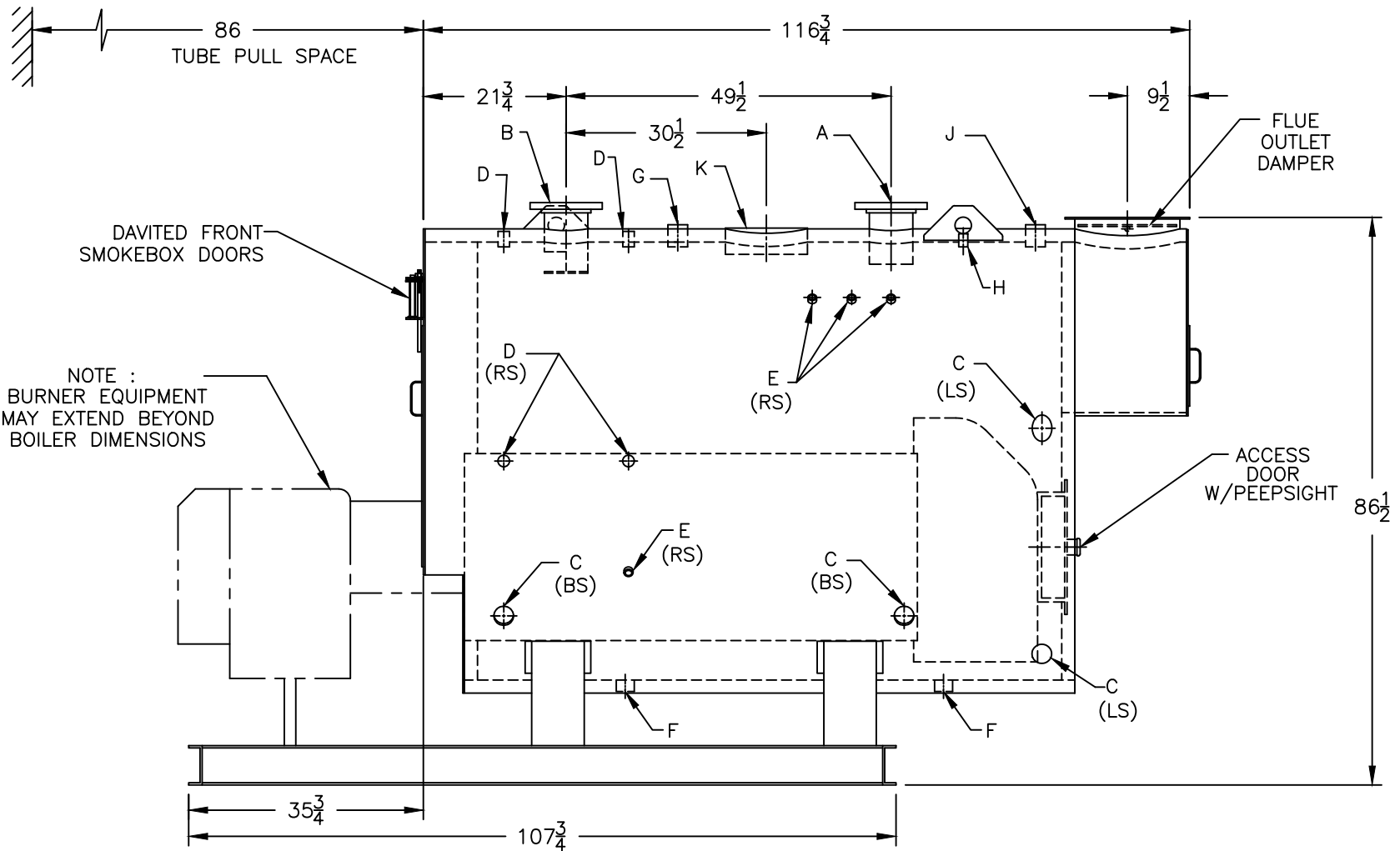
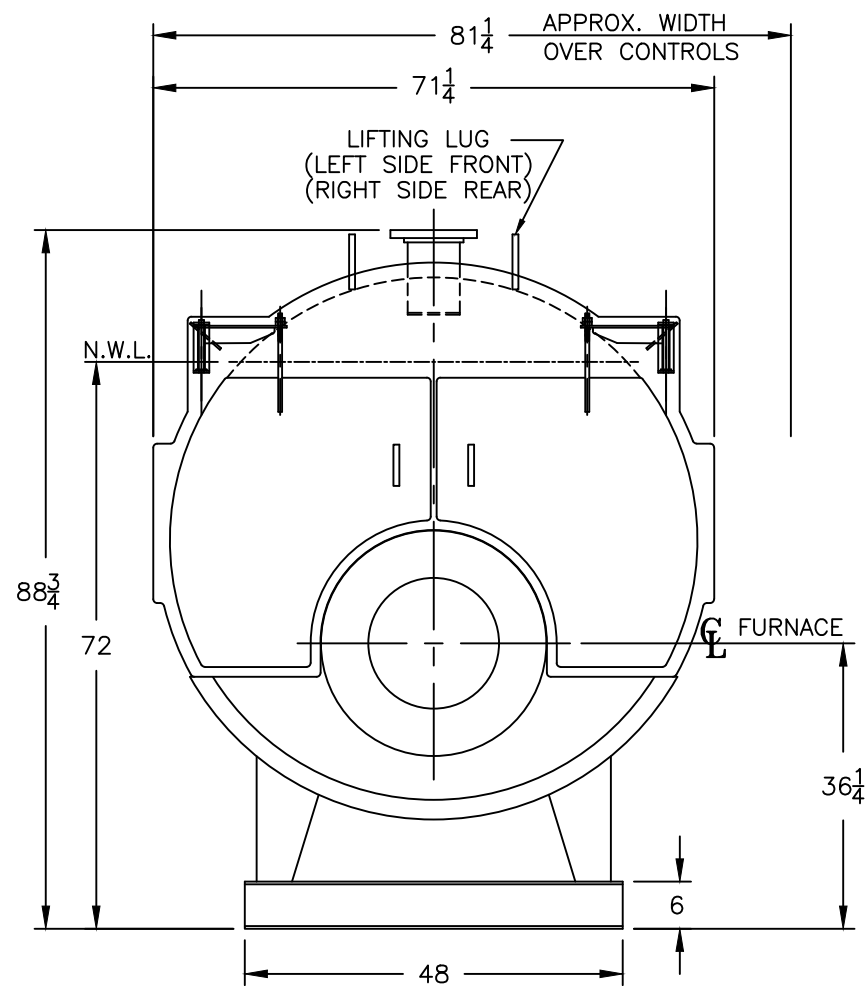
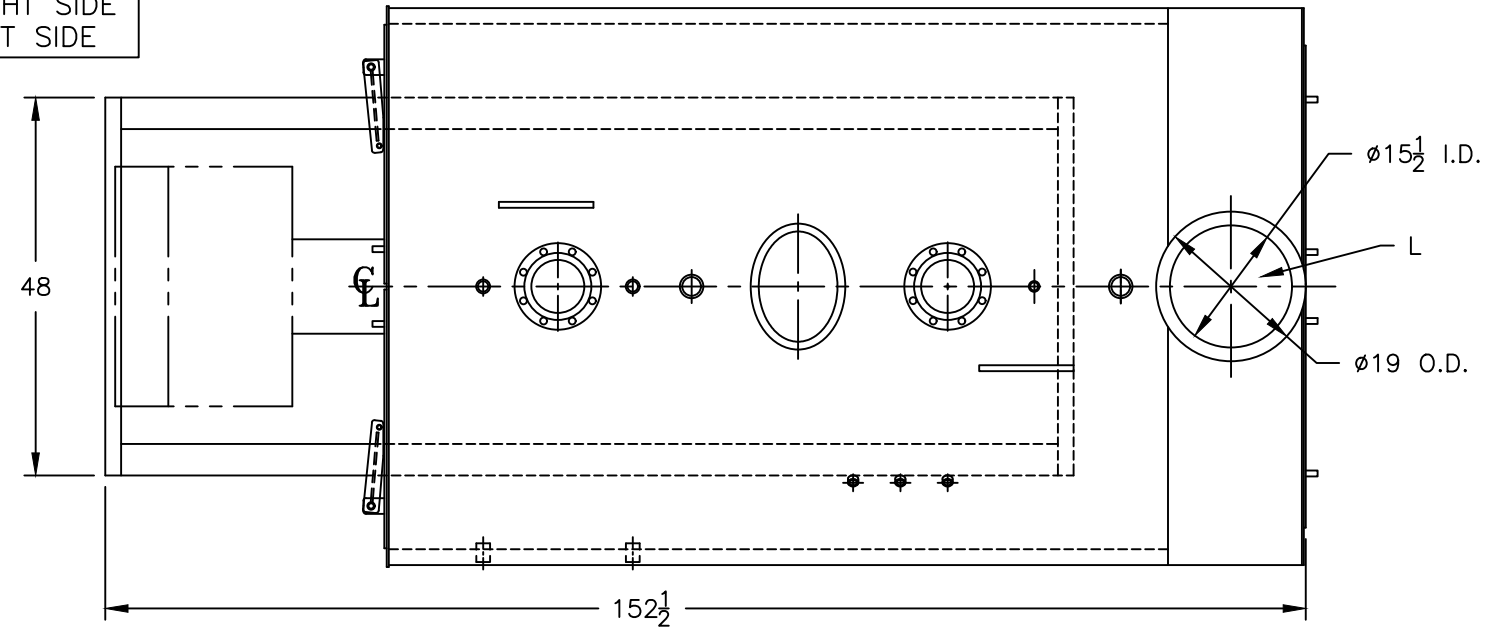
Water Content
 Pounds - 6612
 Gallons (U.S.) - 794
 Approximate Weight/LBS.
 Dry - 9500
 Wet - 16112

LEGEND

BS = BOTH SIDES
 RS = RIGHT SIDE
 LS = LEFT SIDE

LEGEND CONNECTIONS

- A = 6" FLANGED SUPPLY (150#)
- B = 6" FLANGED RETURN (150#)
- C = 3" x 4" HANDHOLE
- D = 1" WATER COLUMN
- E = 3/4" AQUASTAT
- F = 2" BOTTOM BLOWDOWN
- G = 2" AUXILIARY CONNECTION
- H = 3/4" TEMPERATURE GAUGE
- J = 1-1/2" RELIEF VALVE
- K = 12" x 16" MANHOLE
- L = 16" NOMINAL FLUE DIAMETER



PROJECT: STANDARD BOILER

MODEL 3PW-125
 128 BHP
 125 PSI WATER