

BURNHAM®

Commercial Boilers

RATINGS AND DATA

Shell Diameter : 66"
 Gross Output - BHP : 156.6
 Gross Output - MBH : 5241
 Net Rating - MBH : 4558
 Relief Valve - MBH : 6000

Heating Surface - Sq. Ft.
 Fireside - 750

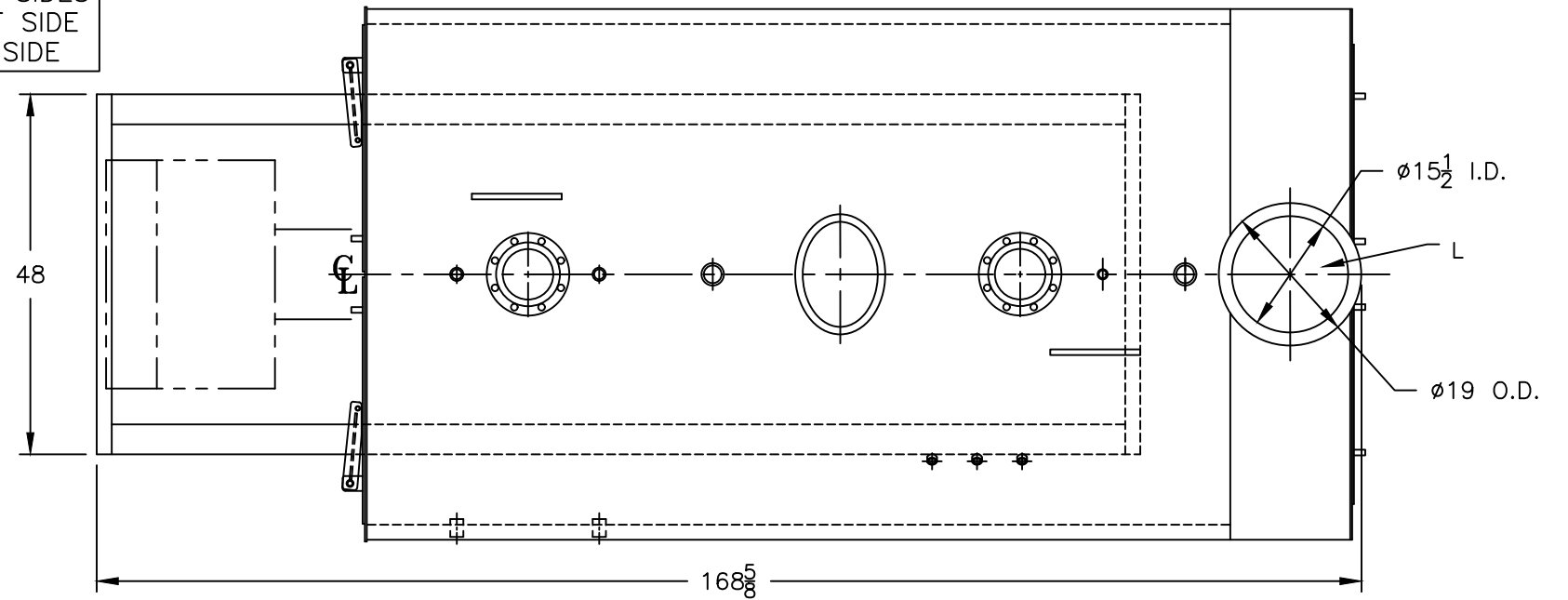
Firetubes
 Number - 182
 Diameter - 2" O.D.

Firing Rate
 1000 BTU Gas (MBH) - 6277
 140000 BTU/GAL (GPH) - 43.1
 150000 BTU/GAL (GPH) - 40.2

Water Content
 Pounds - 7900
 Gallons (U.S.) - 948
 Approximate Weight/LBS.
 Dry - 13600
 Wet - 21500

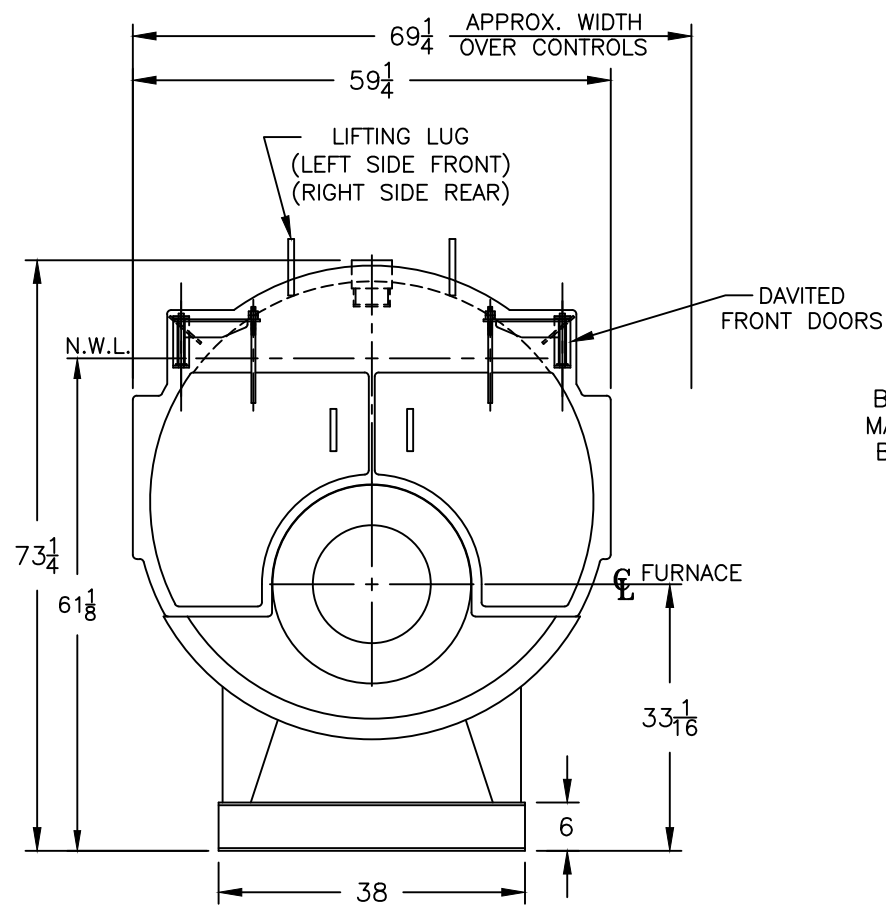
LEGEND

BS = BOTH SIDES
 RS = RIGHT SIDE
 LS = LEFT SIDE

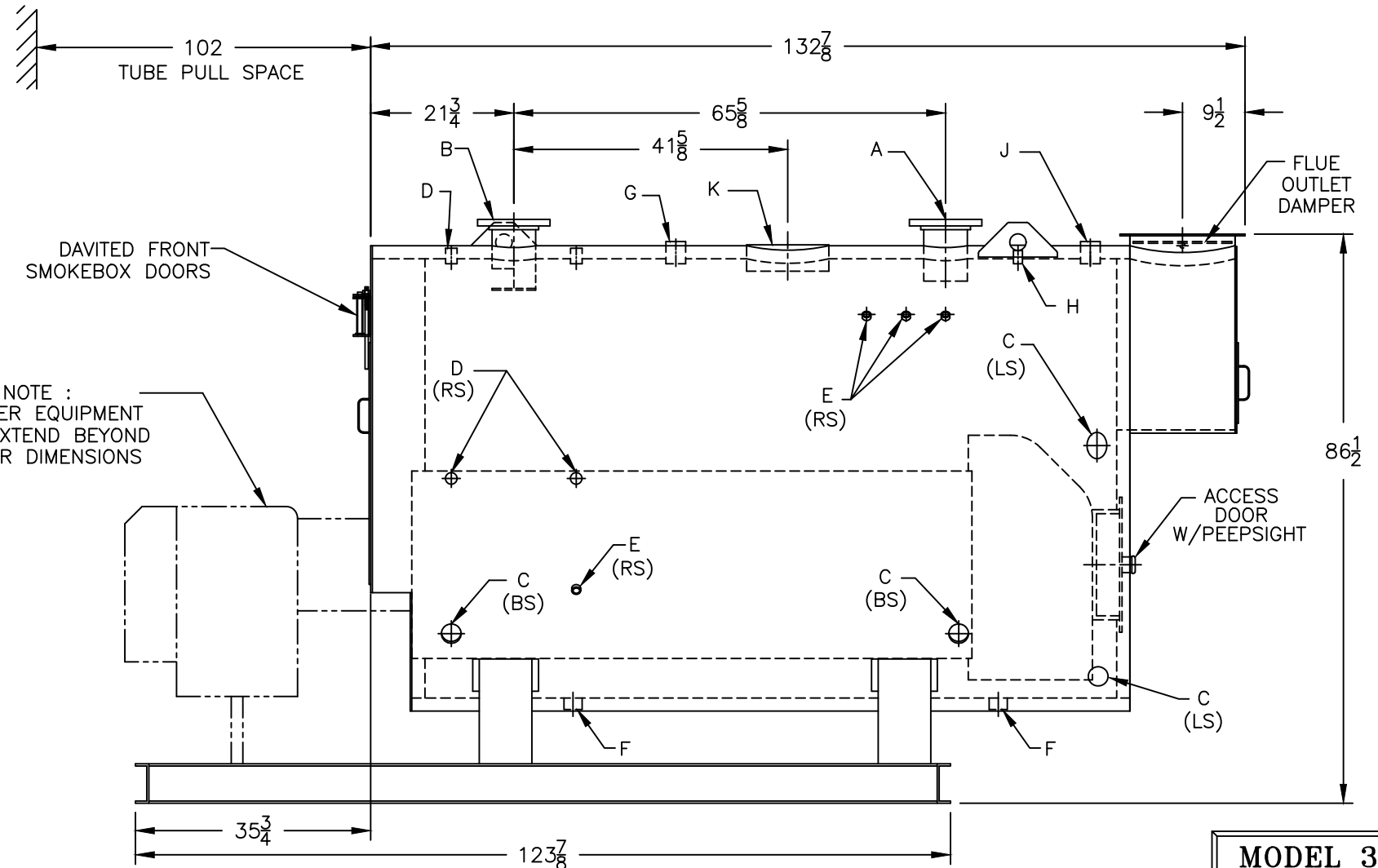


LEGEND CONNECTIONS

- A = 6" FLANGED SUPPLY (150#)
- B = 6" FLANGED RETURN (150#)
- C = 3" x 4" HANDHOLE
- D = 1" WATER COLUMN
- E = 3/4" AQUASTAT
- F = 2" BOTTOM BLOWDOWN
- G = 2" EXPANSION TANK
- H = 3/4" TEMPERATURE GAUGE
- J = 2" RELIEF VALVE
- K = 12" x 16" MANHOLE



PROJECT: STANDARD BOILER



MODEL 3PW-150
156.6 BHP
125 PSI WATER