

# BURNHAM®

## Commercial Boilers

### RATINGS AND DATA

Shell Diameter : 66"  
 Gross Output - BHP : 213  
 Gross Output - MBH : 7130  
 Net Rating - MBH : 6200  
 Relief Valve - MBH : 8000

Heating Surface - Sq. Ft.  
 Fireside - 1000

Firetubes  
 Number - 182  
 Diameter - 2" O.D.

Firing Rate  
 1000 BTU Gas (MBH) - 8369  
 140000 BTU/GAL (GPH) - 57.6  
 150000 BTU/GAL (GPH) - 53.8

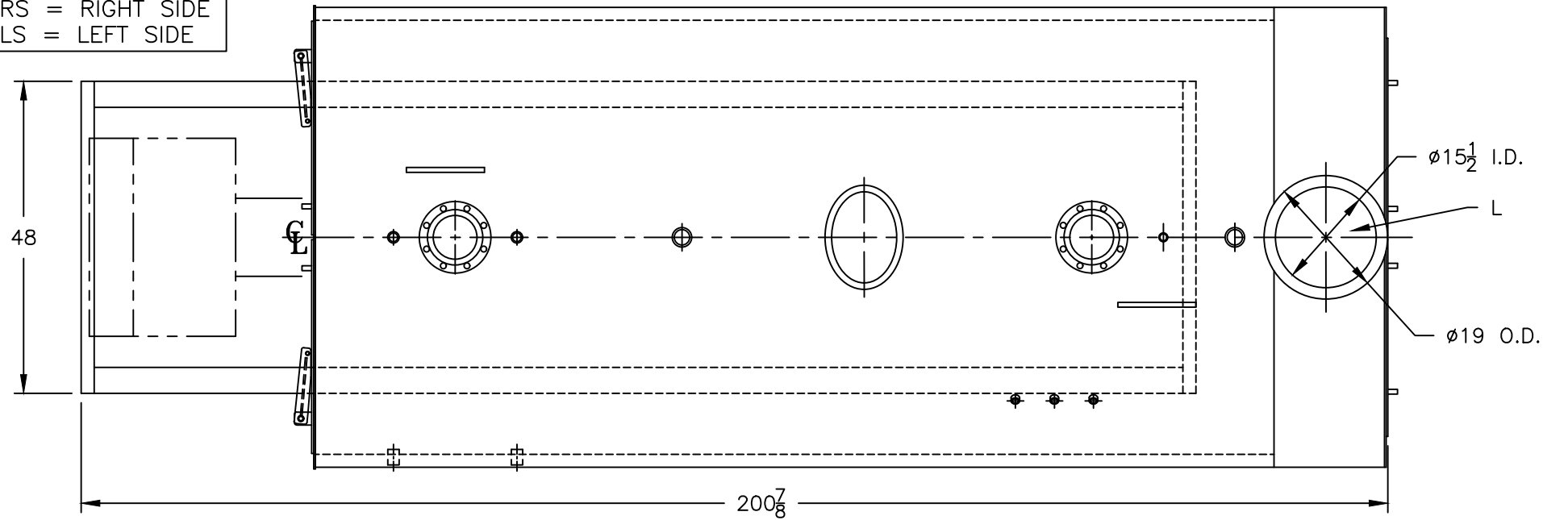
Water Content  
 Pounds - 10475  
 Gallons (U.S.) - 1258  
 Approximate Weight/LBS.  
 Dry - 13300  
 Wet - 23775

### LEGEND

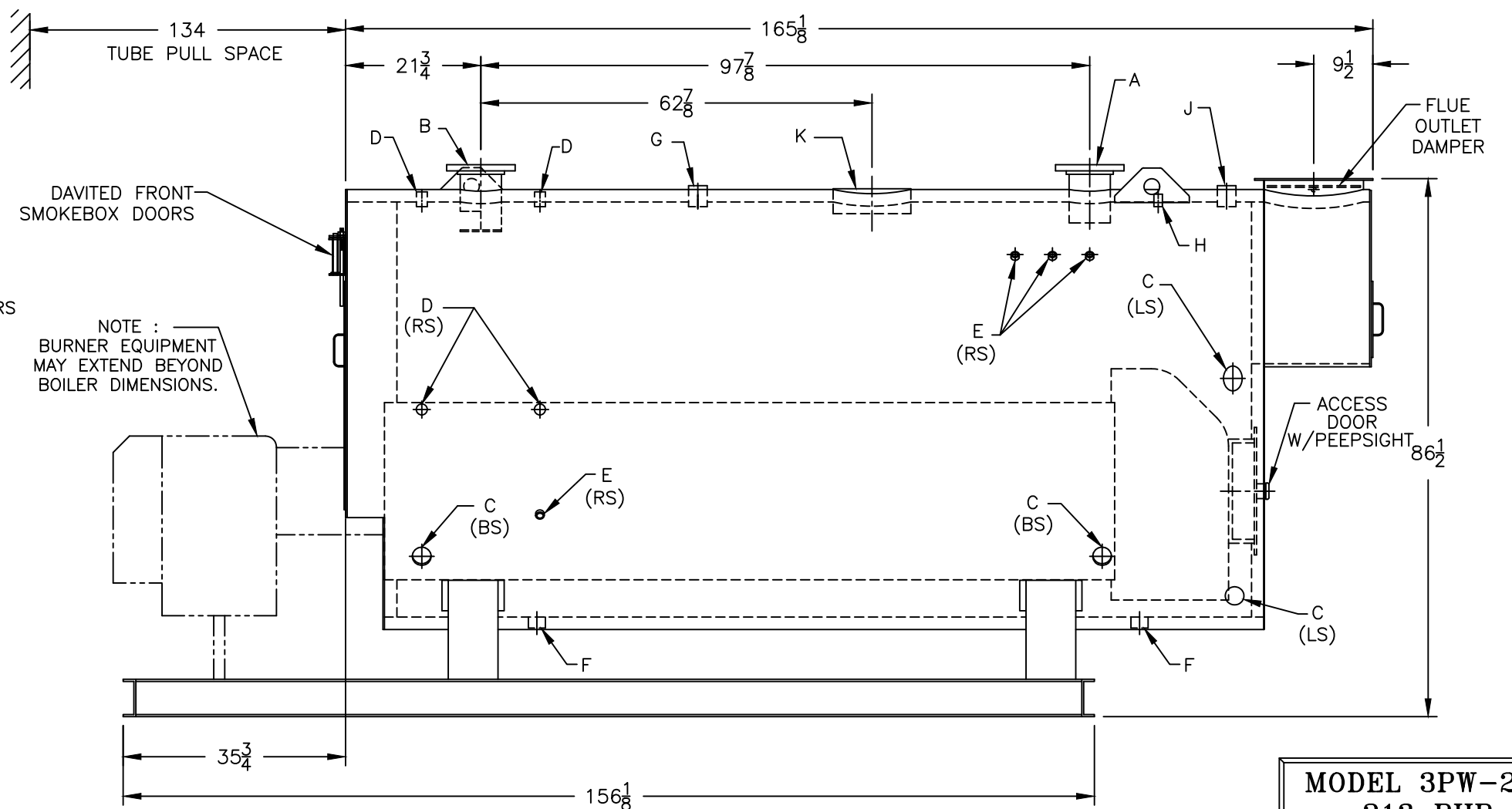
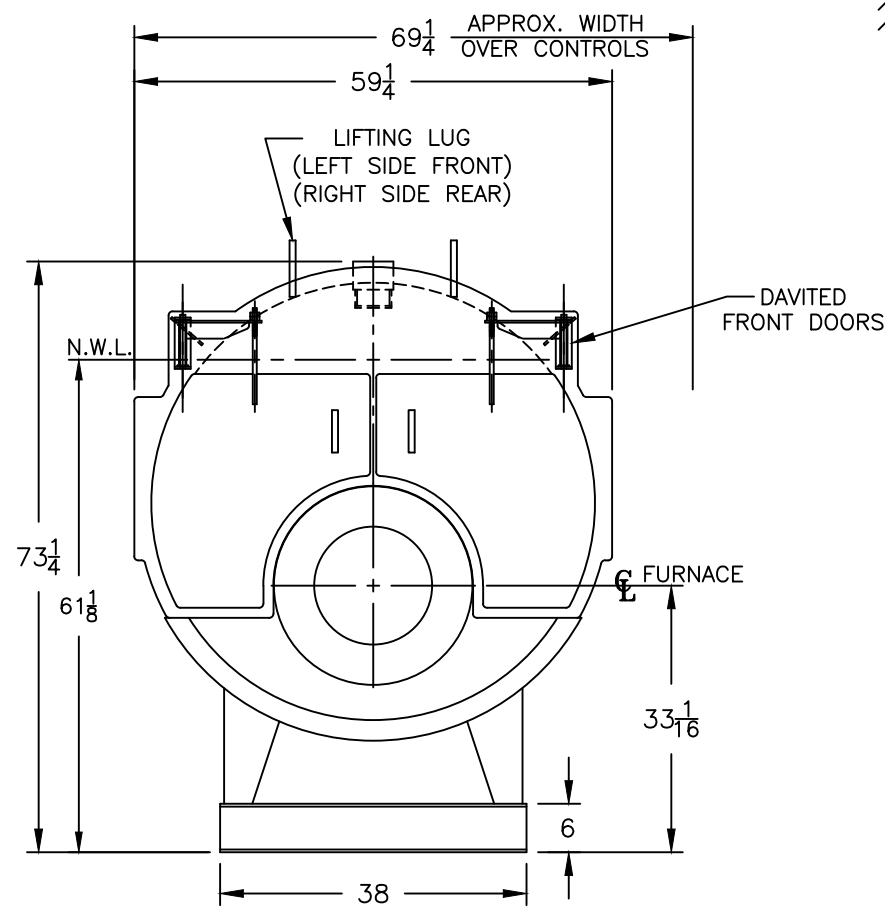
BS = BOTH SIDES  
 RS = RIGHT SIDE  
 LS = LEFT SIDE

### LEGEND CONNECTIONS

- A = 6" FLANGED SUPPLY (150#)
- B = 6" FLANGED RETURN (150#)
- C = 3" x 4" HANDHOLE
- D = 1" WATER COLUMN
- E = 3/4" AQUASTAT
- F = 2" BOTTOM BLOWDOWN
- G = 2" EXPANSION TANK
- H = 3/4" TEMPERATURE GAUGE
- J = 2" RELIEF VALVE
- K = 12" x 16" MANHOLE
- L = 16" NOMINAL FLUE DIAMETER



### PROJECT: STANDARD BOILER



NOTE :  
 BURNER EQUIPMENT  
 MAY EXTEND BEYOND  
 BOILER DIMENSIONS.

**MODEL 3PW-200**  
**213 BHP**  
**125 PSI WATER**