

# BURNHAM®

## Commercial Boilers

### RATINGS AND DATA

Shell Diameter : 48"  
 Gross Output - BHP : 41.1  
 Gross Output - MBH : 1374  
 Net Rating - MBH : 1195  
 Safety Valve - MBH : 1600

Heating Surface - Sq. Ft.  
 Fireside - 200  
 Firetubes  
 Number - 92  
 Diameter - 2" O.D.

Firing Rate  
 1000 BTU Gas (MBH) - 1674  
 140000 BTU/Gal Oil (GPH) - 11.7  
 150000 BTU/Gal Oil (GPH) - 10.9

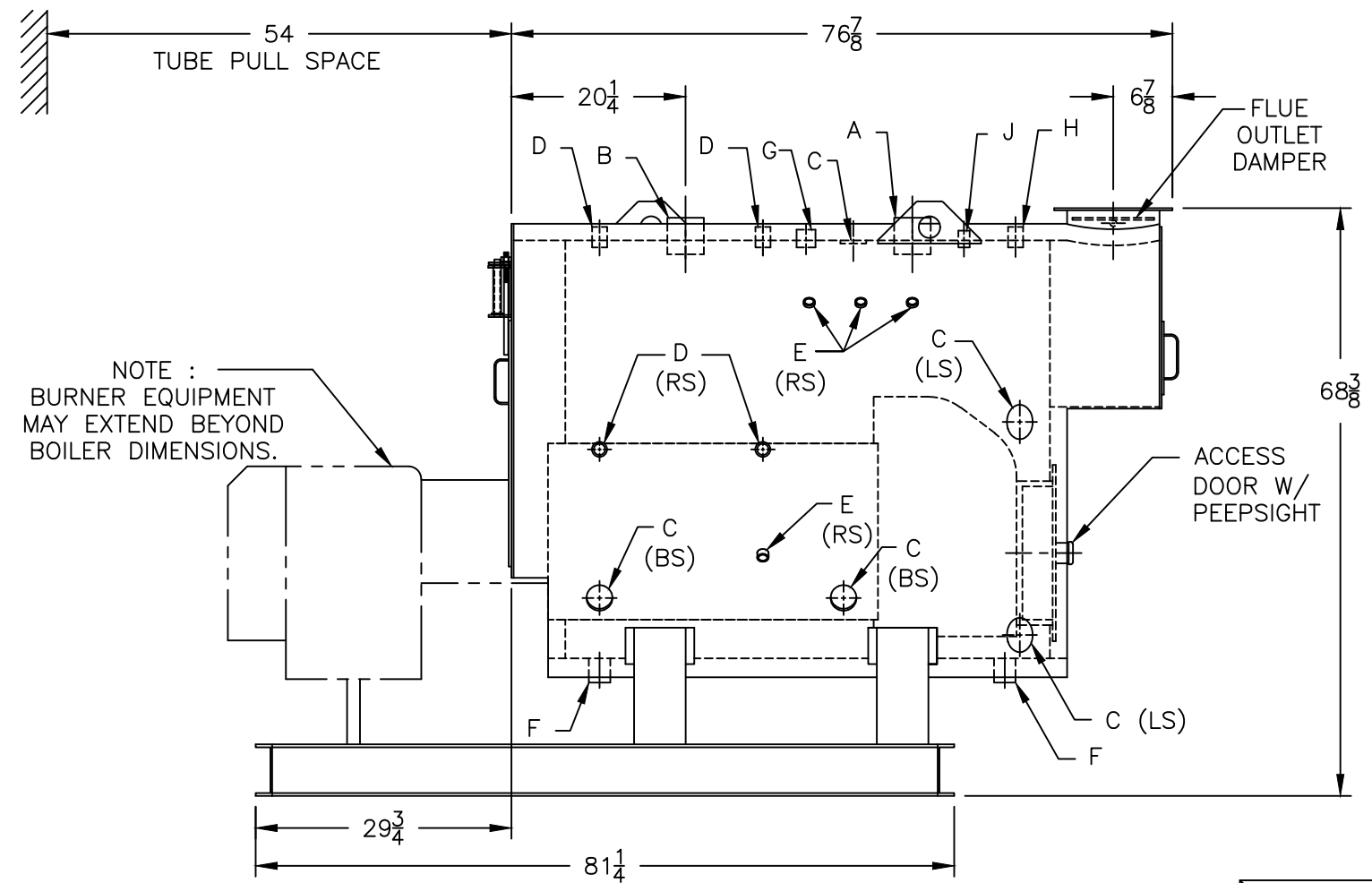
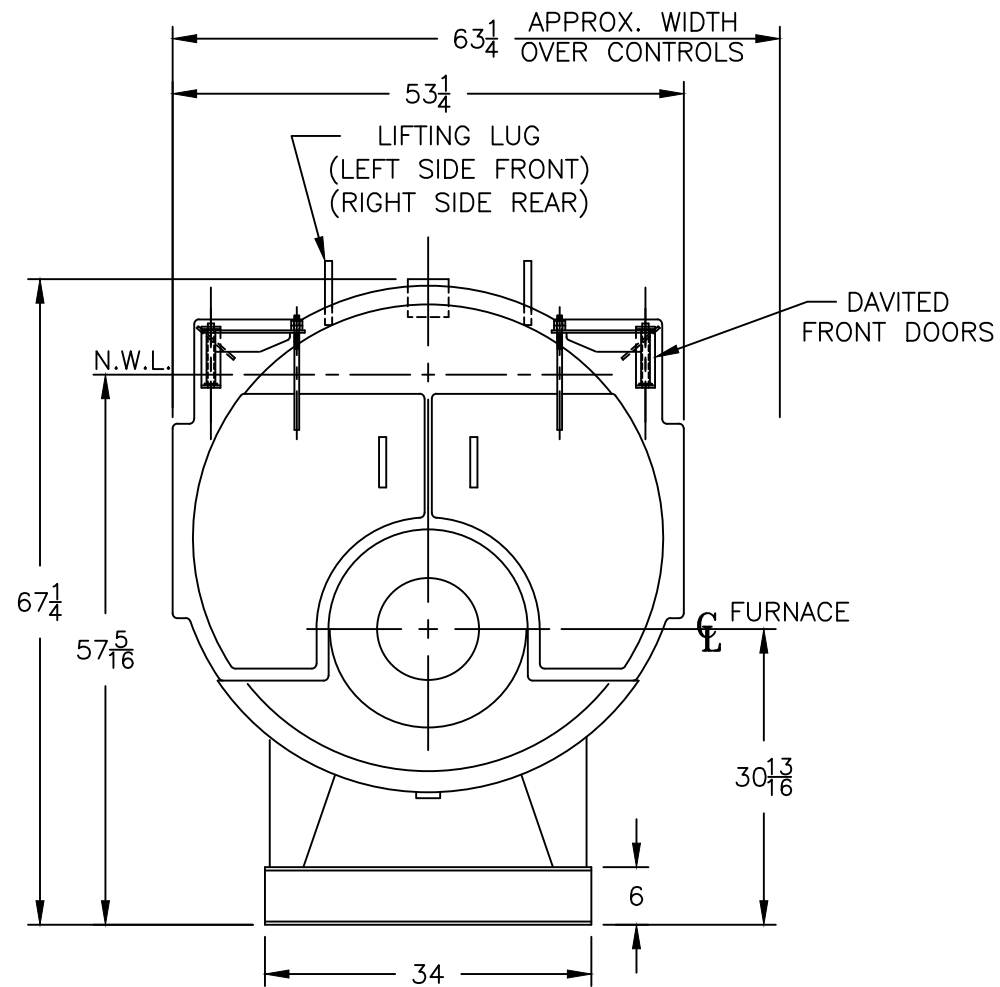
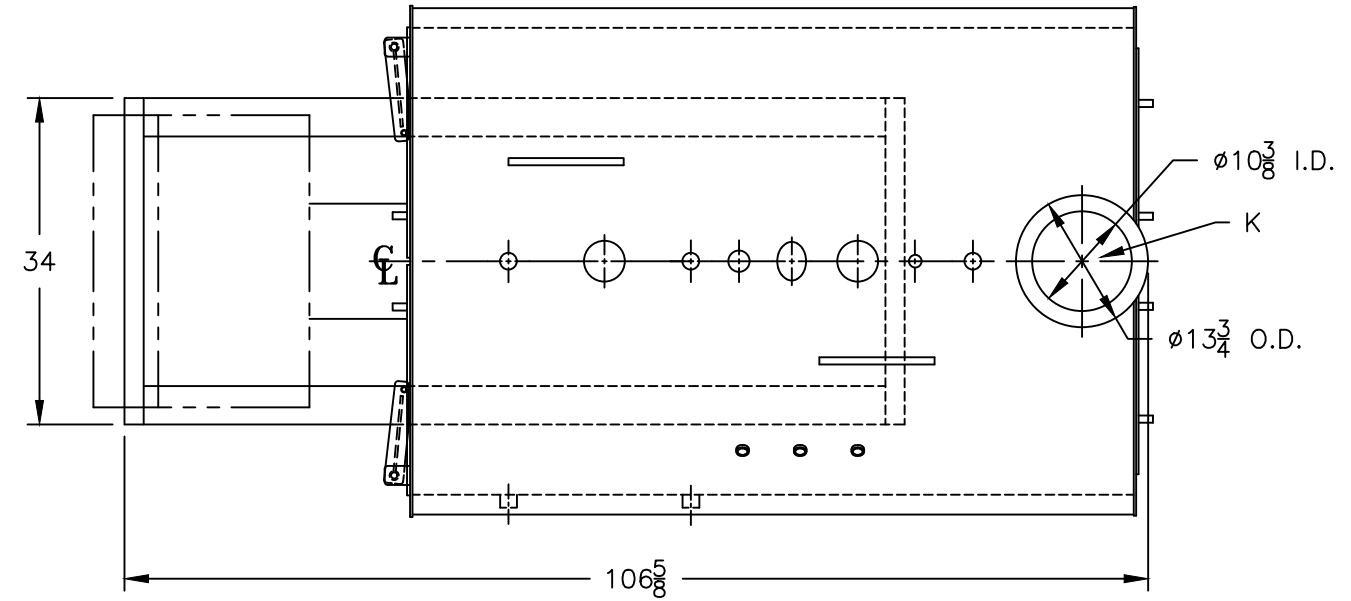
Water Content  
 Pounds - 2177  
 Gallons (U.S.) - 261  
 Approximate Weight/LBS.  
 Dry - 4730  
 Wet - 6907

### LEGEND

BS = BOTH SIDES  
 RS = RIGHT SIDE  
 LS = LEFT SIDE

### LEGEND CONNECTIONS

- A = 4" SUPPLY
- B = 4" RETURN
- C = 3" x 4" HANDHOLE
- D = 1" WATER COLUMN
- E = 3/4" AQUASTAT/LFHA
- F = 1-1/2" BOTTOM BLOWDOWN
- G = 1-1/2" AUXILIARY CONNECTION
- H = 1" RELIEF VALVE
- J = 3/4" TEMPERATURE GAUGE
- K = 10" NOMINAL FLUE DIAMETER



PROJECT: STANDARD BOILER

**MODEL 3PW-40**  
**41.1 BHP**  
**125 PSI WATER**

SPECIFICATIONS SUBJECT TO CHANGE WITHOUT NOTICE ALL CONNECTIONS ARE THREADED UNLESS OTHERWISE SPECIFIED

THIS DOCUMENT CONTAINS CONFIDENTIAL INFORMATION WHICH IS THE PROPERTY OF BURNHAM COMMERCIAL. THIS DOCUMENT MAY NOT BE REPRODUCED, TRANSFERRED OR USED, OR ITS CONTENTS DISCLOSED, WITHOUT THE WRITTEN PERMISSION OF THE OWNER.

9/3/24 TS-2-122-2