

BURNHAM®

Commercial Boilers

RATINGS AND DATA

Shell Diameter : 102"
 Gross Output - BHP : 524.4
 Gross Output - MBH : 17554
 Net Rating - MBH : 15264
 Safety Valve - MBH : 20000

LEGEND CONNECTIONS

- A = 8" FLANGED SUPPLY (150#)
- B = 8" FLANGED RETURN (150#)
- C = 3" x 4" HANDHOLE
- D = 1" WATER COLUMN
- E = 3/4" AQUASTAT
- F = 2" BOTTOM DRAIN
- G = 2" AUXILIARY CONNECTION
- H = 3/4" TEMPERATURE GAUGE
- J = 2" RELIEF VALVE
- 1-1/2" RELIEF VALVE
- K = 12" x 16" MANHOLE
- L = 28" NOMINAL FLUE DIAMETER

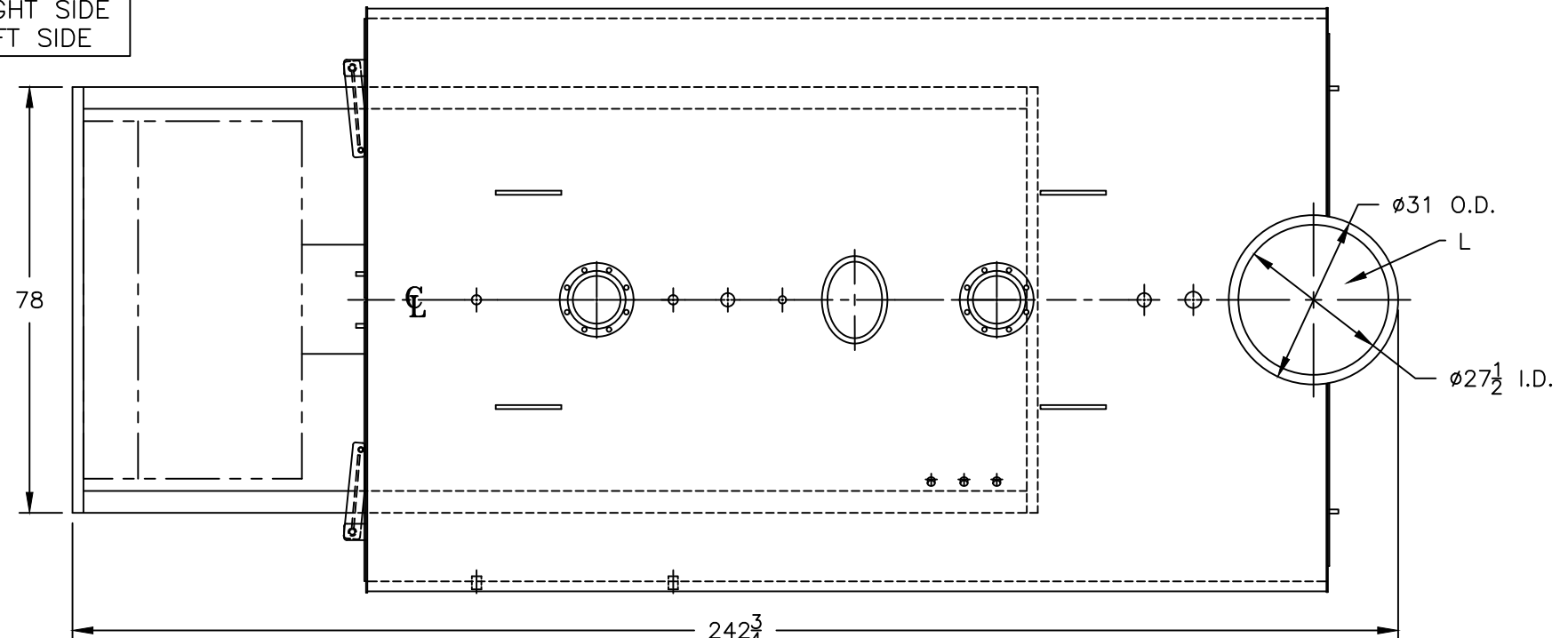
Heating Surface - Sq. Ft.
 Fireside - 2500
 Firetubes
 Number - 362
 Diameter - 2.5" O.D.

Firing Rate
 1000 BTU Gas (MBH) - 20922
 140000 BTU/Gal Oil (GPH) - 143.3
 150000 BTU/Gal Oil (GPH) - 133.7

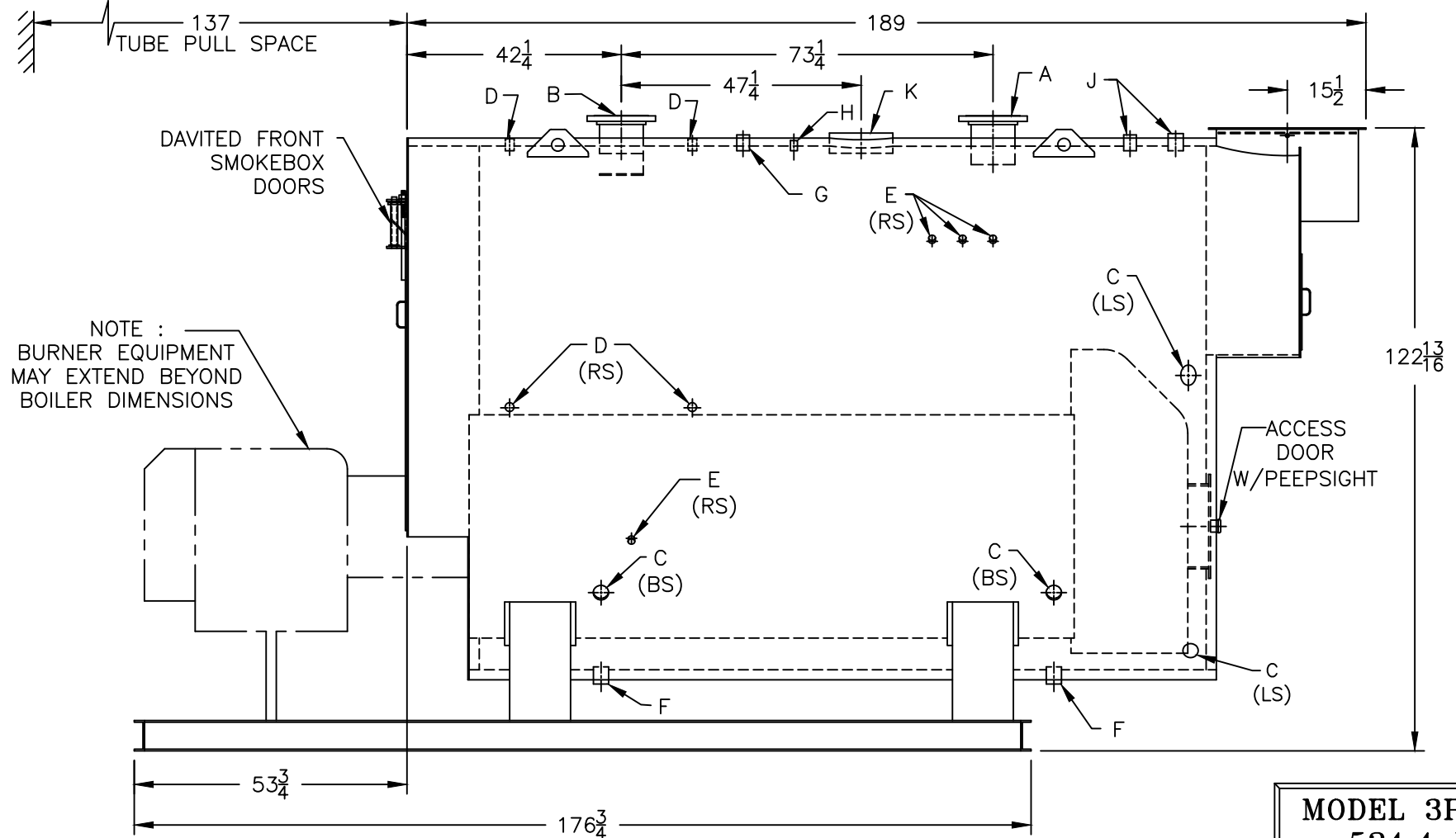
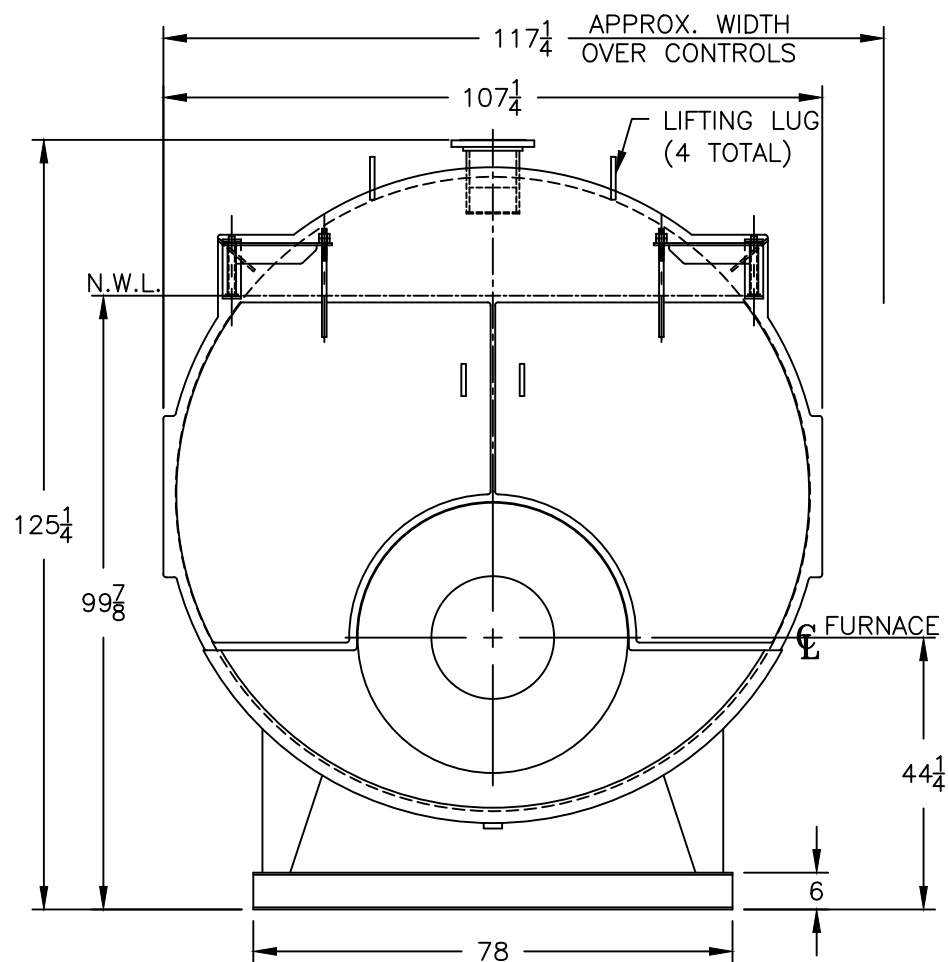
Water Content
 Pounds - 24816
 Gallons (U.S.) - 2979
 Approximate Weight/LBS.
 Dry - 32314
 Wet - 57131

LEGEND

- BS = BOTH SIDES
- RS = RIGHT SIDE
- LS = LEFT SIDE



PROJECT: STANDARD BOILER



NOTE :
 BURNER EQUIPMENT
 MAY EXTEND BEYOND
 BOILER DIMENSIONS

MODEL 3PW-500
524.4 BHP
125 PSI WATER