

# BURNHAM®

## Commercial Boilers

### RATINGS AND DATA

Shell Diameter : 102"  
 Gross Output - BHP : 637.5  
 Gross Output - MBH : 21340  
 Net Rating - MBH : 18557  
 Safety Valve - MBH : 24000

Heating Surface - Sq. Ft.  
 Fireside - 3000  
 Firetubes  
 Number - 362  
 Diameter - 2.5" O.D.

Firing Rate  
 1000 BTU Gas (MBH) - 25106  
 140,000 BTU/GAL Oil (GPH) - 172.6  
 150,000 BTU/GAL Oil (GPH) - 161.1

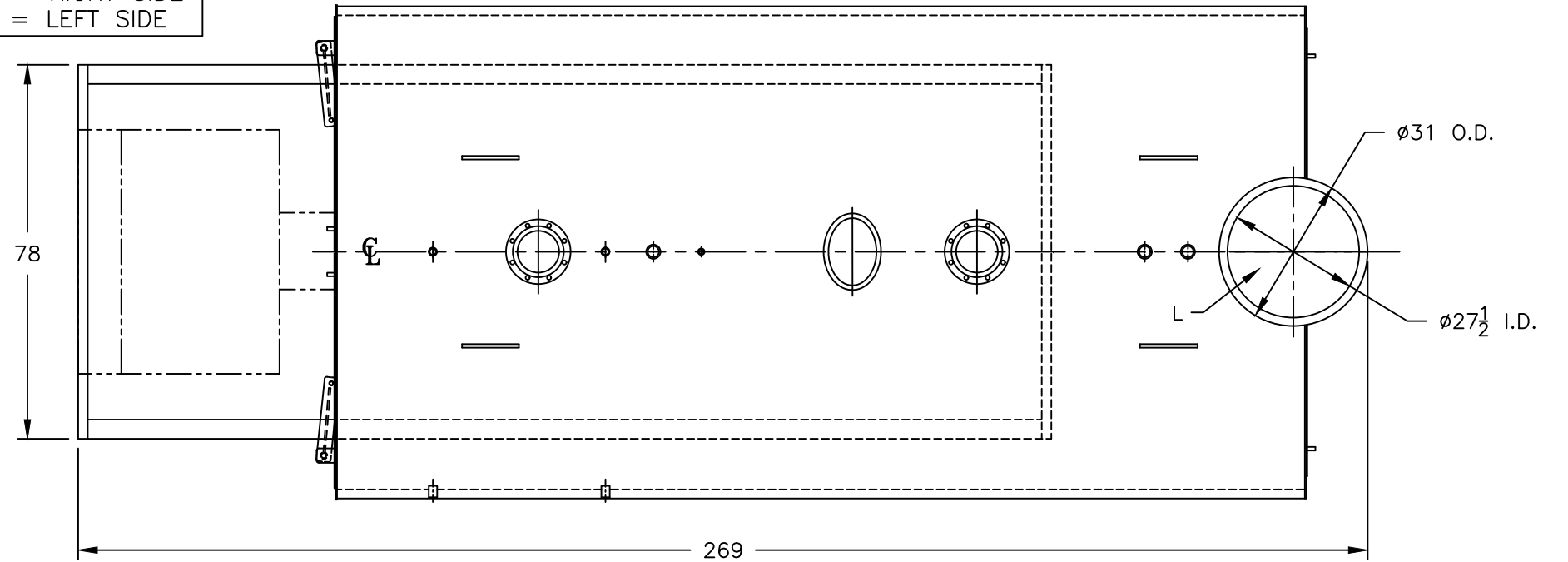
Water Content  
 Pounds - 29436  
 Gallons (U.S.) - 3534  
 Approximate Weight/LBS.  
 Dry - 37138  
 Wet - 66574

### LEGEND

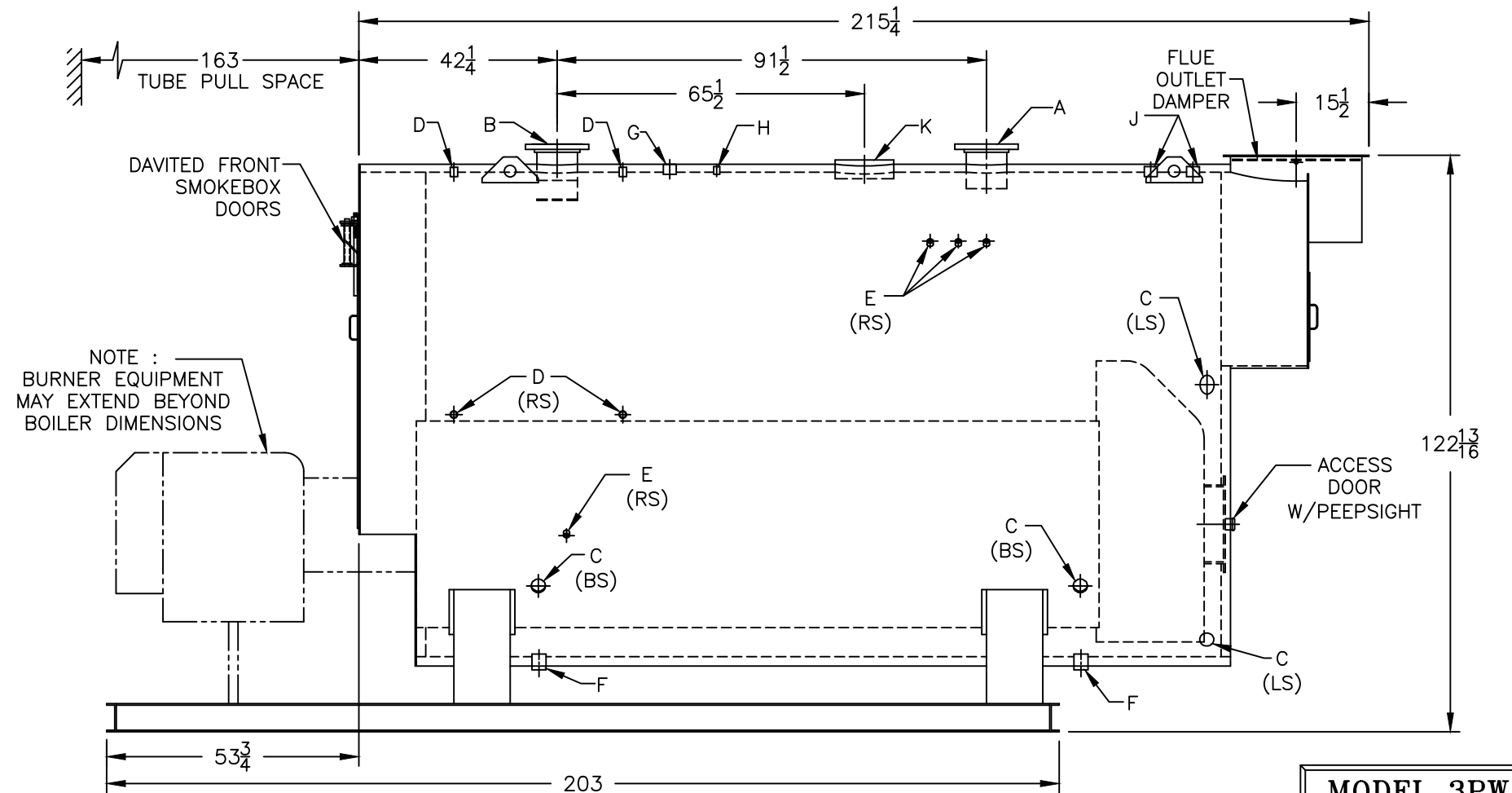
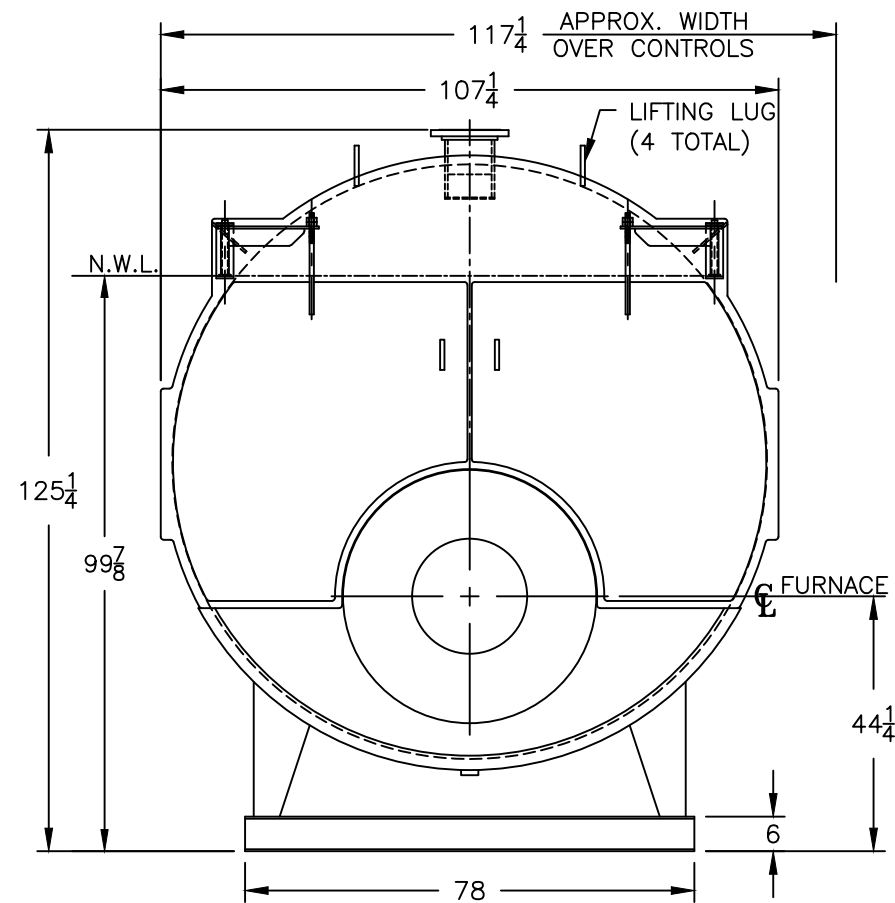
BS = BOTH SIDES  
 RS = RIGHT SIDE  
 LS = LEFT SIDE

### LEGEND CONNECTIONS

- A = 8" FLANGED SUPPLY (150#)
- B = 8" FLANGED RETURN (150#)
- C = 3" x 4" HANDHOLE
- D = 1" WATER COLUMN
- E = 3/4" AQUASTAT
- F = 2" BOTTOM DRAIN
- G = 2" AUXILIARY CONNECTION
- H = 3/4" TEMPERATURE GAUGE
- J = 2" RELIEF VALVE
- 1-1/2" RELIEF VALVE
- K = 12" x 16" MANHOLE
- L = 28" NOMINAL FLUE DIAMETER



### PROJECT: STANDARD BOILER



**MODEL 3PW-600**  
**637.5 BHP**  
**125 PSI WATER**