

# BURNHAM®

## Commercial Boilers

### RATINGS AND DATA

Shell Diameter : 54"  
 Gross Output - BHP : 71.7  
 Gross Output - MBH : 2402  
 Net Rating - MBH : 2089  
 Relief Valve - MBH : 2800

---

Heating Surface - Sq. Ft.  
 Fireside - 350

---

Firetubes  
 Number - 106  
 Diameter - 2" O.D.

---

Firing Rate  
 1000 BTU Gas (MBH) - 2929  
 140000 BTU/Gal Oil (GPH) - 20.1  
 150000 BTU/Gal Oil (GPH) - 18.8

---

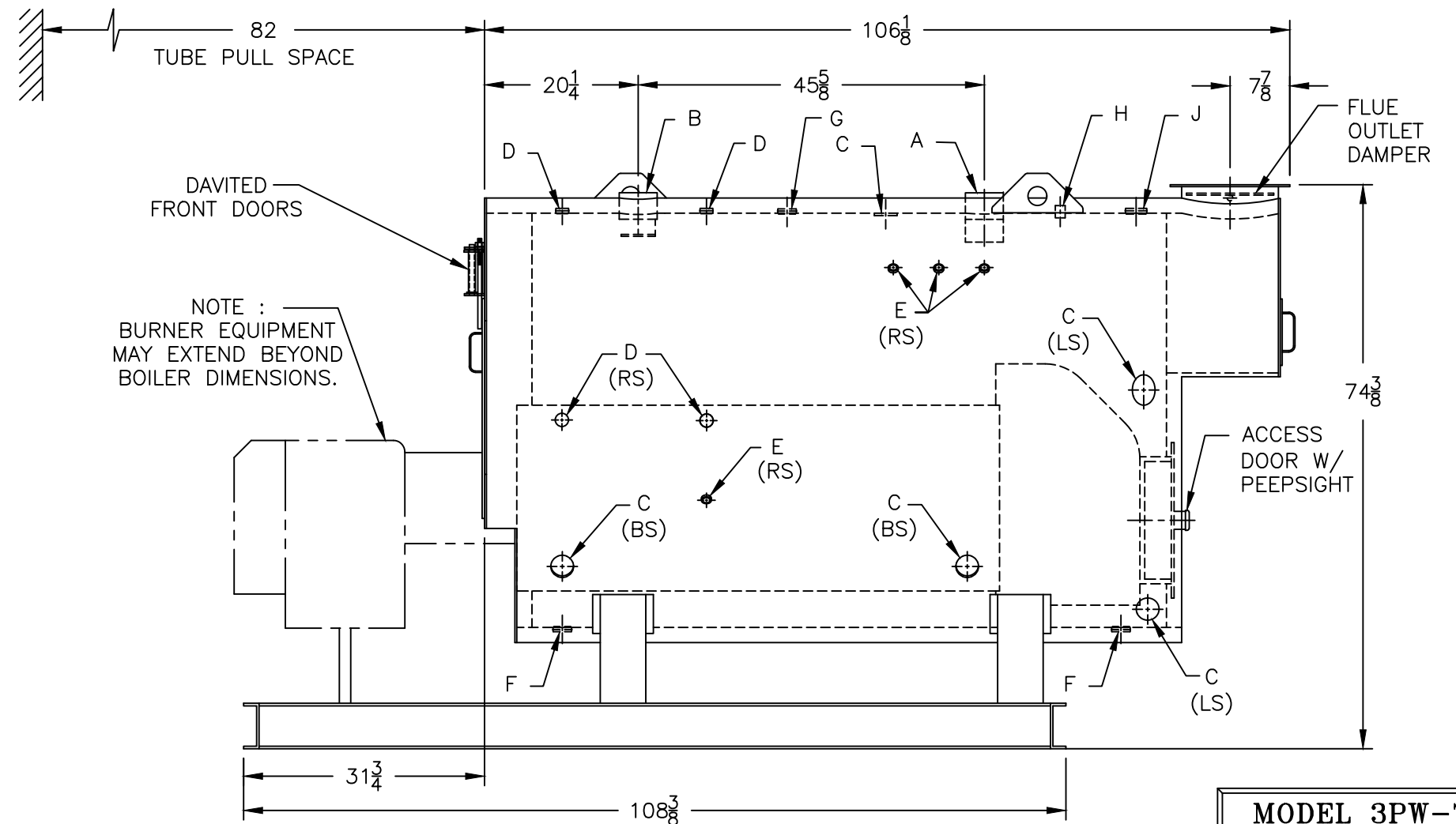
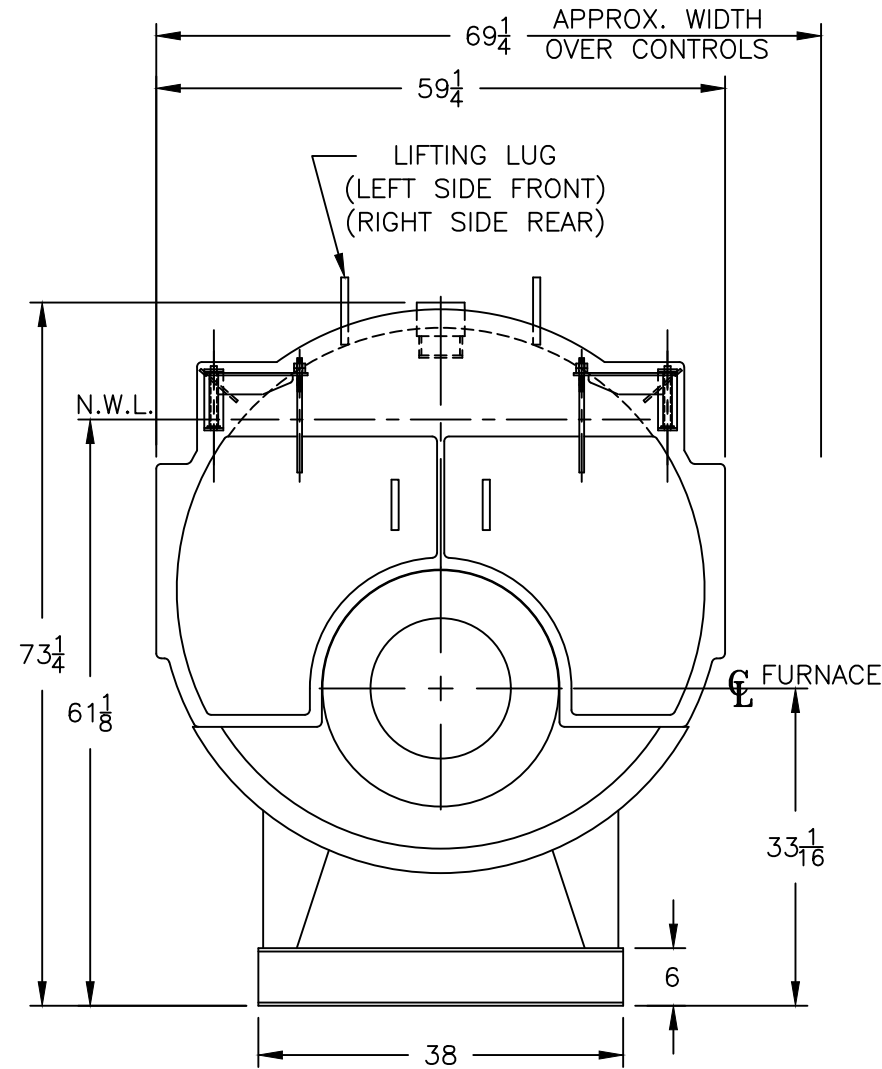
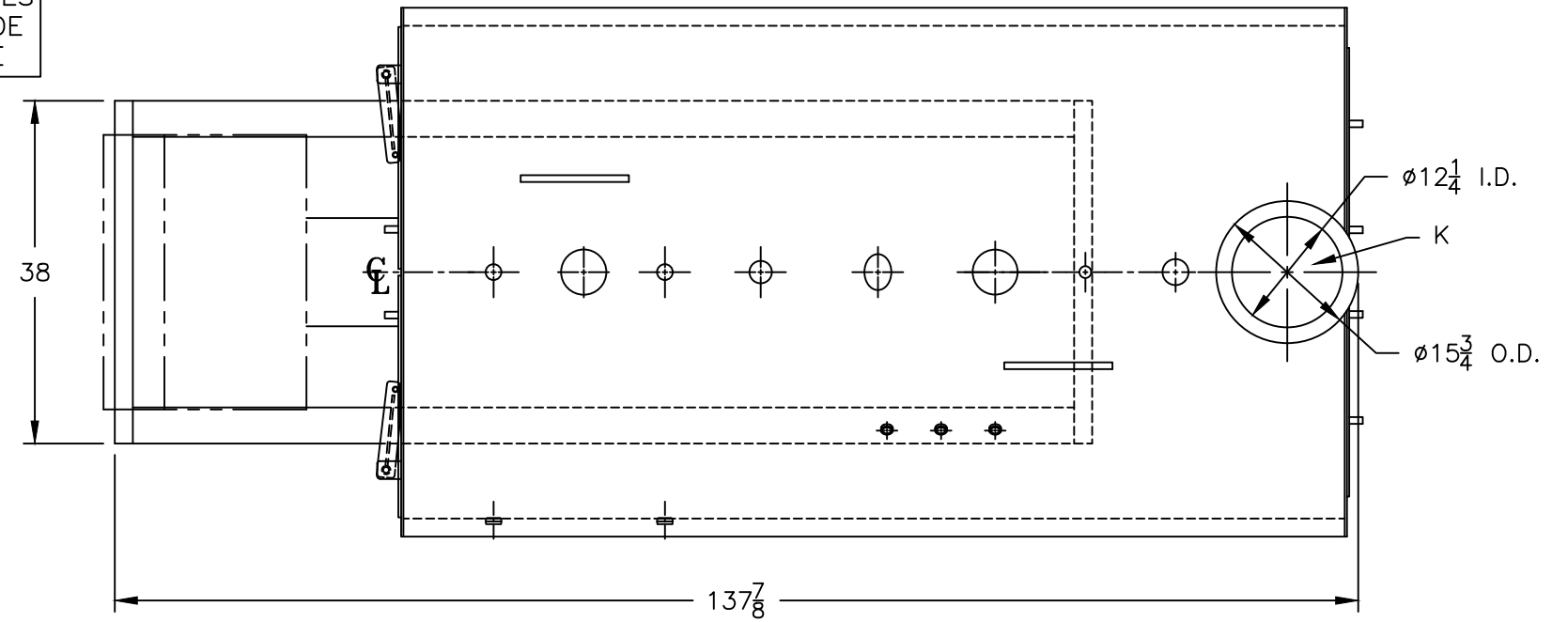
Water Content  
 Pounds - 4224  
 Gallons (U.S.) - 507  
 Approximate Weight/LBS.  
 Dry - 7250  
 Wet - 11474

### LEGEND

BS = BOTH SIDES  
 RS = RIGHT SIDE  
 LS = LEFT SIDE

### LEGEND CONNECTIONS

A = 4" SUPPLY  
 B = 4" RETURN  
 C = 3" x 4" HANDHOLE  
 D = 1" WATER COLUMN  
 E = 3/4" AQUASTAT  
 F = 1-1/2" BOTTOM BLOWDOWN  
 G = 1-1/2" AUXILIARY CONN.  
 H = 3/4" TEMPERATURE GAUGE  
 J = 1-1/4" RELIEF VALVE  
 K = 12" NOMINAL FLUE DIAMETER



PROJECT: STANDARD BOILER

**MODEL 3PW-70**  
**71.7 BHP**  
**125 PSI WATER**