

# BURNHAM®

## Commercial Boilers

### RATINGS AND DATA

Shell Diameter : 102"  
 Gross Output - BHP : 749.9  
 Gross Output - MBH : 25102  
 Net Rating - MBH : 21828  
 Safety Valve - MBH : 28000

### LEGEND CONNECTIONS

- A = 10" FLANGED SUPPLY (150#)
- B = 10" FLANGED RETURN (150#)
- C = 3" x 4" HANDHOLE
- D = 1" WATER COLUMN
- E = 3/4" AQUASTAT
- F = 2" BOTTOM DRAIN
- G = 2" AUXILIARY CONNECTION
- H = 3/4" TEMPERATURE GAUGE
- J = 1-1/2" RELIEF VALVE (1)  
2" RELIEF VALVE (1)
- K = 12" x 16" MANHOLE
- L = 28" NOMINAL FLUE DIAMETER

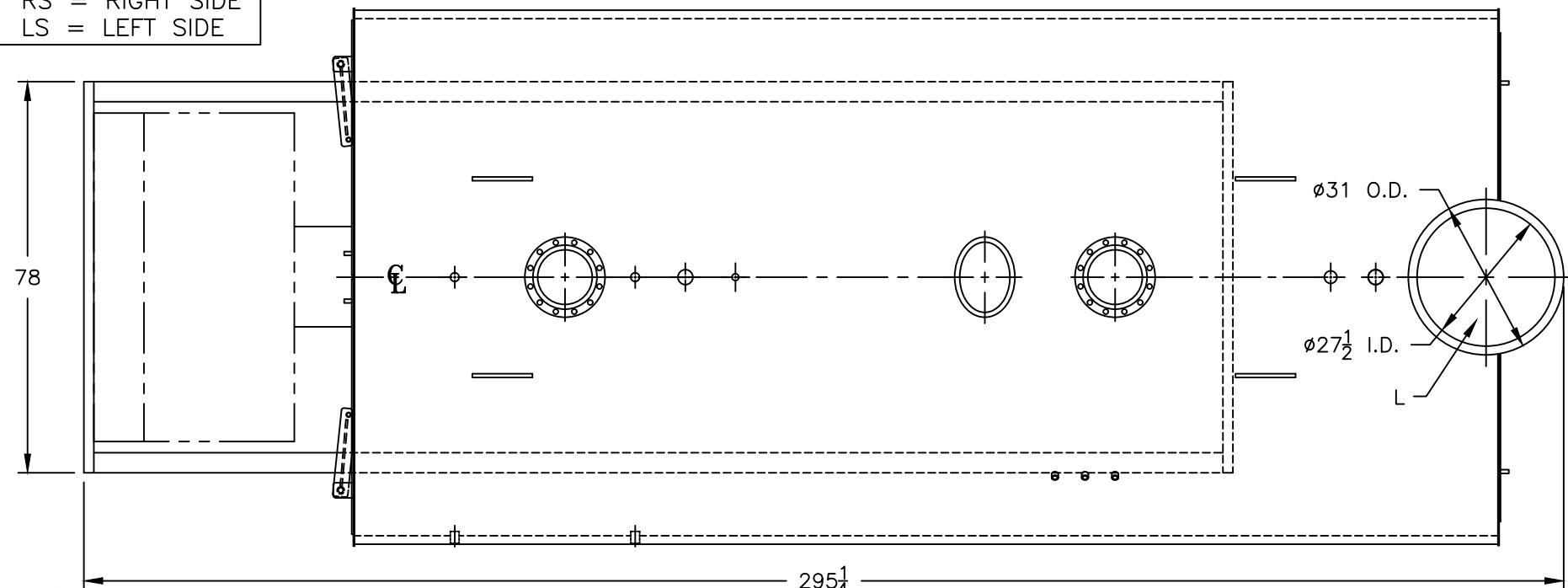
Heating Surface - Sq. Ft.  
 Fireside - 3500  
 Firetubes  
 Number - 362  
 Diameter - 2.5" O.D.

Firing Rate  
 1000 BTU Gas (MBH) - 29291  
 140000 BTU/Gal Oil (GPH) - 201.7  
 150000 BTU/Gal Oil (GPH) - 188.3

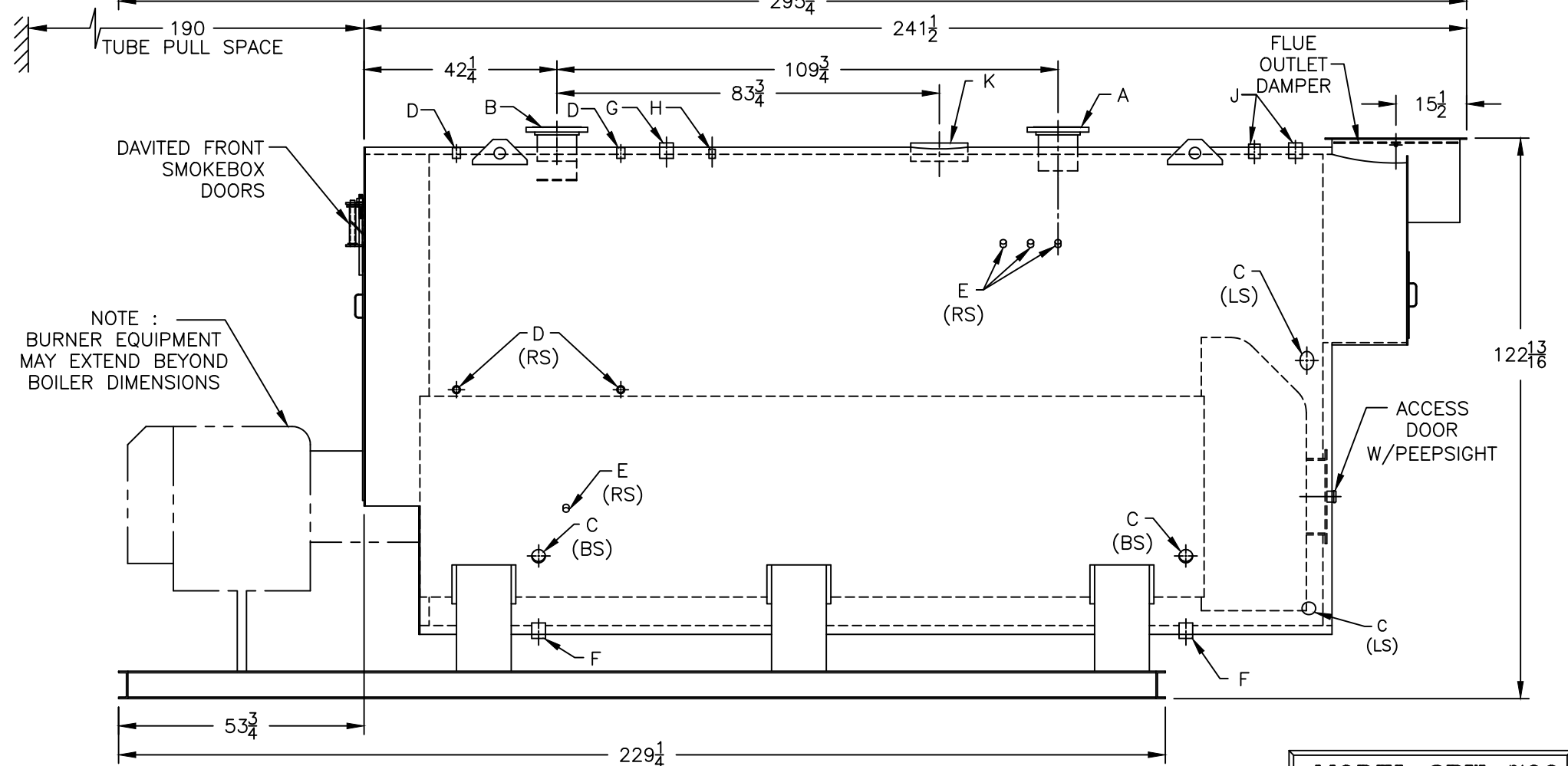
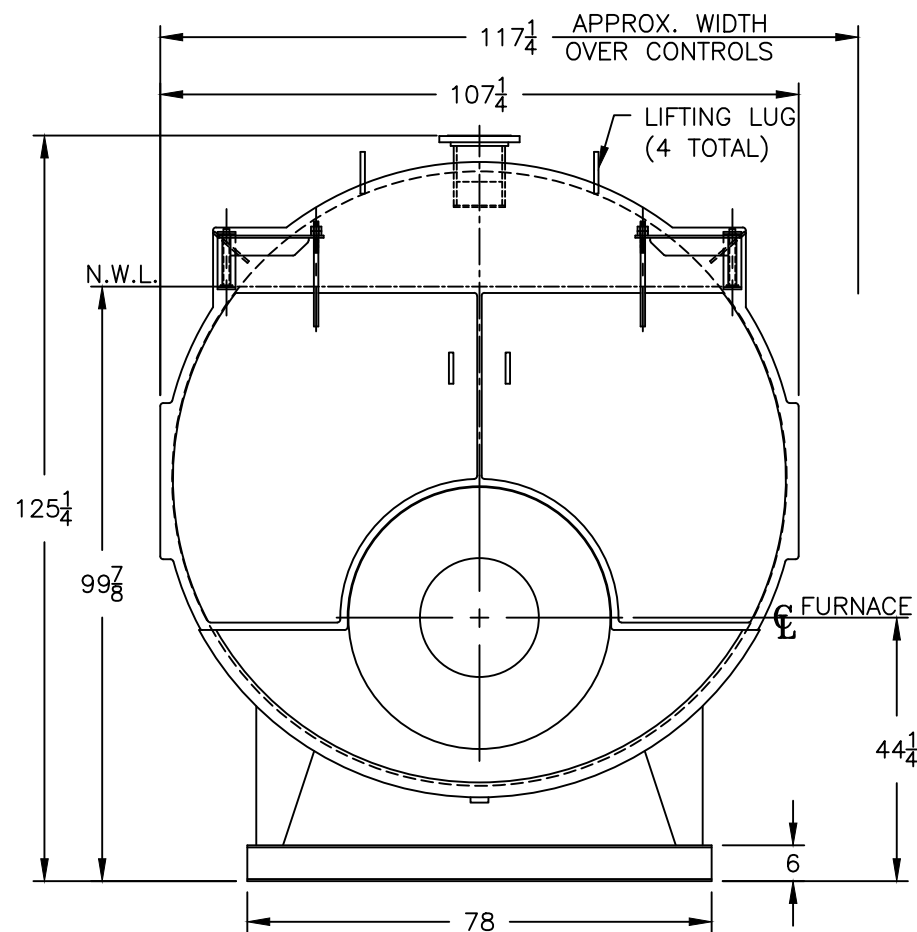
Water Content  
 Pounds - 34056  
 Gallons (U.S.) - 4088  
 Approximate Weight/LBS.  
 Dry - 42450  
 Wet - 76507

### LEGEND

- BS = BOTH SIDES
- RS = RIGHT SIDE
- LS = LEFT SIDE



### PROJECT: STANDARD BOILER



NOTE :  
 BURNER EQUIPMENT  
 MAY EXTEND BEYOND  
 BOILER DIMENSIONS

**MODEL 3PW-700**  
**749.9 BHP**  
**125 PSI WATER**