

# BURNHAM®

## Commercial Boilers

### RATINGS AND DATA

Shell Diameter : 54"  
 Gross Output - BHP : 94.2  
 Gross Output - MBH : 3152  
 Net Rating - MBH : 2741  
 Relief Valve - MBH : 3600

Heating Surface - Sq. Ft.  
 Fireside - 450  
 Firetubes  
 Number - 106  
 Diameter - 2" O.D.

Firing Rate  
 1000 BTU Gas (MBH) - 3766  
 140000 BTU/Gal Oil (GPH) - 25.9  
 150000 BTU/Gal Oil (GPH) - 24.2

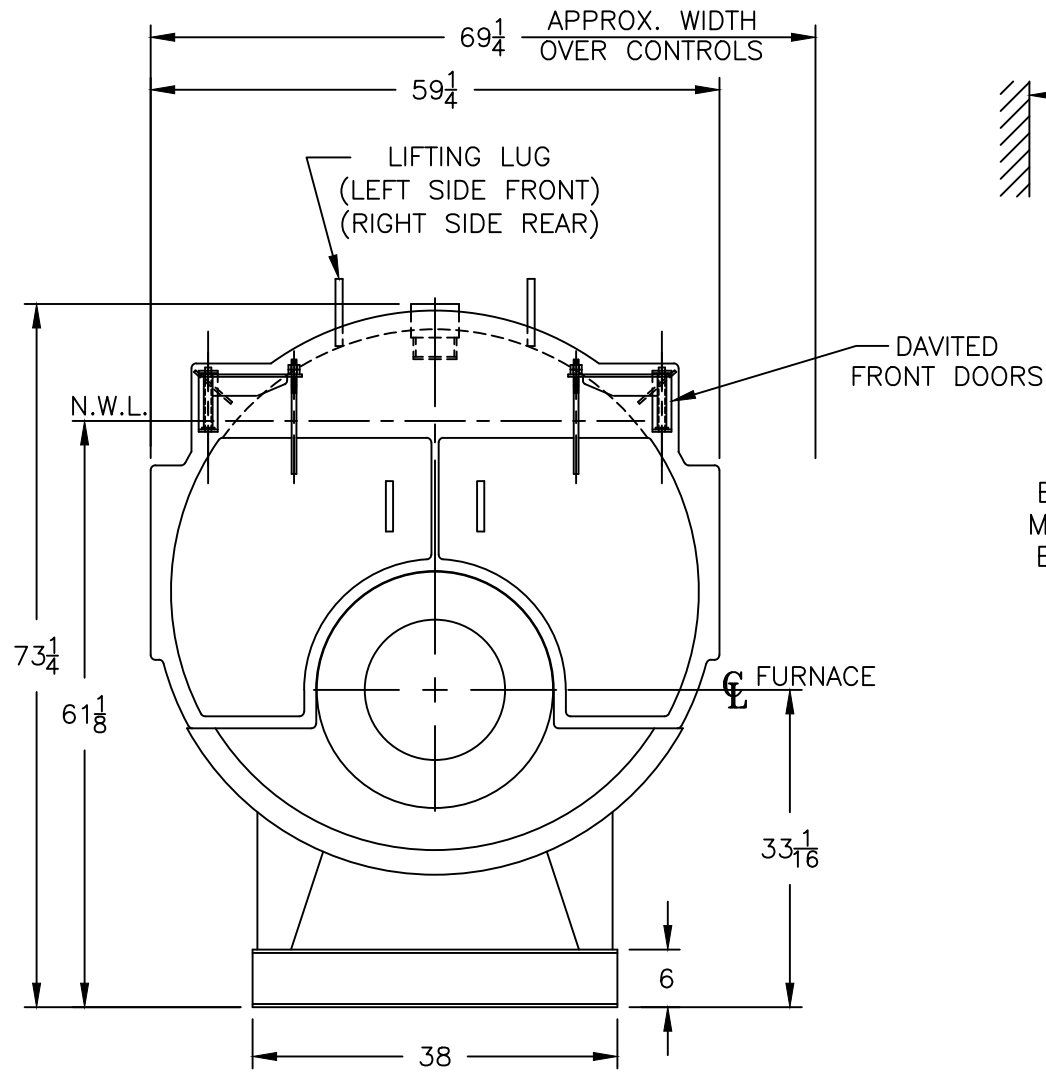
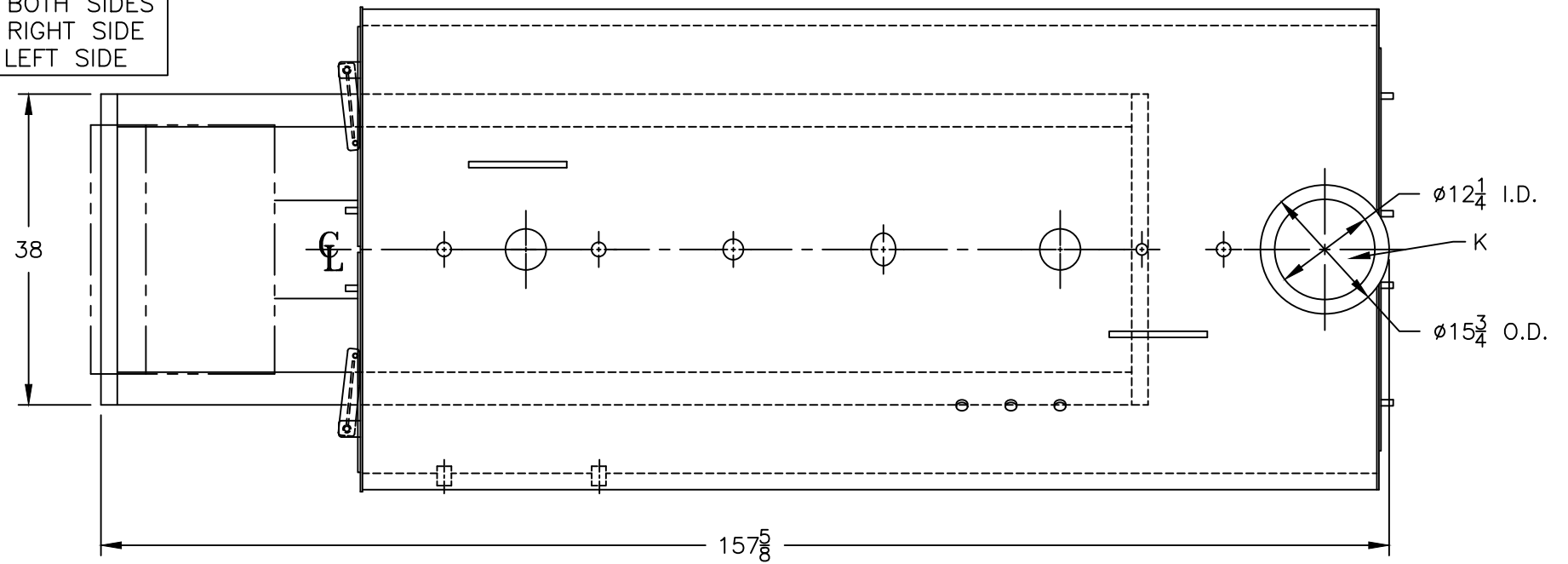
Water Content  
 Pounds - 5284  
 Gallons (U.S.) - 634  
 Approximate Weight/LBS.  
 Dry - 7200  
 Wet - 12484

### LEGEND CONNECTIONS

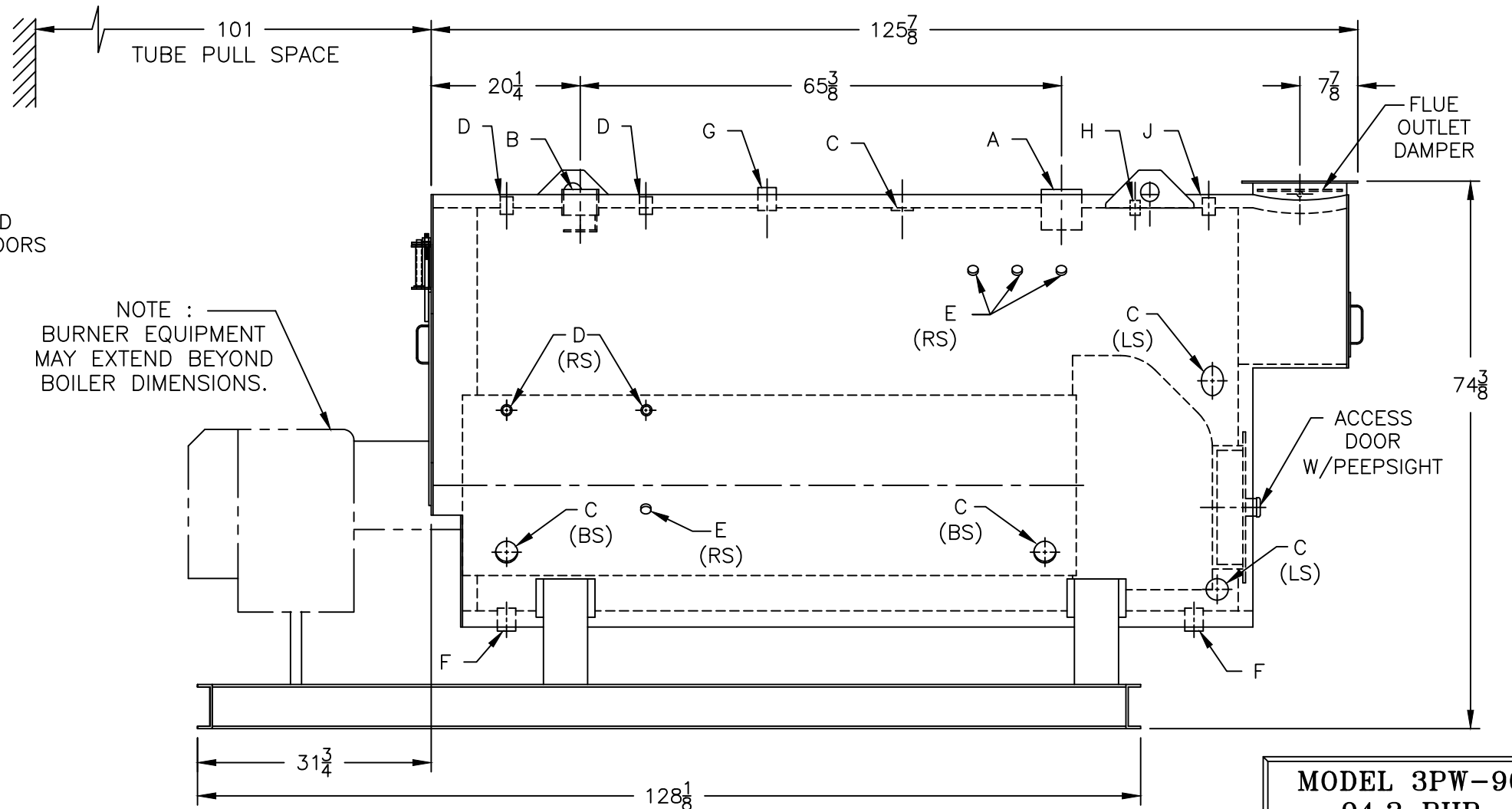
- A = 4" SUPPLY
- B = 4" RETURN
- C = 3" x 4" HANDHOLE
- D = 1" WATER COLUMN
- E = 3/4" AQUASTAT
- F = 1-1/2" BOTTOM DRAIN
- G = 1-1/2" AUXILIARY CONNECTION
- H = 3/4" TEMPERATURE GAUGE
- J = 1-1/4" RELIEF VALVE
- K = 12" NOMINAL FLUE DIAMETER

### LEGEND

- BS = BOTH SIDES
- RS = RIGHT SIDE
- LS = LEFT SIDE



PROJECT: STANDARD BOILER



**MODEL 3PW-90**  
**94.2 BHP**  
**125 PSI WATER**