

BURNHAM®

Commercial Boilers

RATINGS AND DATA

Shell Diameter : 54"
 Gross Output - BHP : 105.5
 Gross Output - MBH : 3531
 Net Rating - MBH : 3071
 Relief Valve - MBH : 4000

Heating Surface - Sq. Ft.
 Fireside - 500

Firetubes
 Number - 106
 Diameter - 2" O.D.

Firing Rate
 1000 BTU Gas (MBH) - 4184
 140000 BTU/Gal Oil (GPH) - 28.9
 150000 BTU/Gal Oil (GPH) - 27.0

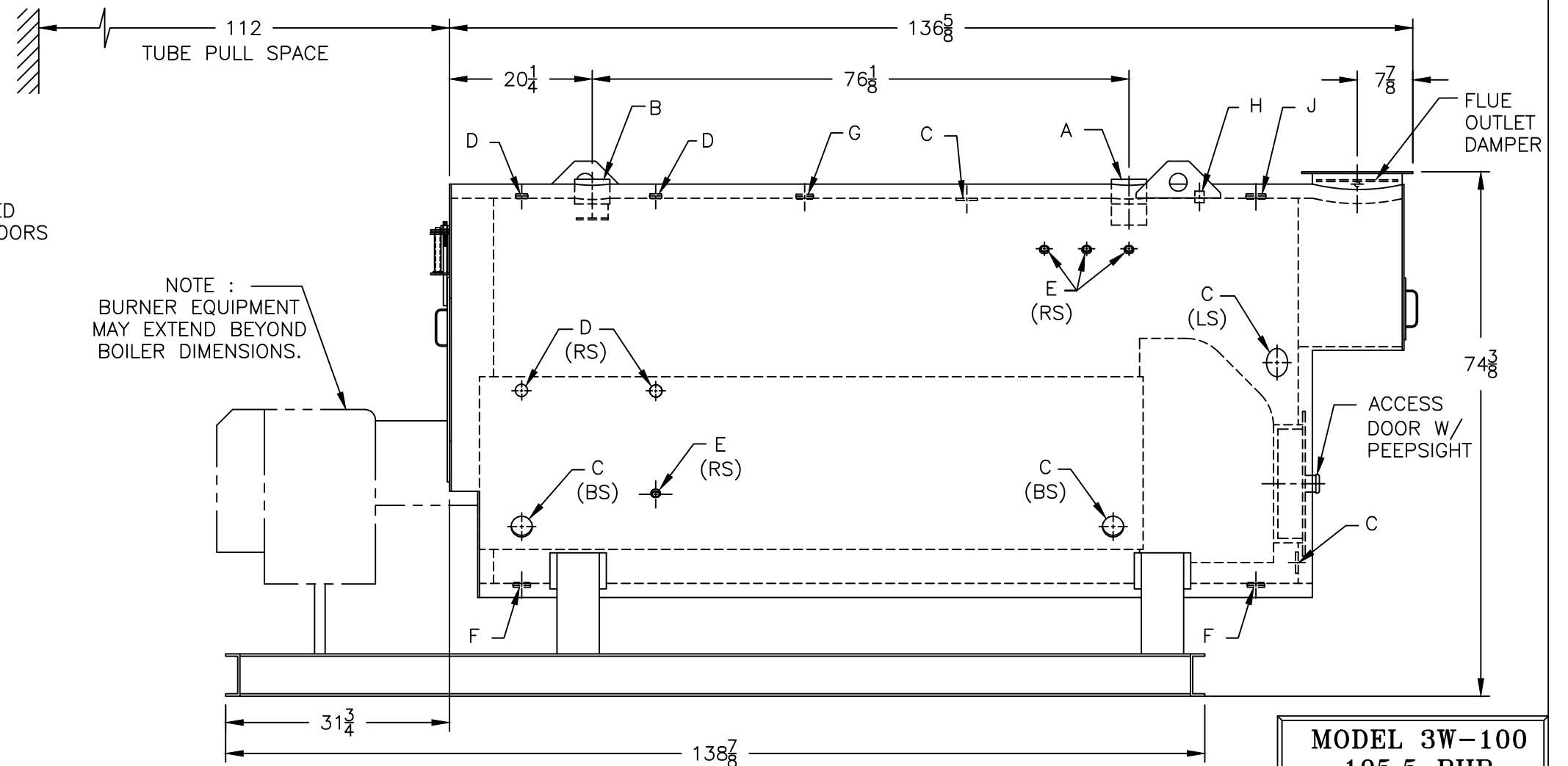
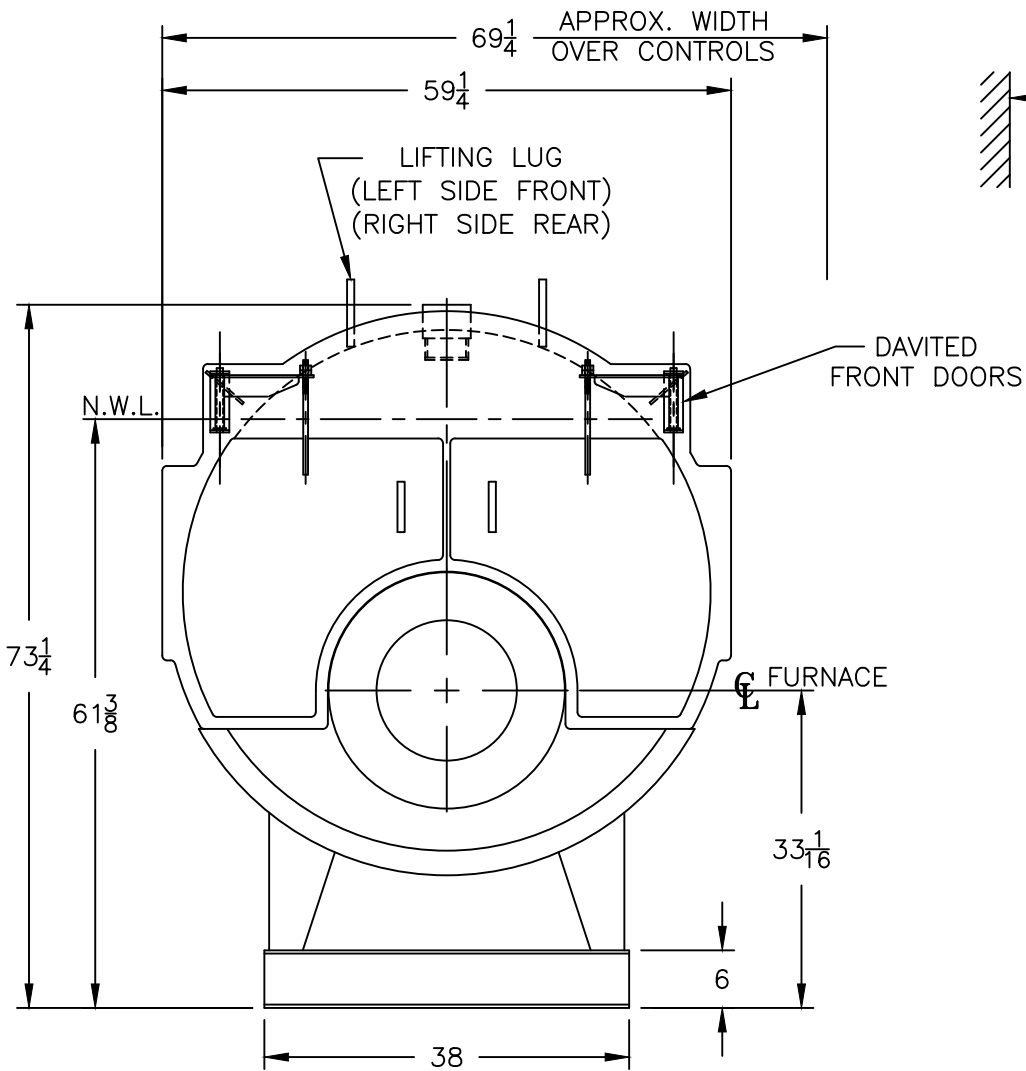
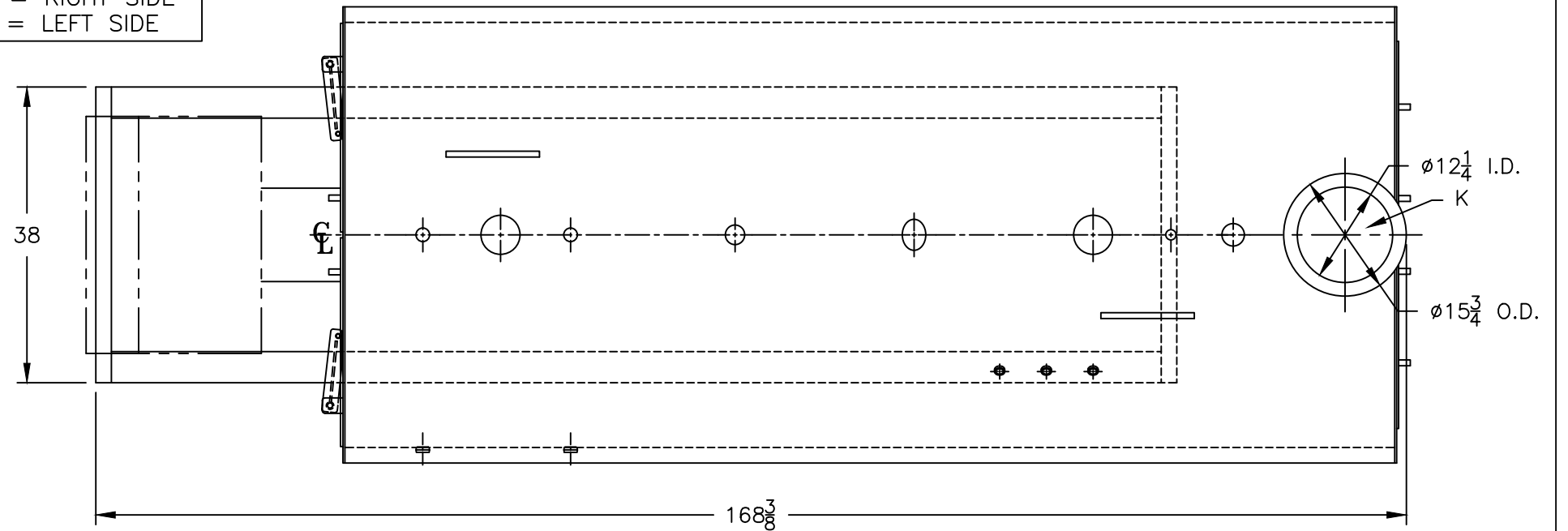
Water Content
 Pounds - 5801
 Gallons (U.S.) - 695
 Approximate Weight/LBS.
 Dry - 6900
 Wet - 12701

LEGEND

BS = BOTH SIDES
 RS = RIGHT SIDE
 LS = LEFT SIDE

LEGEND CONNECTIONS

- A = 4" SUPPLY
- B = 4" RETURN
- C = 3" x 4" HANDHOLE
- D = 1" WATER COLUMN
- E = 3/4" AQUASTAT
- F = 1-1/2" BOTTOM BLOWDOWN
- G = 1-1/2" EXPANSION TANK
- H = 3/4" TEMPERATURE GAUGE
- J = 2" SAFETY/RELIEF VALVE
- K = 12" NOMINAL FLUE DIAMETER



PROJECT: STANDARD BOILER

MODEL 3W-100
105.5 BHP
30 PSI WATER

SPECIFICATIONS SUBJECT TO CHANGE WITHOUT NOTICE ALL CONNECTIONS ARE THREADED UNLESS OTHERWISE SPECIFIED

THIS DOCUMENT CONTAINS CONFIDENTIAL INFORMATION WHICH IS THE PROPERTY OF BURNHAM COMMERCIAL. THIS DOCUMENT MAY NOT BE REPRODUCED, TRANSFERRED OR USED, OR ITS CONTENTS DISCLOSED, WITHOUT THE WRITTEN PERMISSION OF THE OWNER.