

# BURNHAM®

## Commercial Boilers

### LEGEND CONNECTIONS

- A = 6" FLANGED SUPPLY (150#)
- B = 6" FLANGED RETURN (150#)
- C = 3" x 4" HANDHOLE
- D = 1" WATER COLUMN
- E = 3/4" AQUASTAT
- F = 2" BOTTOM BLOWDOWN
- G = 2" EXPANSION TANK
- H = 3/4" TEMPERATURE GAUGE
- J = 2" SAFETY/RELIEF VALVE
- K = 12" x 16" MANHOLE
- L = 16" NOMINAL FLUE DIAMETER

### RATINGS AND DATA

Shell Diameter : 66"  
 Gross Output - BHP : 128  
 Gross Output - MBH : 4283  
 Net Rating - MBH : 3725  
 Relief Valve - MBH : 5000

---

Heating Surface - Sq. Ft.  
 Fireside - 625

---

Firetubes  
 Number - 182  
 Diameter - 2" O.D.

---

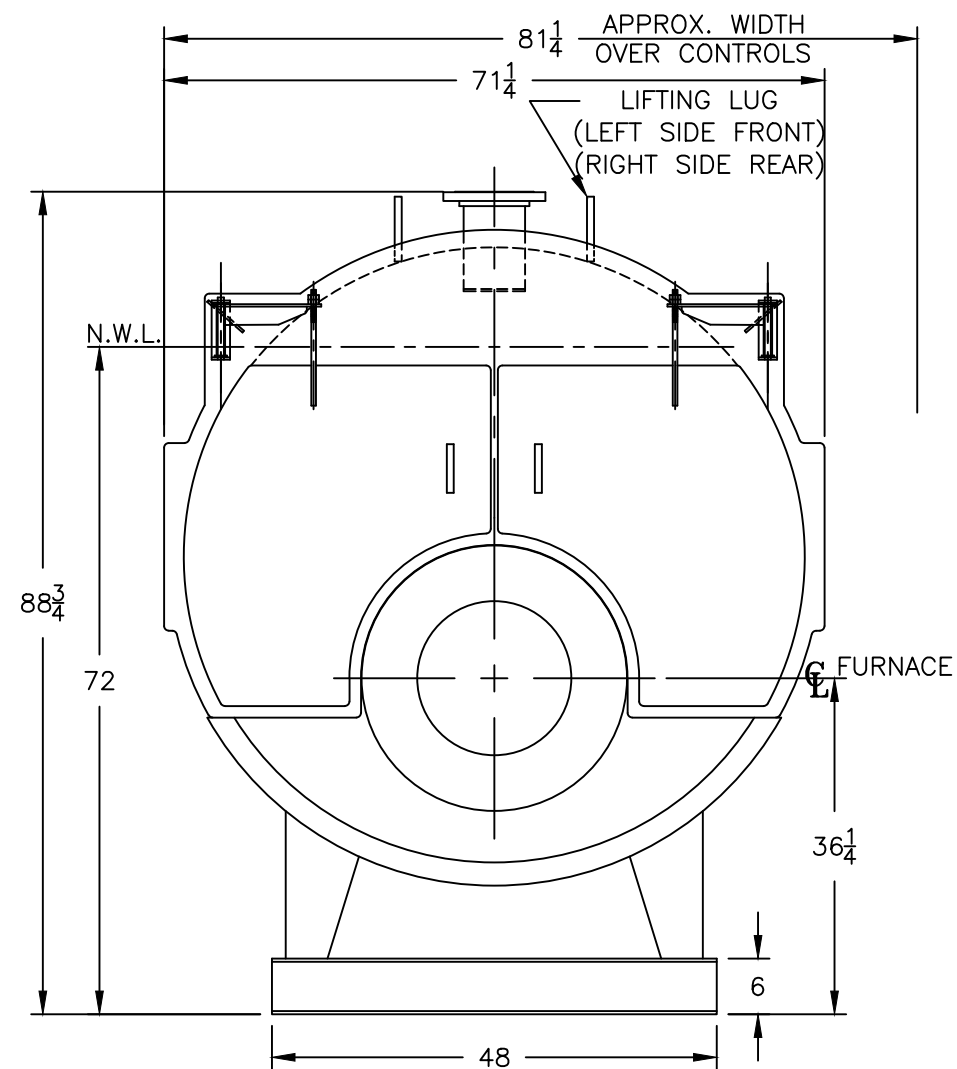
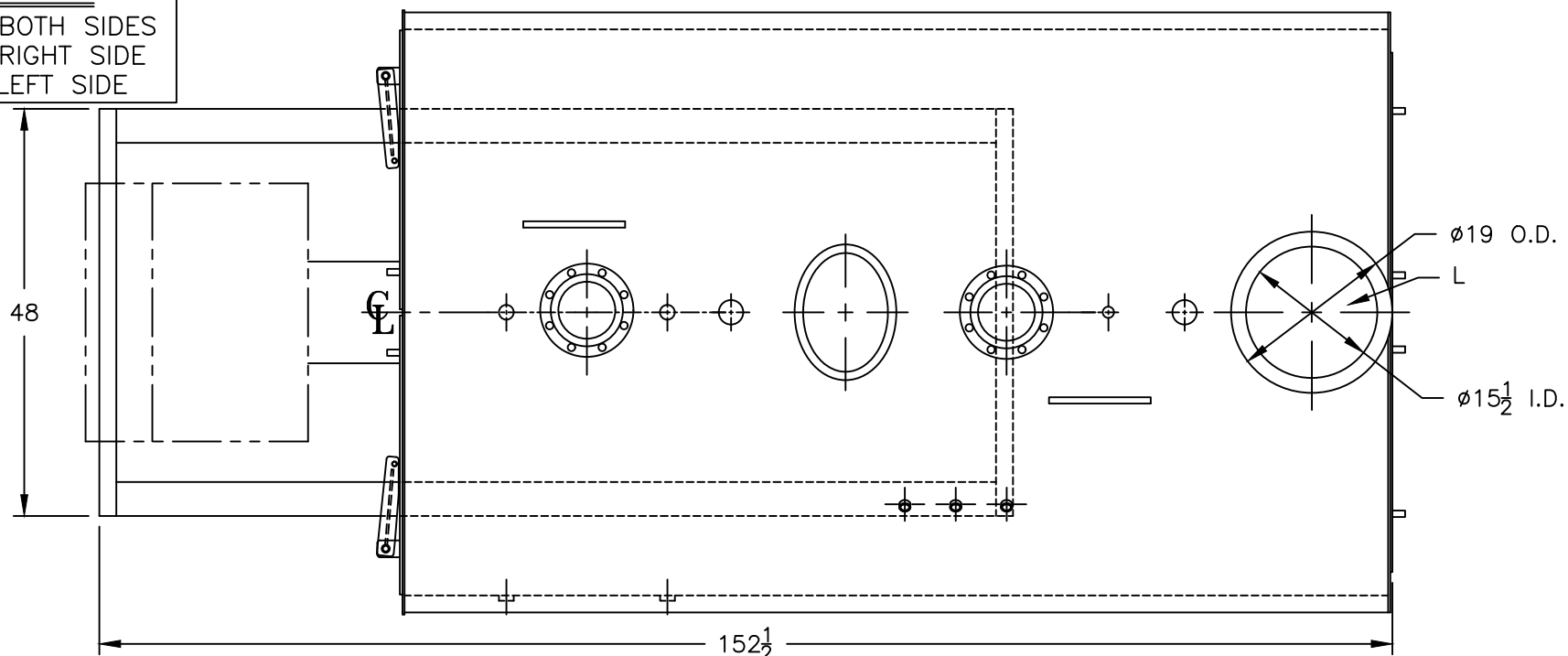
Firing Rate  
 1000 BTU Gas (MBH) - 5230  
 140000 BTU/Gal Oil (GPH) - 35.7  
 150000 BTU/Gal Oil (GPH) - 33.3

---

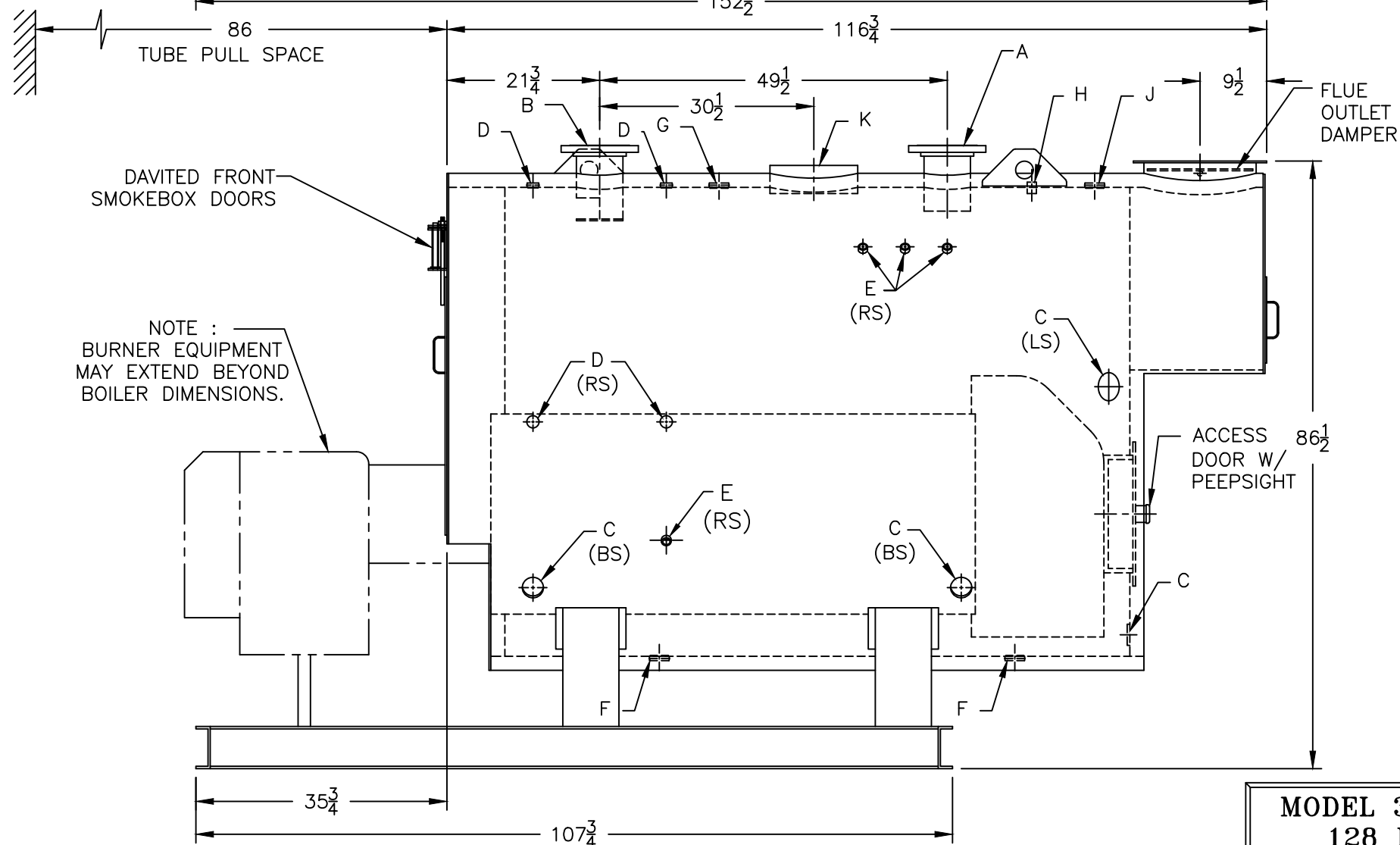
Water Content  
 Pounds - 6560  
 Gallons (U.S.) - 786  
 Approximate Weight/LBS.  
 Dry - 8700  
 Wet - 15260

### LEGEND

BS = BOTH SIDES  
 RS = RIGHT SIDE  
 LS = LEFT SIDE



PROJECT: STANDARD BOILER



**MODEL 3W-125**  
**128 BHP**  
**30 PSI WATER**

SPECIFICATIONS SUBJECT TO CHANGE WITHOUT NOTICE ALL CONNECTIONS ARE THREADED UNLESS OTHERWISE SPECIFIED

THIS DOCUMENT CONTAINS CONFIDENTIAL INFORMATION WHICH IS THE PROPERTY OF BURNHAM COMMERCIAL. THIS DOCUMENT MAY NOT BE REPRODUCED, TRANSFERRED OR USED, OR ITS CONTENTS DISCLOSED, WITHOUT THE WRITTEN PERMISSION OF THE OWNER.