

BURNHAM®

Commercial Boilers

LEGEND CONNECTIONS

- A = 6" FLANGED SUPPLY (150#)
- B = 6" FLANGED RETURN (150#)
- C = 3" x 4" HANDHOLE
- D = 1" WATER COLUMN
- E = 3/4" AQUASTAT
- F = 2" BOTTOM BLOWDOWN
- G = 2" EXPANSION TANK
- H = 3/4" TEMPERATURE GAUGE
- J = 1" SAFETY/RELIEF VALVE (1)
2" SAFETY/RELIEF VALVE (1)
- K = 12" x 16" MANHOLE
- L = 16" NOMINAL FLUE DIAMETER

RATINGS AND DATA

Shell Diameter : 66"
 Gross Output - BHP : 156.6
 Gross Output - MBH : 5241
 Net Rating - MBH : 4558
 Relief Valve - MBH : 6000

Heating Surface - Sq. Ft.
 Fireside - 750

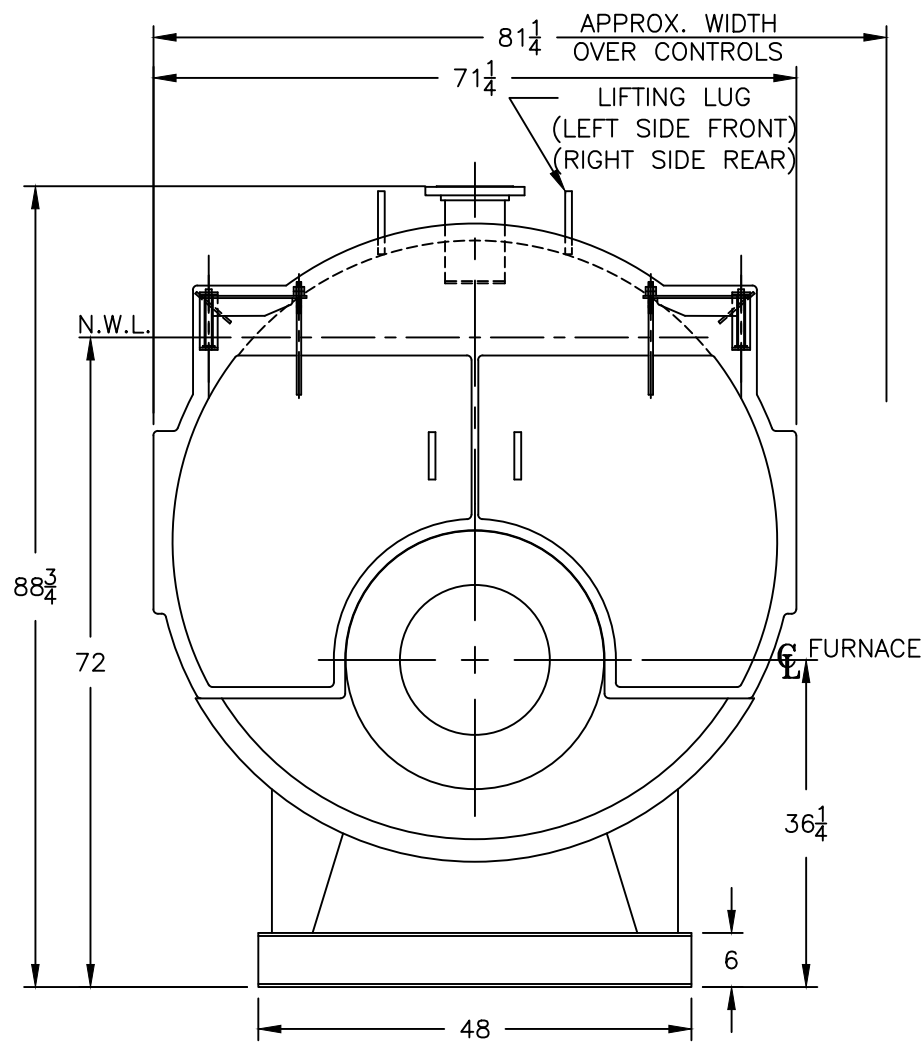
Firetubes
 Number - 182
 Diameter - 2" O.D.

Firing Rate
 1000 BTU Gas (MBH) - 6277
 140000 BTU/Gal Oil (GPH) - 43.1
 150000 BTU/Gal Oil (GPH) - 40.2

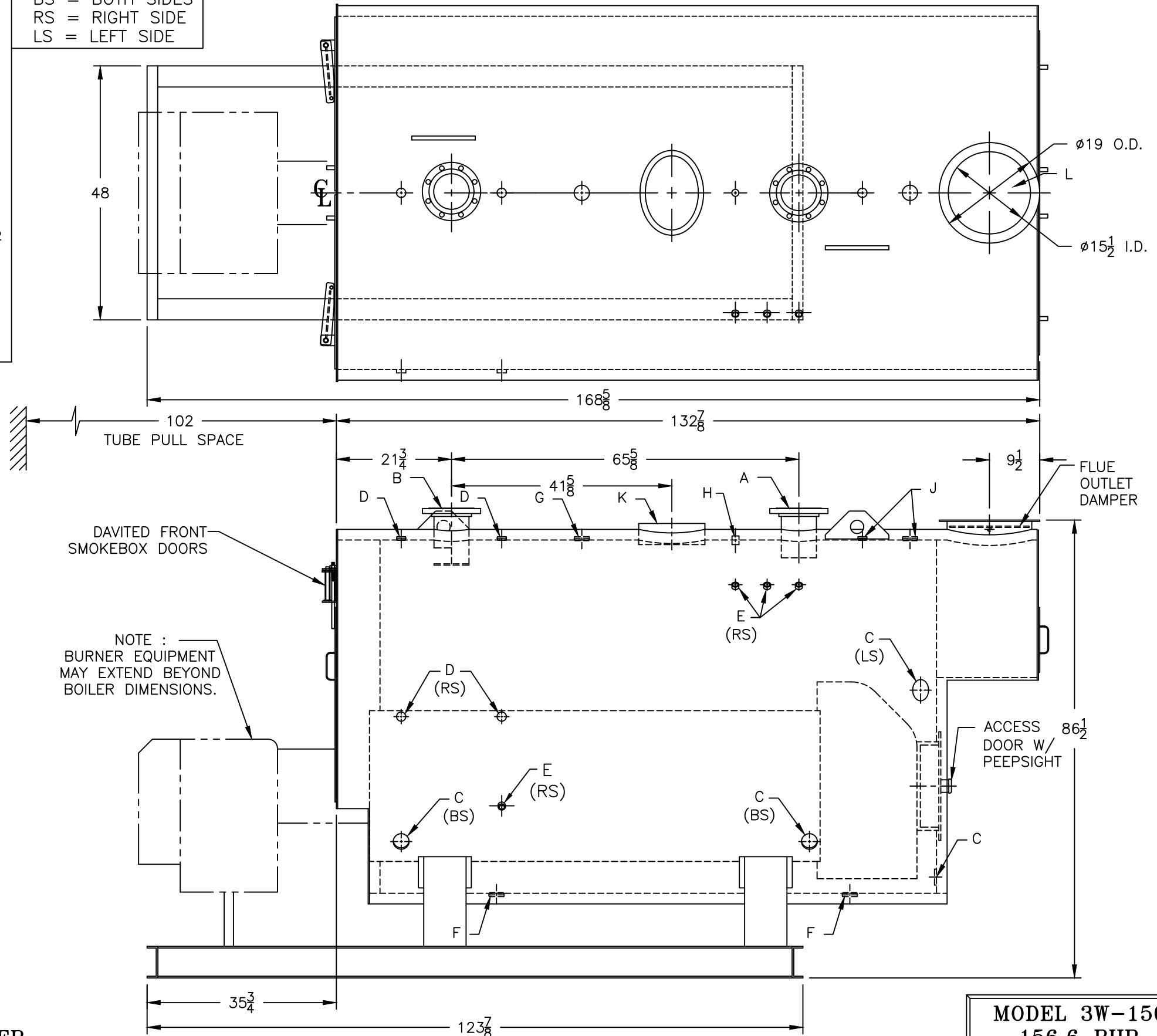
Water Content
 Pounds - 7848
 Gallons (U.S.) - 941
 Approximate Weight/LBS.
 Dry - 9700
 Wet - 17548

LEGEND

- BS = BOTH SIDES
- RS = RIGHT SIDE
- LS = LEFT SIDE



PROJECT: STANDARD BOILER



MODEL 3W-150
156.6 BHP
30 PSI WATER