

# BURNHAM®

## Commercial Boilers

### LEGEND CONNECTIONS

- A = 6" FLANGED SUPPLY (150#)
- B = 6" FLANGED RETURN (150#)
- C = 3" x 4" HANDHOLE
- D = 1" WATER COLUMN
- E = 3/4" AQUASTAT
- F = 2" BOTTOM BLOWDOWN
- G = 2" EXPANSION TANK
- H = 3/4" TEMPERATURE GAUGE
- J = 1-1/4" SAFETY/RELIEF VALVE (1)  
2" SAFETY/RELIEF VALVE (1)
- K = 12" x 16" MANHOLE
- L = 16" NOMINAL FLUE DIAMETER

### RATINGS AND DATA

Shell Diameter : 66"  
 Gross Output - BHP : 184.9  
 Gross Output - MBH : 6188  
 Net Rating - MBH : 5381  
 Relief Valve - MBH : 7000

---

Heating Surface - Sq. Ft.  
 Fireside - 875

---

Firetubes  
 Number - 182  
 Diameter - 2" O.D.

---

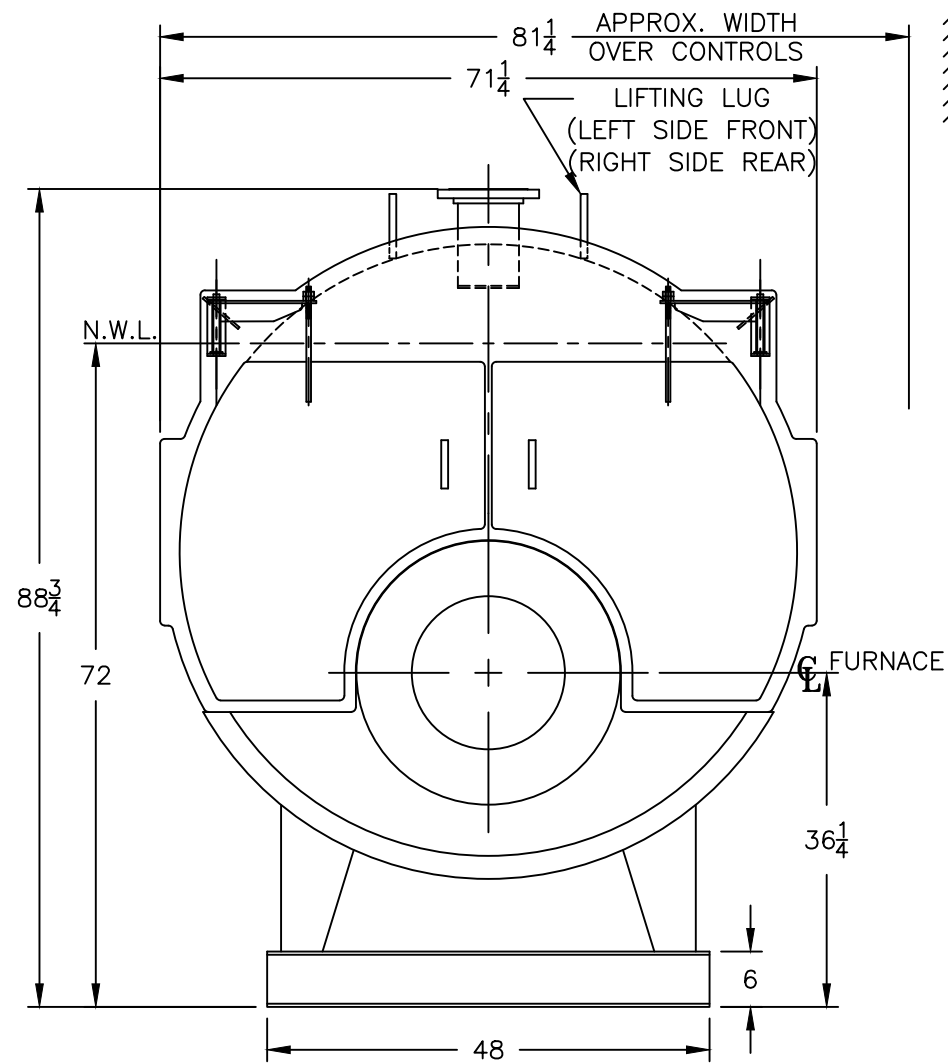
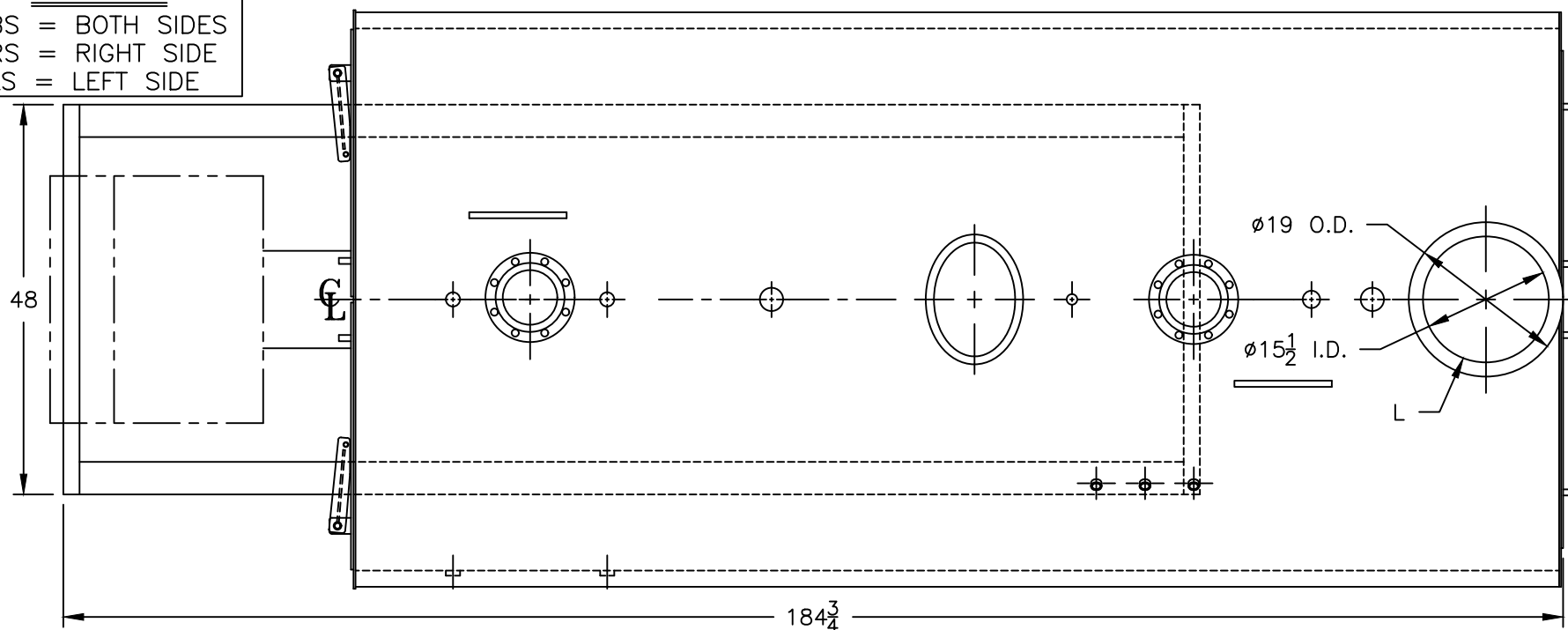
Firing Rate  
 1000 BTU Gas (MBH) - 7323  
 140000 BTU/Gal Oil (GPH) - 50.3  
 150000 BTU/Gal Oil (GPH) - 46.9

---

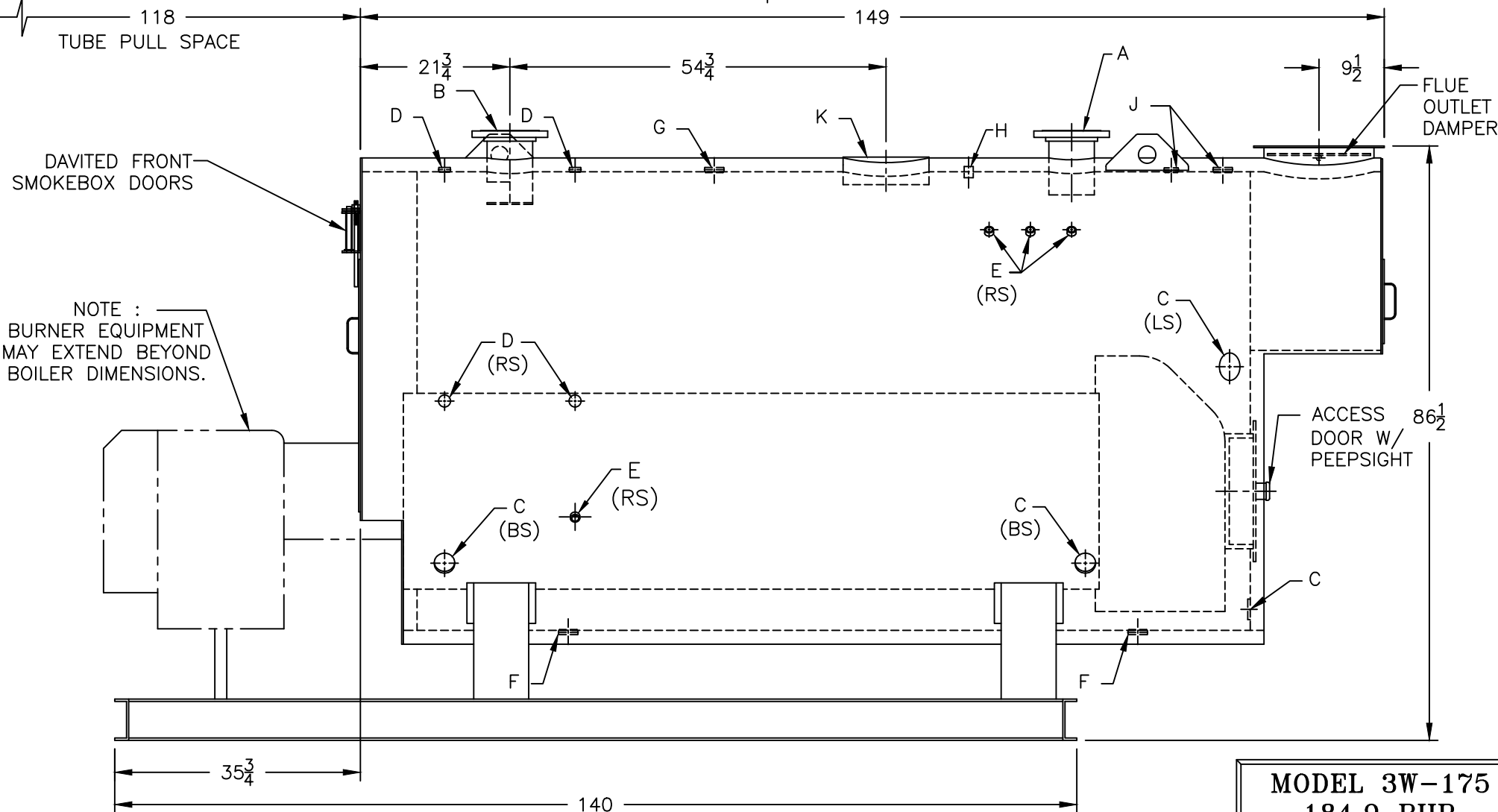
Water Content  
 Pounds - 9135  
 Gallons (U.S.) - 1095  
 Approximate Weight/LBS.  
 Dry - 10900  
 Wet - 20035

### LEGEND

BS = BOTH SIDES  
 RS = RIGHT SIDE  
 LS = LEFT SIDE



PROJECT: STANDARD BOILER



**MODEL 3W-175**  
**184.9 BHP**  
**30 PSI WATER**

SPECIFICATIONS SUBJECT TO CHANGE WITHOUT NOTICE ALL CONNECTIONS ARE THREADED UNLESS OTHERWISE SPECIFIED

THIS DOCUMENT CONTAINS CONFIDENTIAL INFORMATION WHICH IS THE PROPERTY OF BURNHAM COMMERCIAL. THIS DOCUMENT MAY NOT BE REPRODUCED, TRANSFERRED OR USED, OR ITS CONTENTS DISCLOSED, WITHOUT THE WRITTEN PERMISSION OF THE OWNER.