

# BURNHAM®

## Commercial Boilers

### LEGEND CONNECTIONS

- A = 6" FLANGED SUPPLY (150#)
- B = 6" FLANGED RETURN (150#)
- C = 3" x 4" HANDHOLE
- D = 1" WATER COLUMN
- E = 3/4" AQUASTAT
- F = 2" BOTTOM BLOWDOWN
- G = 2" EXPANSION TANK
- H = 3/4" TEMPERATURE GAUGE
- J = 1-1/2" SAFETY/RELIEF VALVE (1)  
2" SAFETY/RELIEF VALVE (1)
- K = 12" x 16" MANHOLE
- L = 16" NOMINAL FLUE DIAMETER

### RATINGS AND DATA

Shell Diameter : 66"  
 Gross Output - BHP : 213  
 Gross Output - MBH : 7130  
 Net Rating - MBH : 6200  
 Relief Valve - MBH : 8000

---

Heating Surface - Sq. Ft.  
 Fireside - 1000

---

Firetubes  
 Number - 182  
 Diameter - 2" O.D.

---

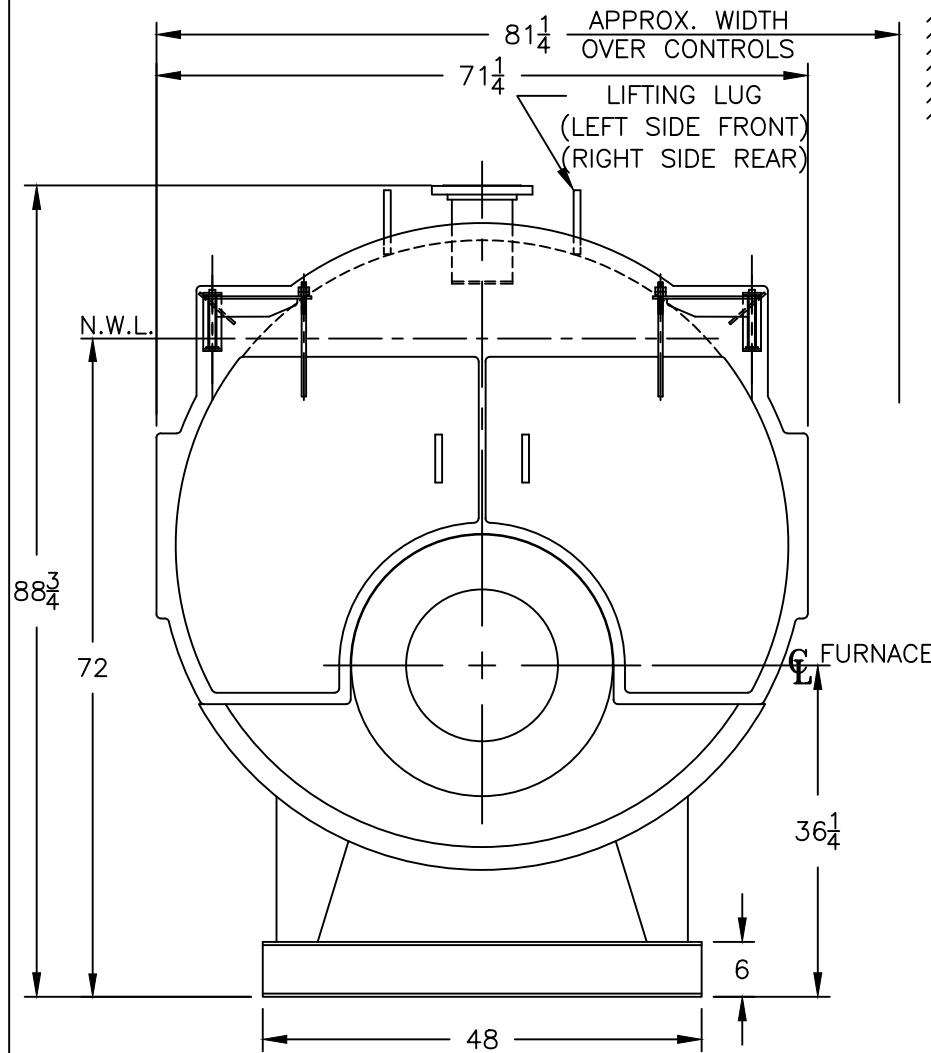
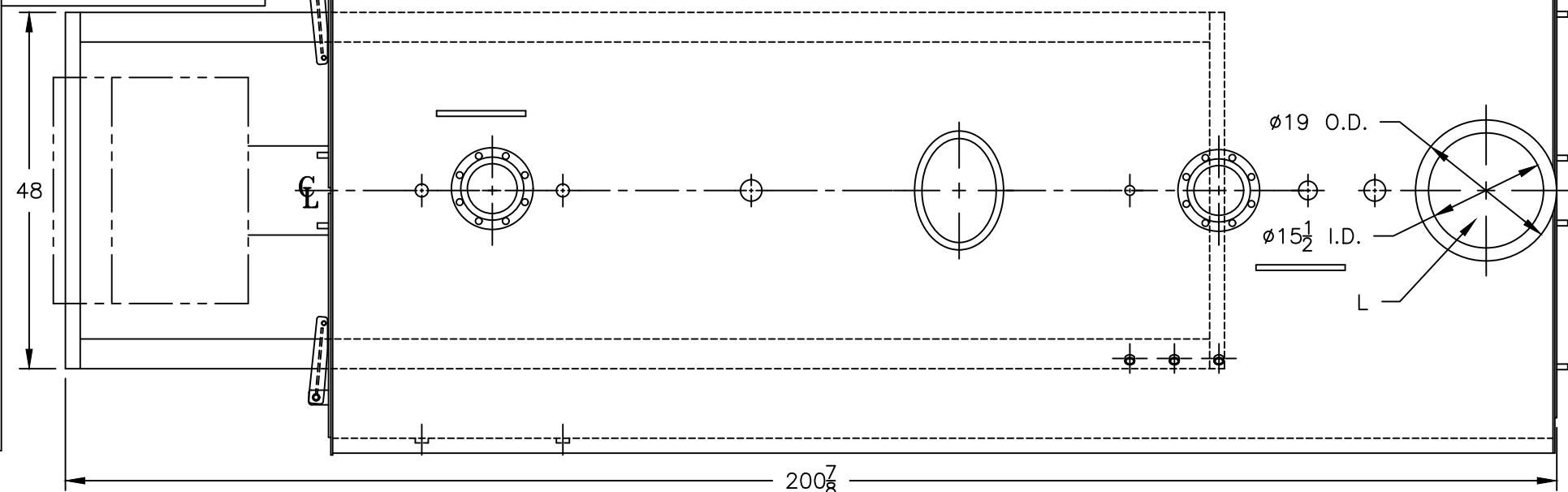
Firing Rate  
 1000 BTU Gas (MBH) - 8369  
 140000 BTU/Gal Oil (GPH) - 57.6  
 150000 BTU/Gal Oil (GPH) - 53.8

---

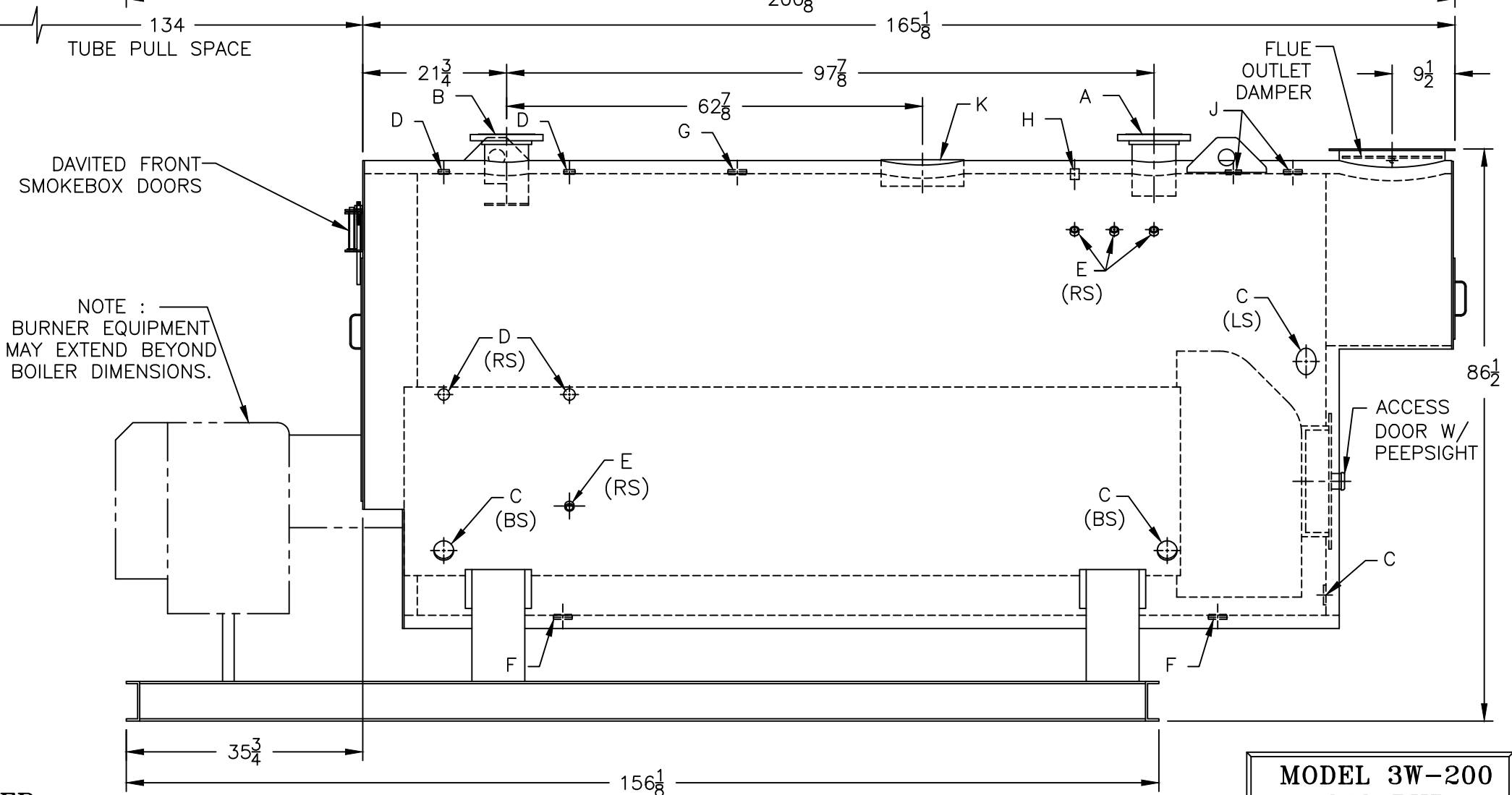
Water Content  
 Pounds - 10243  
 Gallons (U.S.) - 1250  
 Approximate Weight/LBS.  
 Dry - 12300  
 Wet - 22543

### LEGEND

BS = BOTH SIDES  
 RS = RIGHT SIDE  
 LS = LEFT SIDE



PROJECT: STANDARD BOILER



**MODEL 3W-200**  
**213 BHP**  
**30 PSI WATER**

SPECIFICATIONS SUBJECT TO CHANGE WITHOUT NOTICE ALL CONNECTIONS ARE THREADED UNLESS OTHERWISE SPECIFIED

THIS DOCUMENT CONTAINS CONFIDENTIAL INFORMATION WHICH IS THE PROPERTY OF BURNHAM COMMERCIAL. THIS DOCUMENT MAY NOT BE REPRODUCED, TRANSFERRED OR USED, OR ITS CONTENTS DISCLOSED, WITHOUT THE WRITTEN PERMISSION OF THE OWNER.