

# BURNHAM®

## Commercial Boilers

### RATINGS AND DATA

Shell Diameter : 78"  
 Gross Output - BHP : 260.3  
 Gross Output - MBH : 8714  
 Net Rating - MBH : 7577  
 Relief Valve - MBH : 10000

Heating Surface - Sq. Ft.  
 Fireside - 1250

Firetubes  
 Number - 186  
 Diameter - 2.5" O.D.

Firing Rate  
 1000 BTU Gas (MBH) - 10461  
 140000 BTU/Gal Oil (GPH) - 71.7  
 150000 BTU/Gal Oil (GPH) - 66.9

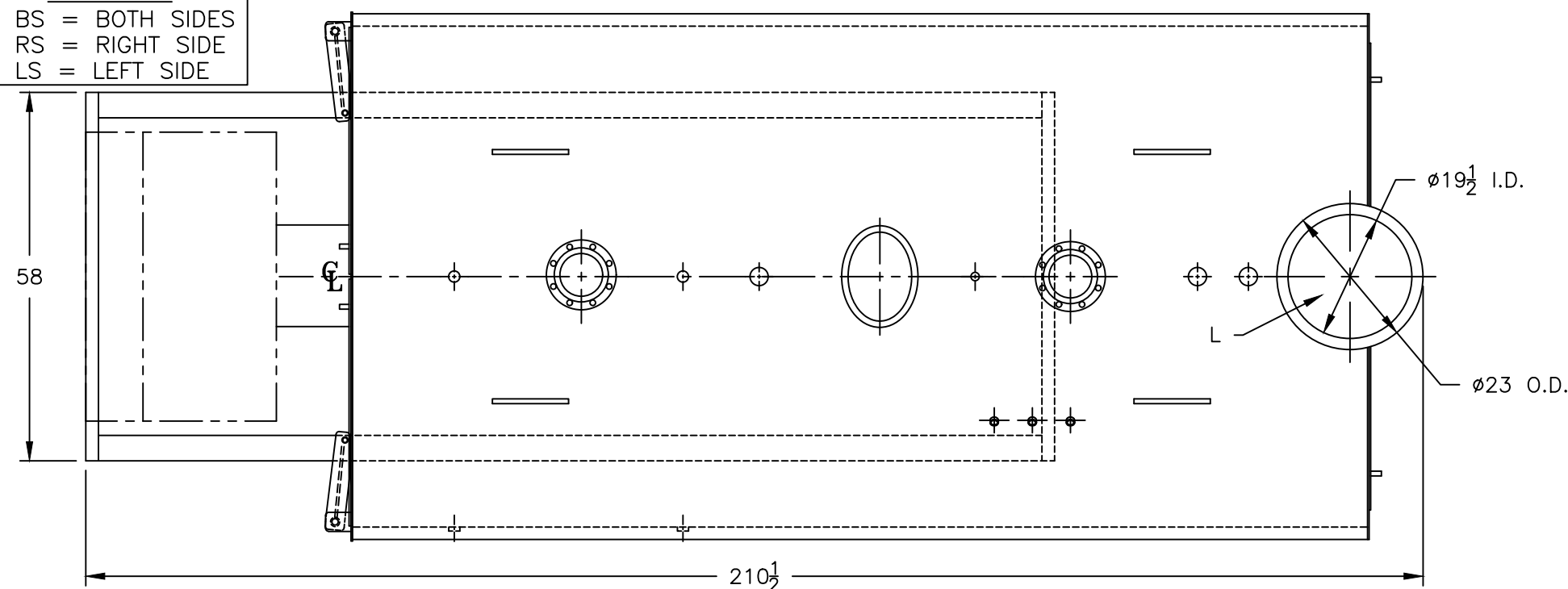
Water Content  
 Pounds - 13548  
 Gallons (U.S.) - 1626  
 Approximate Weight/LBS.  
 Dry - 15400  
 Wet - 28948

### LEGEND CONNECTIONS

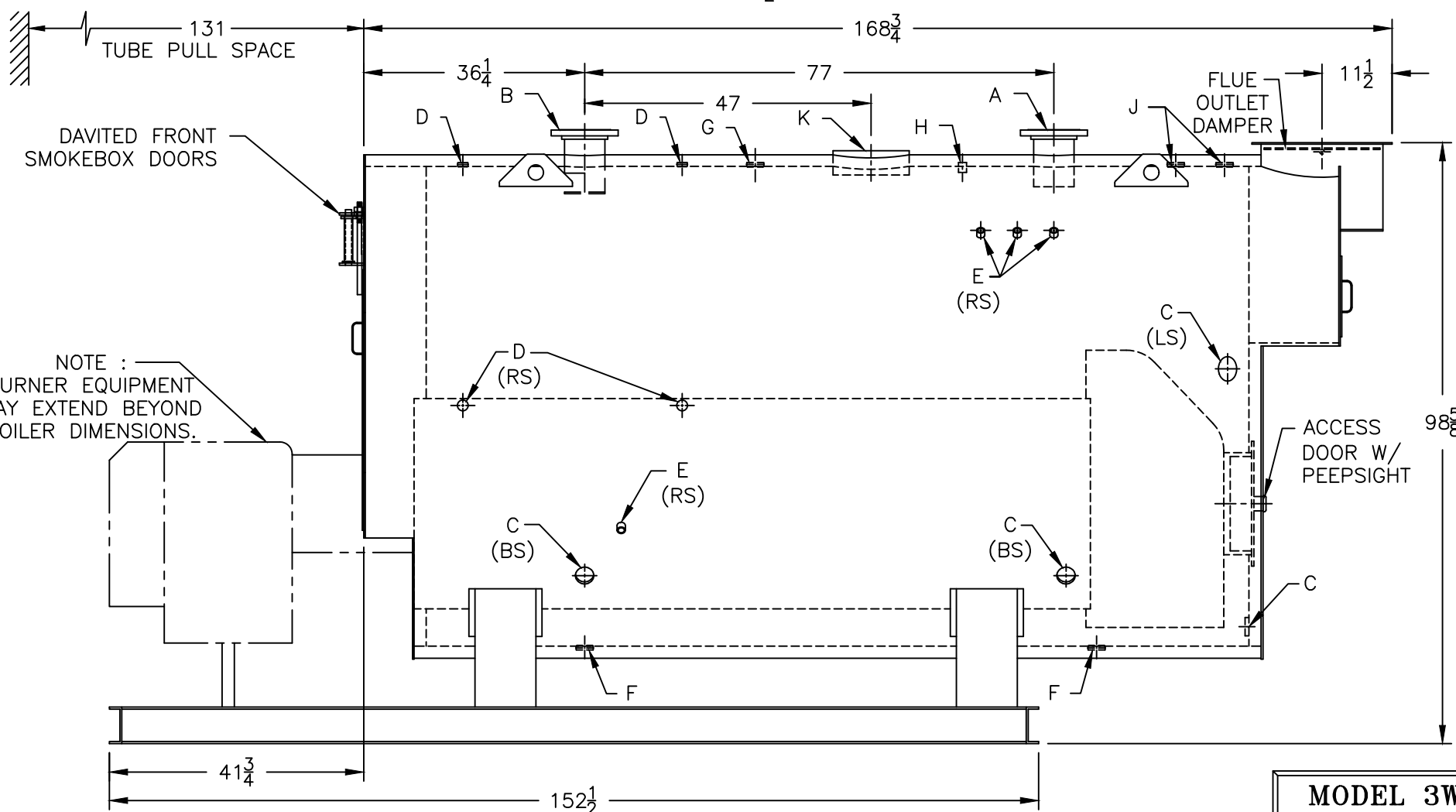
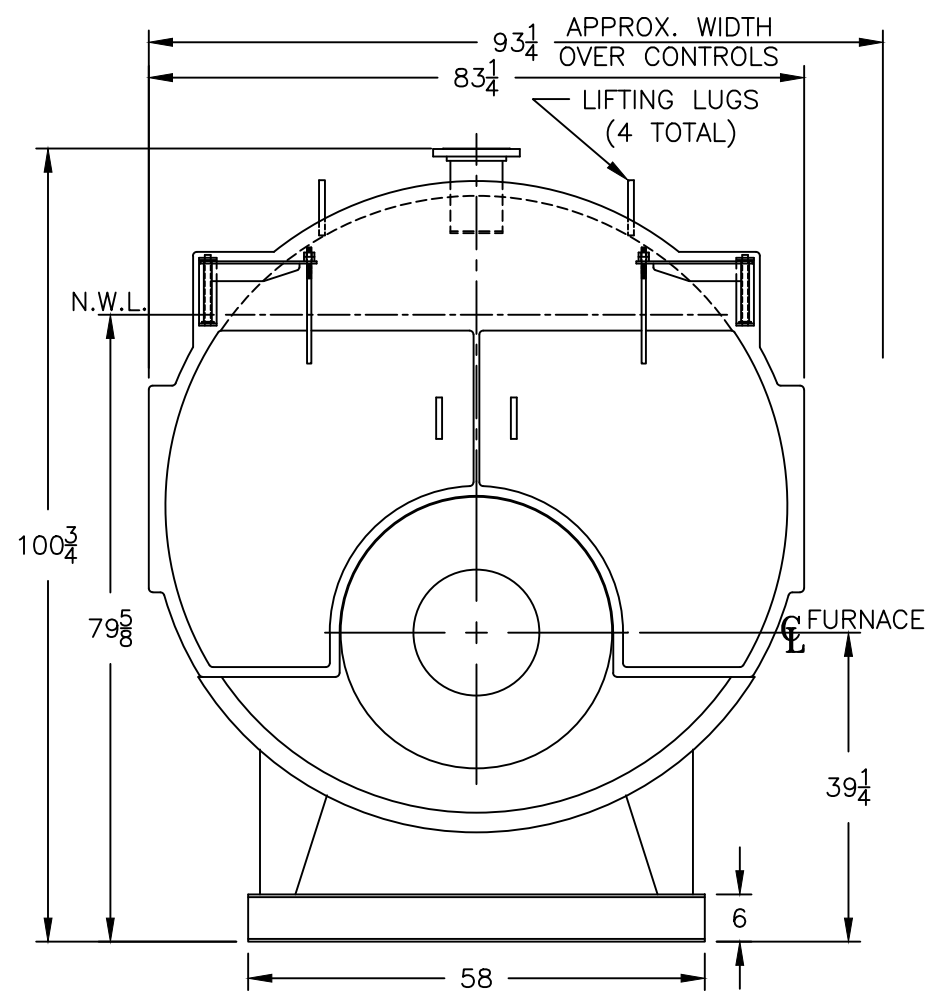
- A = 6" FLANGED SUPPLY (150#)
- B = 6" FLANGED RETURN (150#)
- C = 3" x 4" HANDHOLE
- D = 1" WATER COLUMN
- E = 3/4" AQUASTAT
- F = 2" BOTTOM DRAIN
- G = 2" EXPANSION TANK
- H = 3/4" TEMPERATURE GAUGE
- J = 2" SAFETY/RELIEF VALVE (2)
- K = 12" x 16" MANHOLE
- L = 20" NOMINAL FLUE DIAMETER

### LEGEND

- BS = BOTH SIDES
- RS = RIGHT SIDE
- LS = LEFT SIDE



### PROJECT: STANDARD BOILER



NOTE :  
 BURNER EQUIPMENT  
 MAY EXTEND BEYOND  
 BOILER DIMENSIONS.

**MODEL 3W-250**  
**260.3 BHP**  
**30 PSI WATER**