

BURNHAM®

Commercial Boilers

RATINGS AND DATA

Shell Diameter : 48"
 Gross Output - BHP : 51.6
 Gross Output - MBH : 1728
 Net Rating - MBH : 1503
 Relief Valve - MBH : 2000

Heating Surface - Sq. Ft.
 Fireside - 250

Firetubes
 Number - 92
 Diameter - 2" O.D.

Firing Rate
 1000 BTU Gas (MBH) - 2092
 140000 BTU/Gal Oil (GPH) - 14.5
 150000 BTU/Gal Oil (GPH) - 13.5

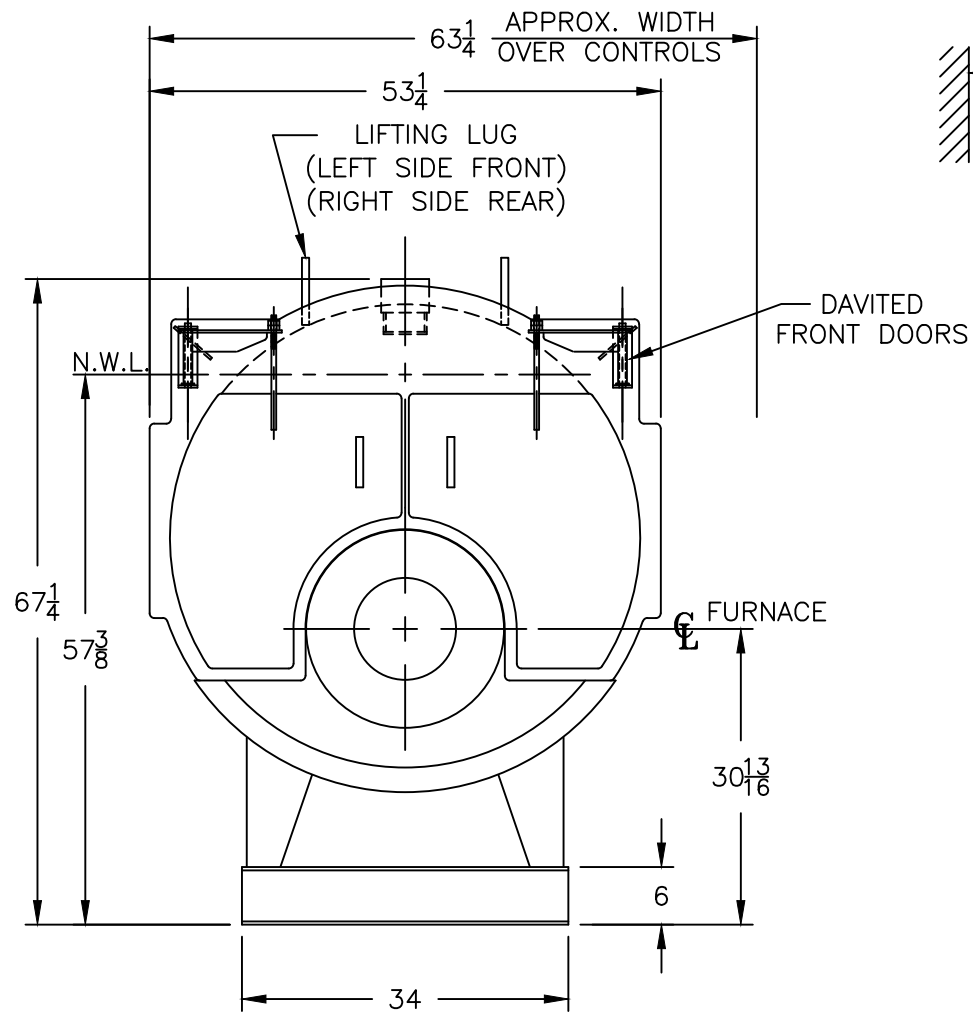
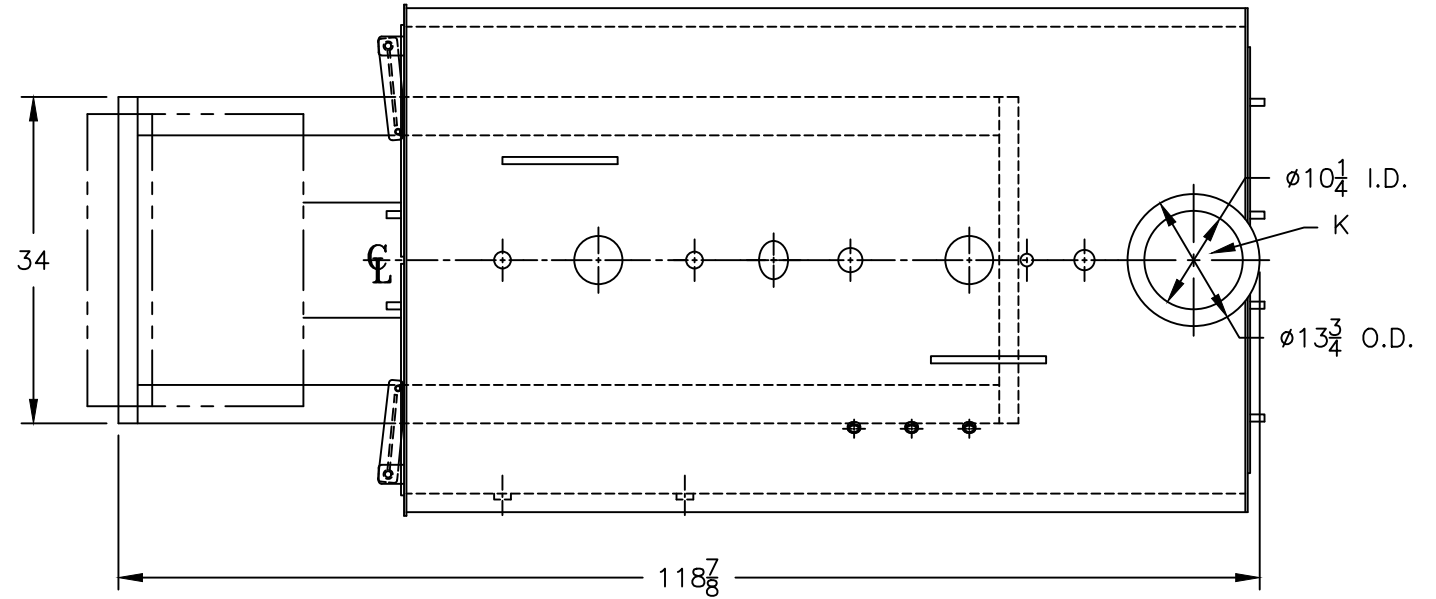
Water Content
 Pounds - 2693
 Gallons (U.S.) - 323
 Approximate Weight/LBS.
 Dry - 4380
 Wet - 7073

LEGEND

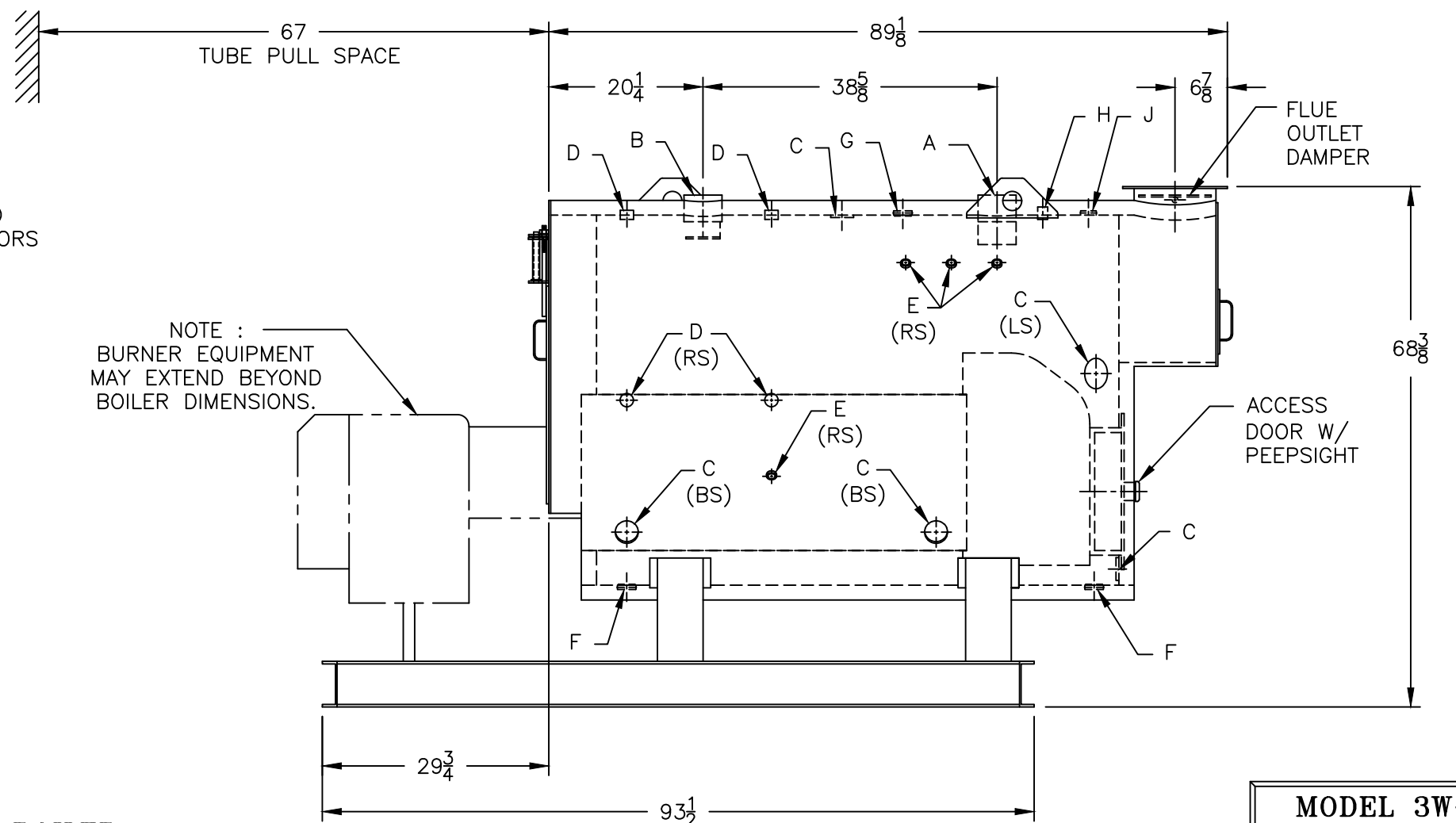
BS = BOTH SIDES
 RS = RIGHT SIDE
 LS = LEFT SIDE

LEGEND CONNECTIONS

- A = 4" SUPPLY
- B = 4" RETURN
- C = 3" x 4" HANDHOLE
- D = 1" WATER COLUMN
- E = 3/4" AQUASTAT/LFHA
- F = 1-1/2" BOTTOM BLOWDOWN
- G = 1-1/2" EXPANSION TANK
- H = 3/4" TEMPERATURE GAUGE
- J = 1-1/4" SAFETY/RELIEF VALVE
- K = 10" NOMINAL FLUE DIAMETER



PROJECT: STANDARD BOILER



MODEL 3W-50
51.6 BHP
30 PSI WATER