

# BURNHAM®

## Commercial Boilers

### RATINGS AND DATA

Shell Diameter : 102"  
 Gross Output - BHP : 524.4  
 Gross Output - MBH : 17554  
 Net Rating - MBH : 15264  
 Relief Valve - MBH : 20000

---

Heating Surface - Sq. Ft.  
 Fireside - 2500

---

Firetubes  
 Number - 362  
 Diameter - 2.5" O.D.

---

Firing Rate  
 1000 BTU Gas (MBH) - 20922  
 140000 BTU/Gal Oil (GPH) - 143.3  
 150000 BTU/Gal Oil (GPH) - 133.7

---

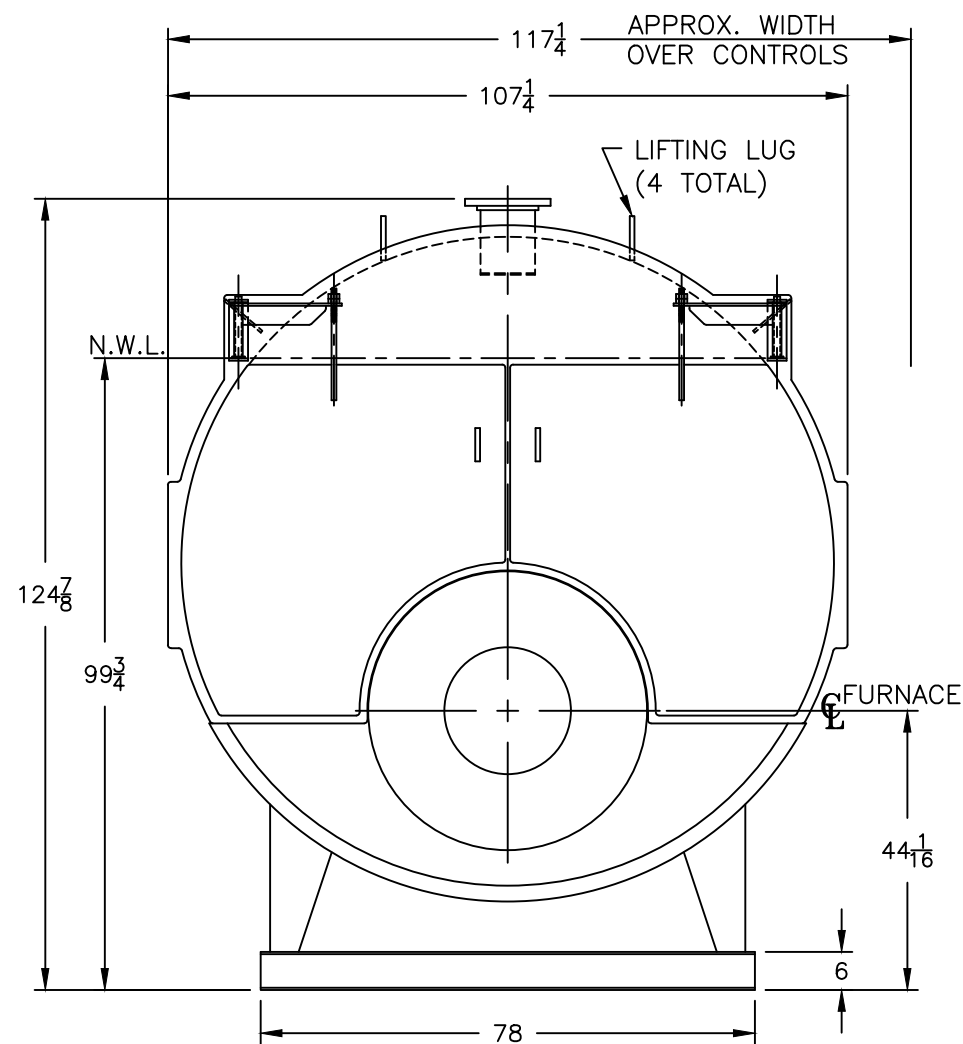
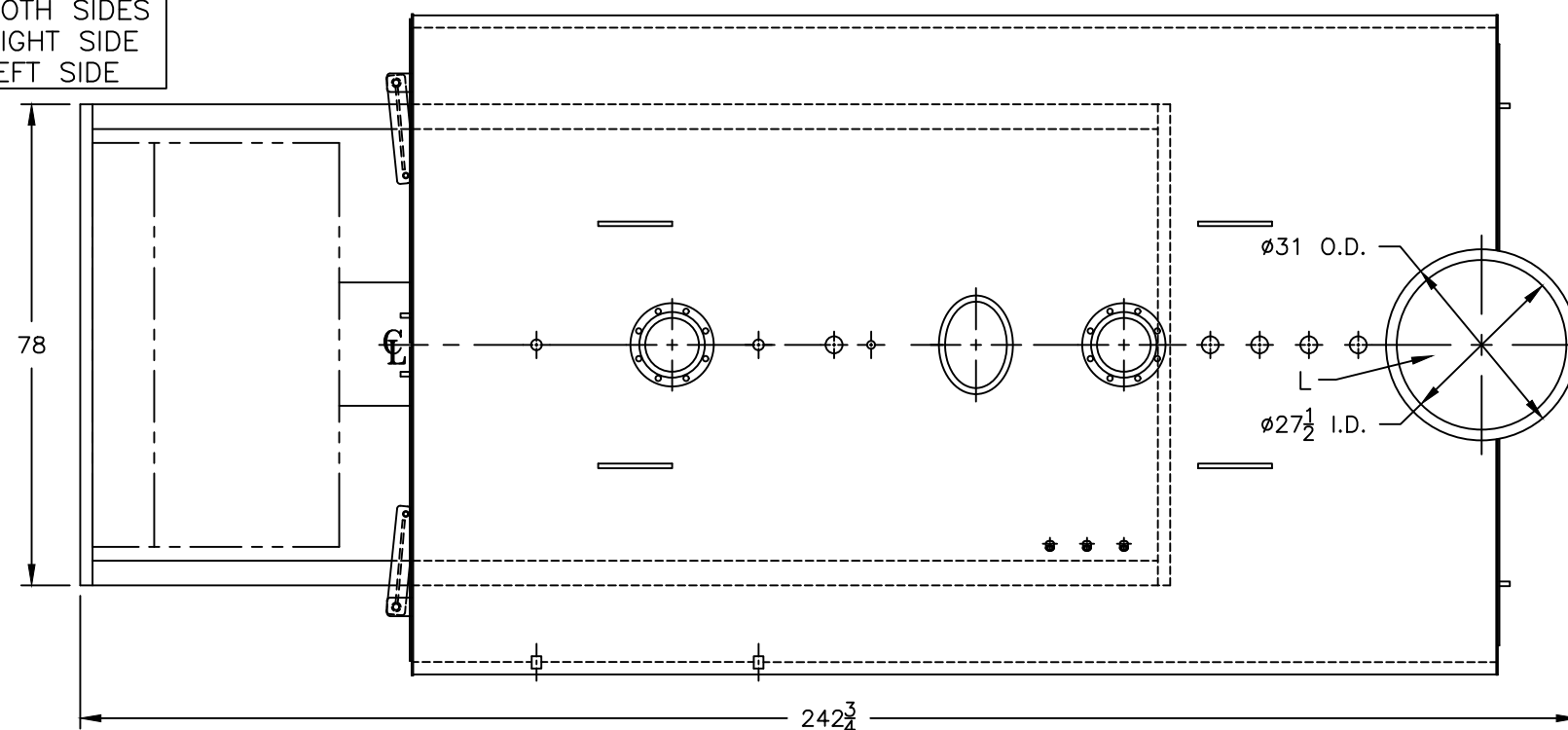
Water Content  
 Pounds - 23764  
 Gallons (U.S.) - 2853  
 Approximate Weight/LBS.  
 Dry - 27400  
 Wet - 51164

### LEGEND CONNECTIONS

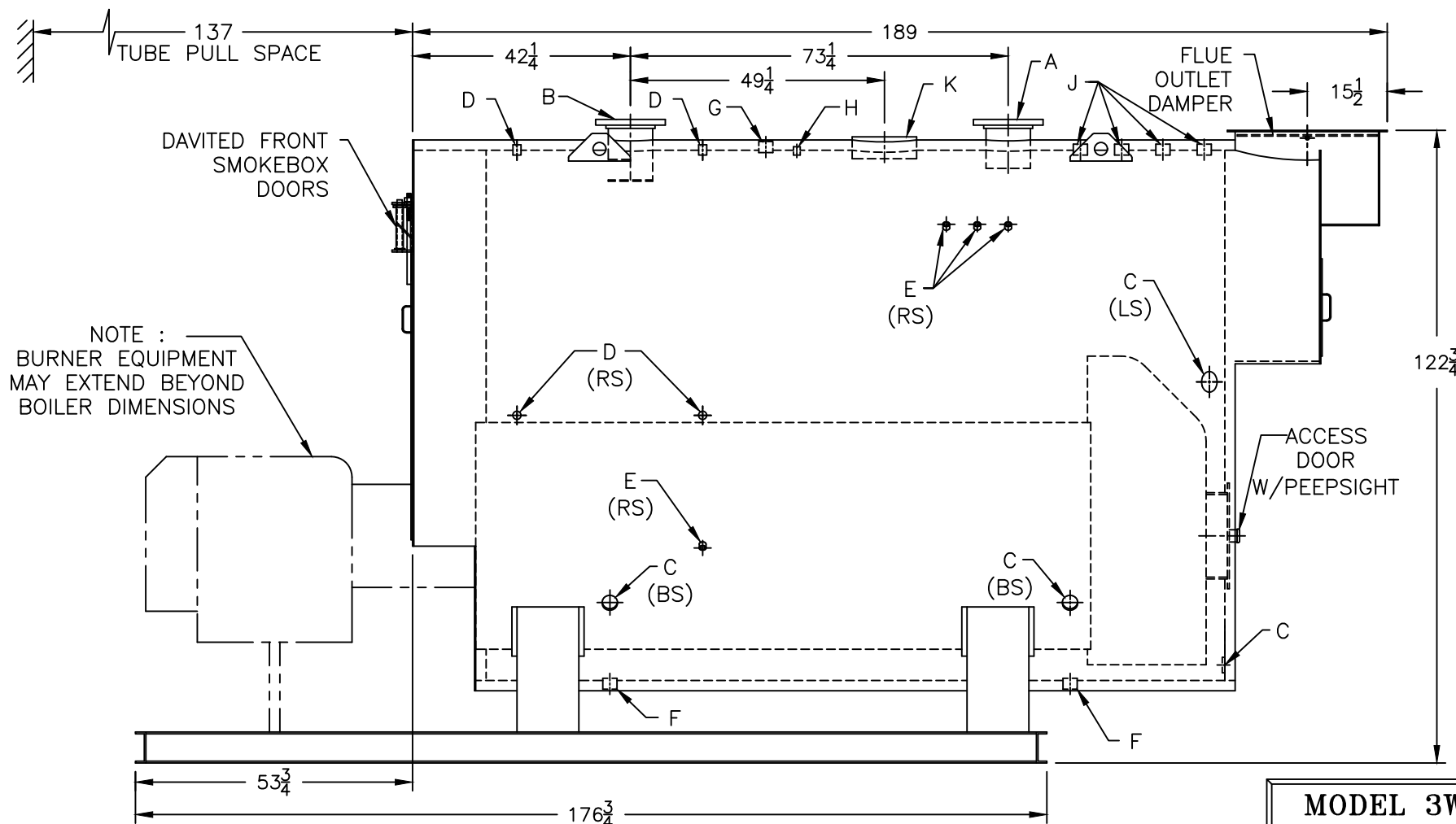
- A = 8" FLANGED SUPPLY (150#)
- B = 8" FLANGED RETURN (150#)
- C = 3" x 4" HANDHOLE
- D = 1" WATER COLUMN
- E = 3/4" AQUASTAT
- F = 2" DRAIN
- G = 2" AUXILIARY
- H = 3/4" TEMPERATURE GAUGE
- J = 2" SAFETY/RELIEF VALVE (4)
- K = 12" x 16" MANHOLE
- L = 28" NOMINAL FLUE DIAMETER

### LEGEND

- BS = BOTH SIDES
- RS = RIGHT SIDE
- LS = LEFT SIDE



PROJECT: STANDARD BOILER



**MODEL 3W-500**  
**524.4 BHP**  
**30 PSI WATER**

SPECIFICATIONS SUBJECT TO CHANGE WITHOUT NOTICE ALL CONNECTIONS ARE THREADED UNLESS OTHERWISE SPECIFIED

THIS DOCUMENT CONTAINS CONFIDENTIAL INFORMATION WHICH IS THE PROPERTY OF BURNHAM COMMERCIAL. THIS DOCUMENT MAY NOT BE REPRODUCED, TRANSFERRED OR USED, OR ITS CONTENTS DISCLOSED, WITHOUT THE WRITTEN PERMISSION OF THE OWNER.