

# BURNHAM®

## Commercial Boilers

### RATINGS AND DATA

Shell Diameter : 102"  
 Gross Output - BHP : 749.9  
 Gross Output - MBH : 25102  
 Net Rating - MBH : 21828  
 Relief Valve - MBH : 28000

---

Heating Surface - Sq. Ft.  
 Fireside - 3500

---

Firetubes  
 Number - 362  
 Diameter - 2.5" O.D.

---

Firing Rate  
 1000 BTU Gas (MBH) - 29291  
 140000 BTU/Gal Oil (GPH) - 201.7  
 150000 BTU/Gal Oil (GPH) - 188.3

---

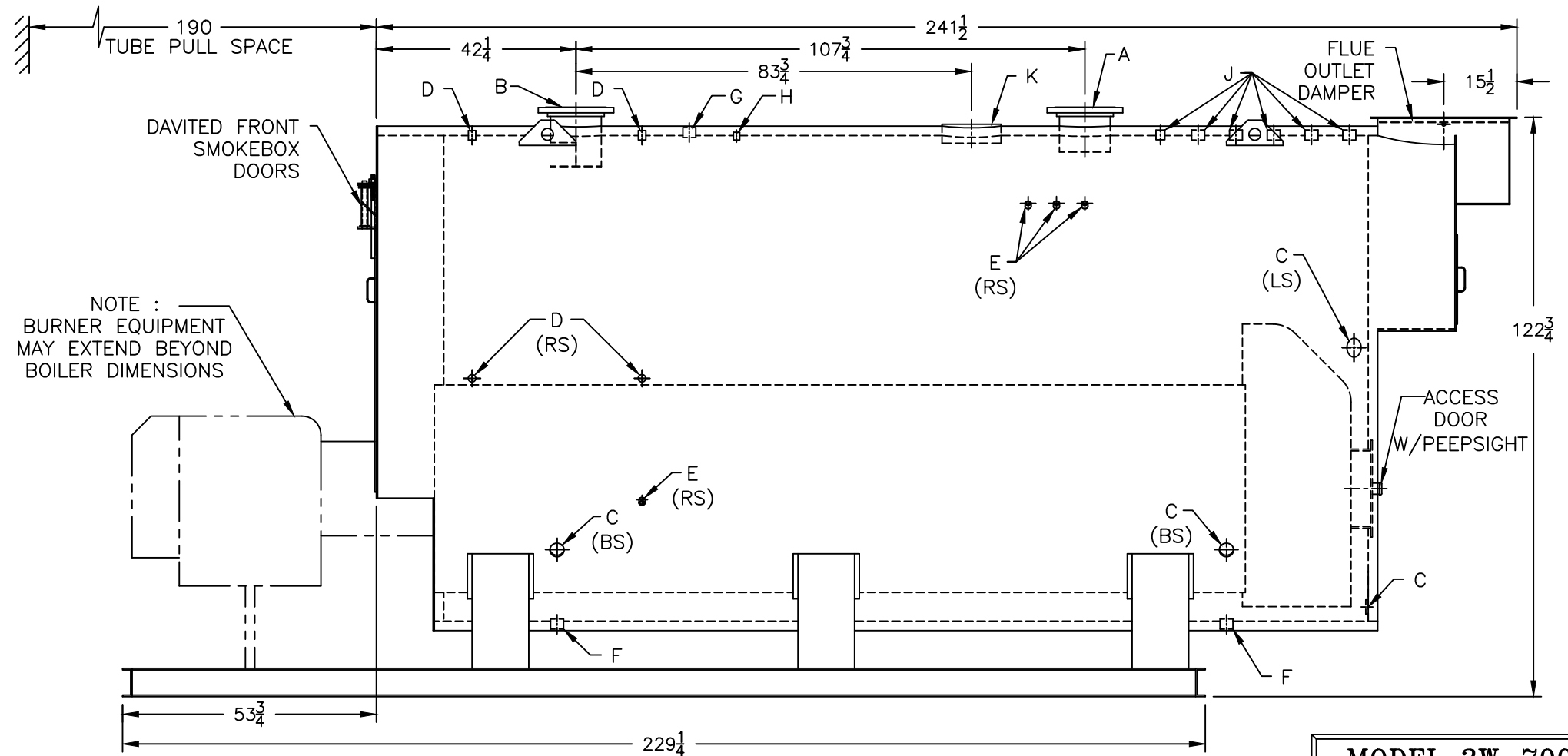
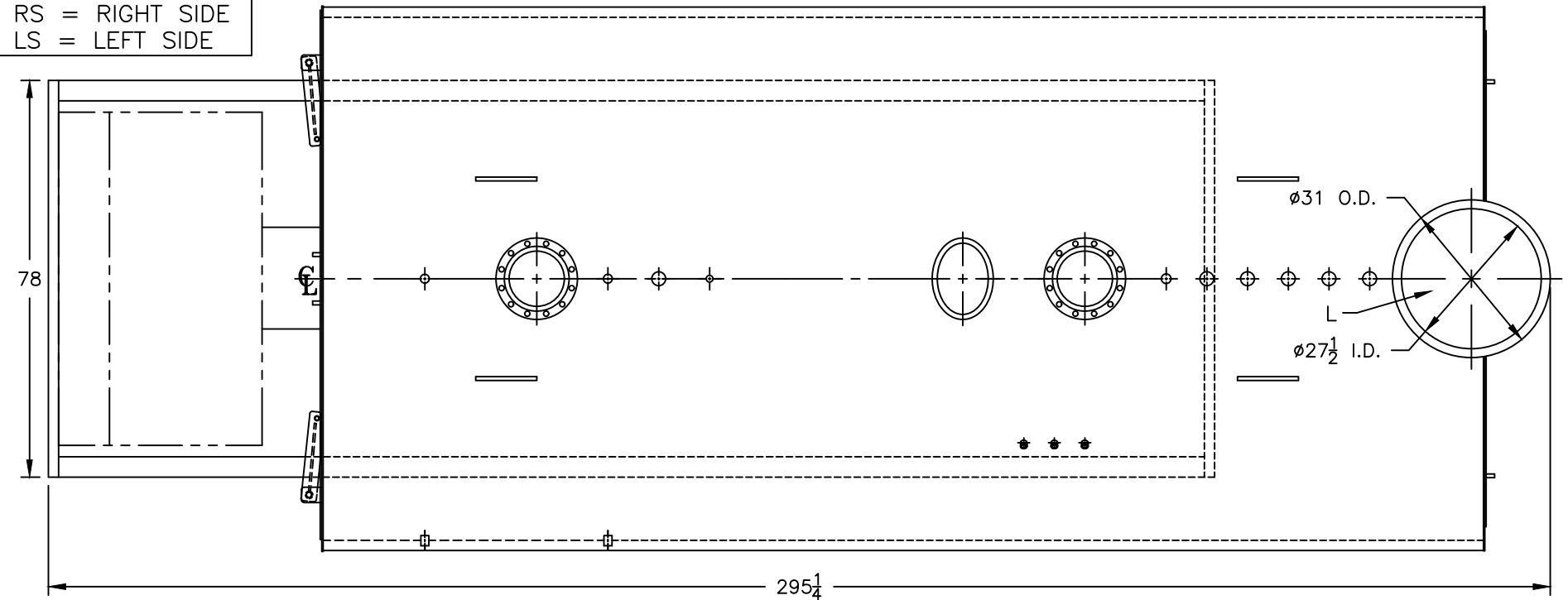
Water Content  
 Pounds - 33004  
 Gallons (U.S.) - 3962  
 Approximate Weight/LBS.  
 Dry - 35700  
 Wet - 68704

### LEGEND CONNECTIONS

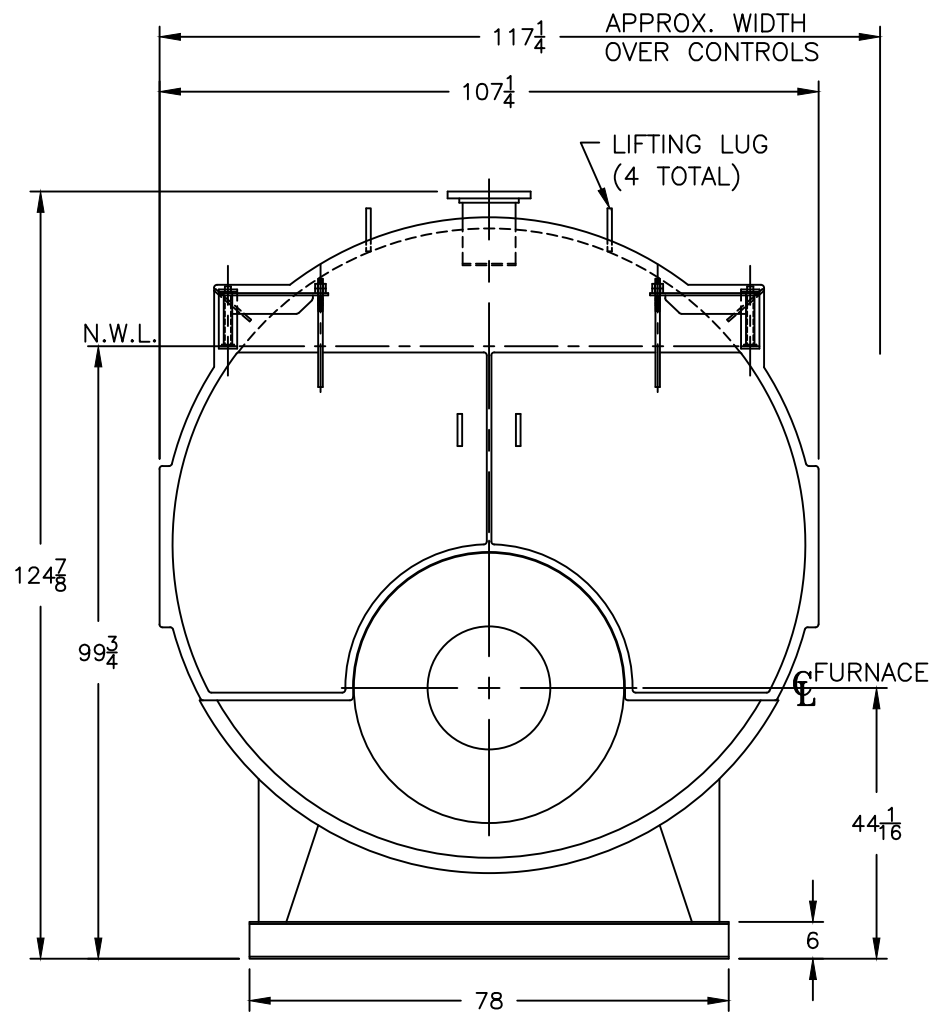
- A = 10" FLANGED SUPPLY (150#)
- B = 10" FLANGED RETURN (150#)
- C = 3" x 4" HANDHOLE
- D = 1" WATER COLUMN
- E = 3/4" AQUASTAT
- F = 2" DRAIN
- G = 2" AUXILLIARY CONNECTION
- H = 3/4" TEMPERATURE GAUGE
- J = 2" SAFETY/RELIEF VALVE (5)  
 1-1/4" SAFETY/RELIEF VALVE (1)
- K = 12" x 16" MANHOLE
- L = 28" NOMINAL FLUE DIAMETER

### LEGEND

- BS = BOTH SIDES
- RS = RIGHT SIDE
- LS = LEFT SIDE



NOTE :  
 BURNER EQUIPMENT  
 MAY EXTEND BEYOND  
 BOILER DIMENSIONS



PROJECT: STANDARD BOILER

**MODEL 3W-700**  
**749.9 BHP**  
**30 PSI WATER**

SPECIFICATIONS SUBJECT TO CHANGE WITHOUT NOTICE ALL CONNECTIONS ARE THREADED UNLESS OTHERWISE SPECIFIED

THIS DOCUMENT CONTAINS CONFIDENTIAL INFORMATION WHICH IS THE PROPERTY OF BURNHAM COMMERCIAL. THIS DOCUMENT MAY NOT BE REPRODUCED, TRANSFERRED OR USED, OR ITS CONTENTS DISCLOSED, WITHOUT THE WRITTEN PERMISSION OF THE OWNER.