

# BURNHAM®

## Commercial Boilers

### RATINGS AND DATA

Shell Diameter : 54"  
 Gross Output - BHP : 94.2  
 Gross Output - MBH : 3152  
 Net Rating - MBH : 2741  
 Relief Valve - MBH : 3600

---

Heating Surface - Sq. Ft.  
 Fireside - 450

---

Firetubes  
 Number - 106  
 Diameter - 2" O.D.

---

Firing Rate  
 1000 BTU Gas (MBH) - 3766  
 140000 BTU/Gal Oil (GPH) - 25.9  
 150000 BTU/Gal Oil (GPH) - 24.2

---

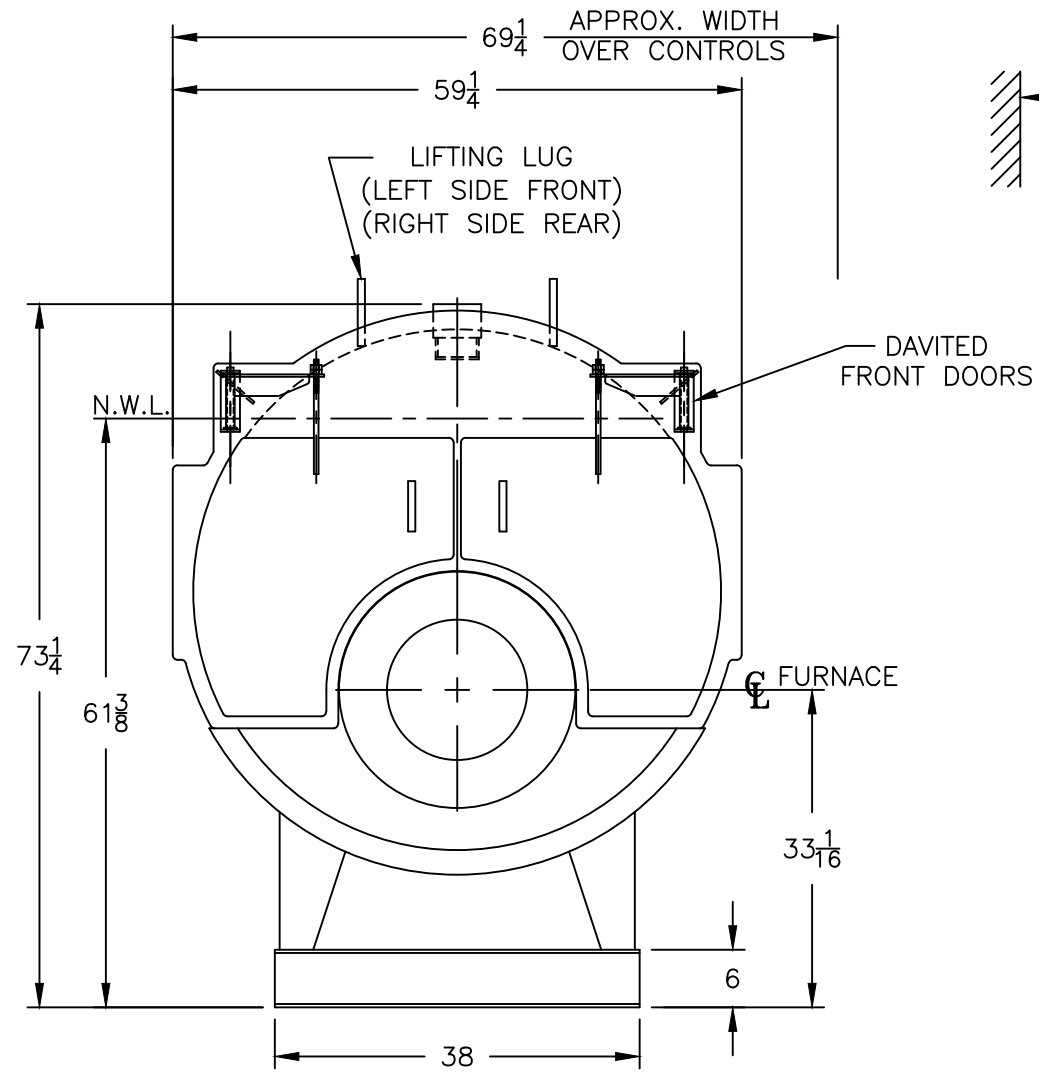
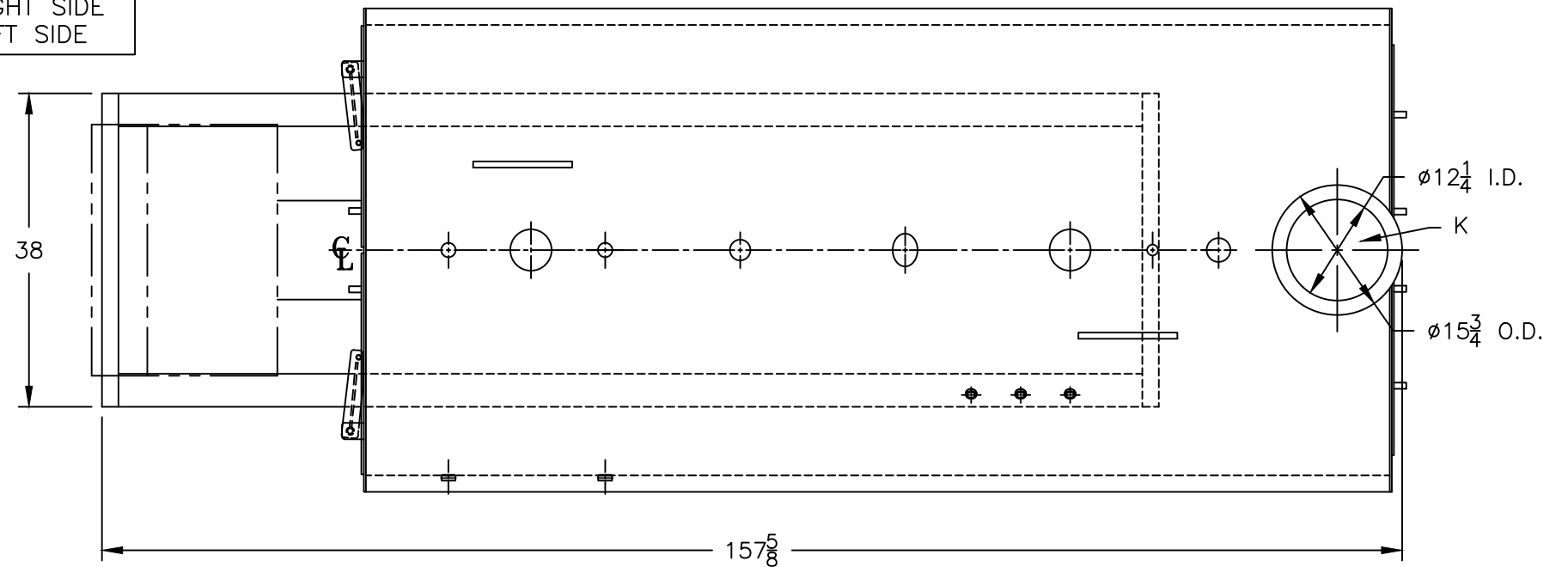
Water Content  
 Pounds - 5244  
 Gallons (U.S.) - 629  
 Approximate Weight/LBS.  
 Dry - 6400  
 Wet - 11644

### LEGEND

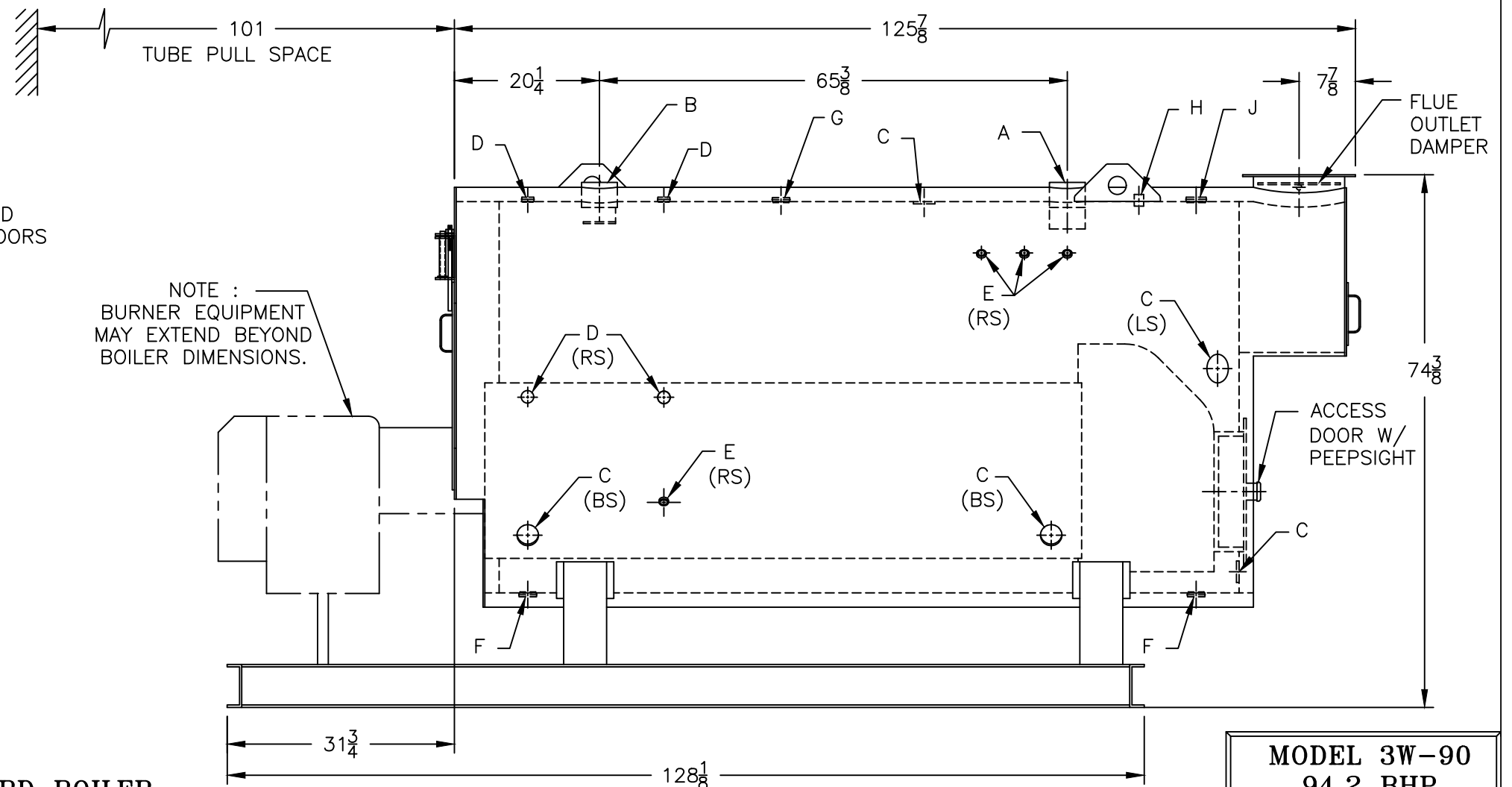
BS = BOTH SIDES  
 RS = RIGHT SIDE  
 LS = LEFT SIDE

### LEGEND CONNECTIONS

A = 4" SUPPLY  
 B = 4" RETURN  
 C = 3" x 4" HANDHOLE  
 D = 1" WATER COLUMN  
 E = 3/4" AQUASTAT  
 F = 1-1/2" BOTTOM BLOWDOWN  
 G = 1-1/2" EXPANSION TANK  
 H = 3/4" TEMPERATURE GAUGE  
 J = 2" SAFETY/RELIEF VALVE  
 K = 12" NOMINAL FLUE DIAMETER



PROJECT: STANDARD BOILER



NOTE :  
 BURNER EQUIPMENT  
 MAY EXTEND BEYOND  
 BOILER DIMENSIONS.

**MODEL 3W-90**  
**94.2 BHP**  
**30 PSI WATER**