

BURNHAM®

Commercial Boilers

RATINGS AND DATA

Shell Diameter : 118"
 Gross Output - BHP : 1200
 Gross Output - MBH : 40170
 Gross Output - Lbs/Hr : 41400
 Net Rating - MBH : 31188
 Net Rating - Sq. Ft. : 129950
 Safety Valve - Lbs/Hr. : 46862

Heating Surface - Sq. Ft.
 Fireside - 6000
 Firetubes
 Number - 454
 Diameter - 2.5" O.D.

Firing Rate
 1000 BTU Gas (MBH) - 50213
 140000 BTU/Gal Oil (GPH) - 358.7
 150000 BTU/Gal Oil (GPH) - 334.8

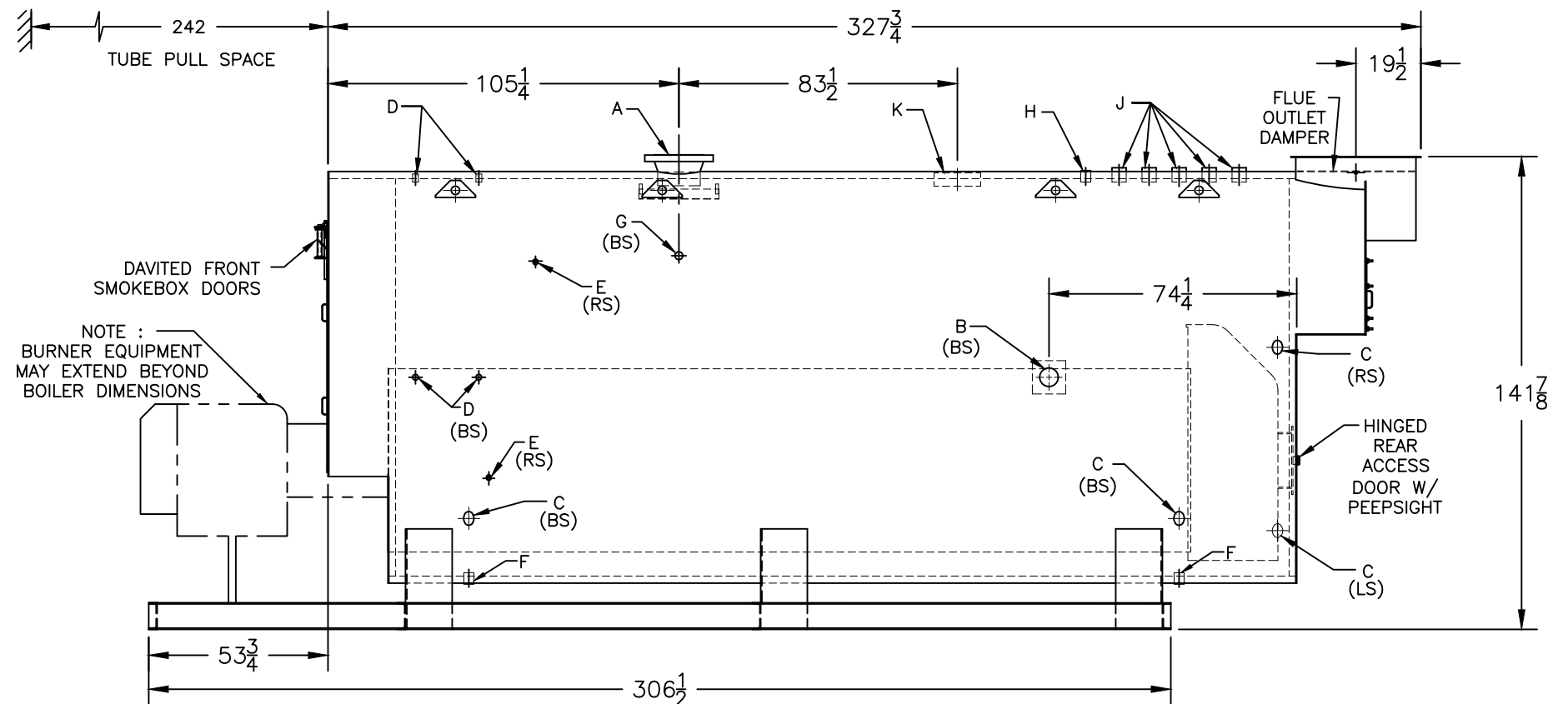
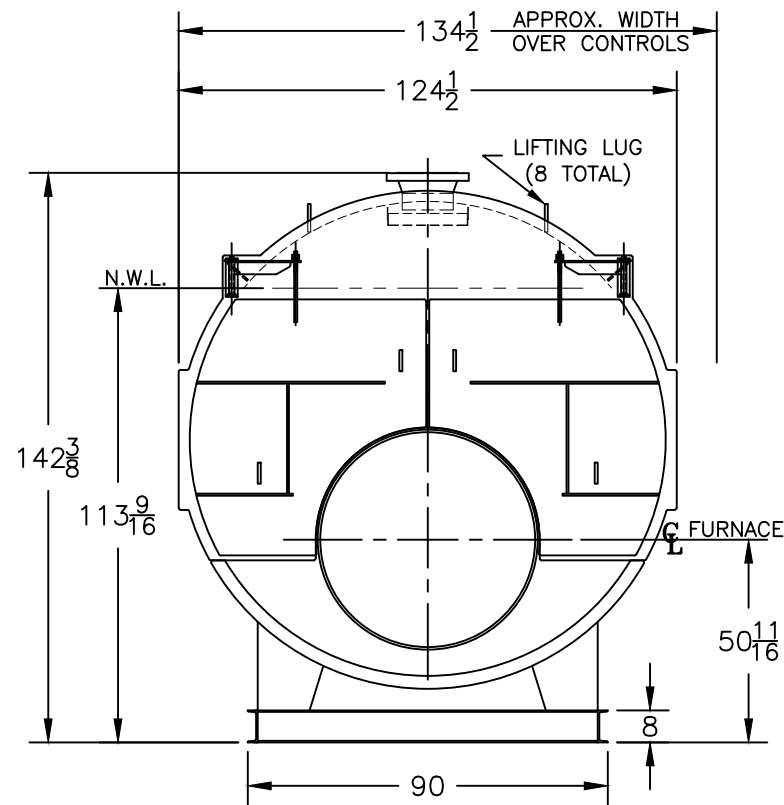
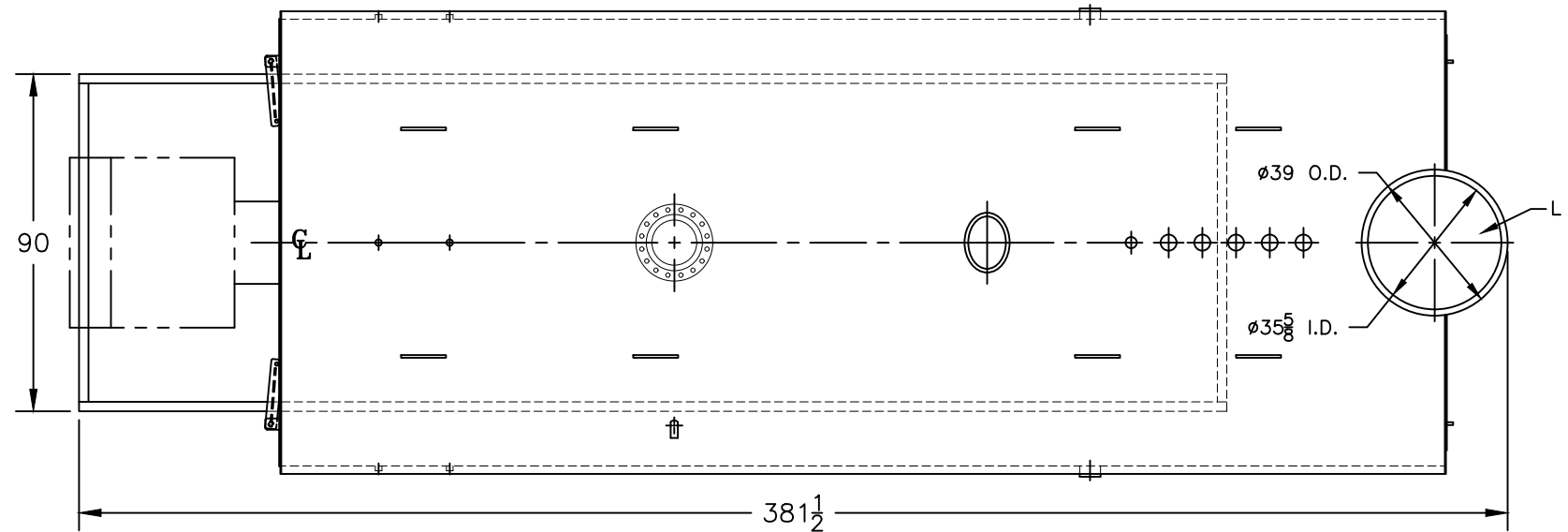
Water Content
 Pounds - 45000
 Gallons (U.S.) - 5400
 Approximate Weight/LBS.
 Dry - 75000
 Wet - 120000

LEGEND

BS = BOTH SIDES
 RS = RIGHT SIDE

LEGEND CONNECTIONS

- A = 12" FLANGED SUPPLY (300#)
- B = 4" RETURN
- C = 3" x 4" HANDHOLE
- D = 1" WATER COLUMN
- E = 3/4" AQUASTAT
- F = 2" BOTTOM BLOWDOWN
- G = 2" SURFACE BLOWOFF
- H = 2" AUXILIARY CONNECTION
- J = 3" SAFETY VALVE (5)
- K = 12" x 16" MANHOLE
- L = 36" NOMINAL FLUE DIAMETER



NOTE :
 BURNER EQUIPMENT
 MAY EXTEND BEYOND
 BOILER DIMENSIONS

PROJECT: STANDARD BOILER

MODEL 3P-1200
 1200 BHP
 150 PSI STEAM